

Mercedes-Benz

S-Class Facelift

Model Year 807

From July 2026 production





Model Overview



Colours



Optional Equipment

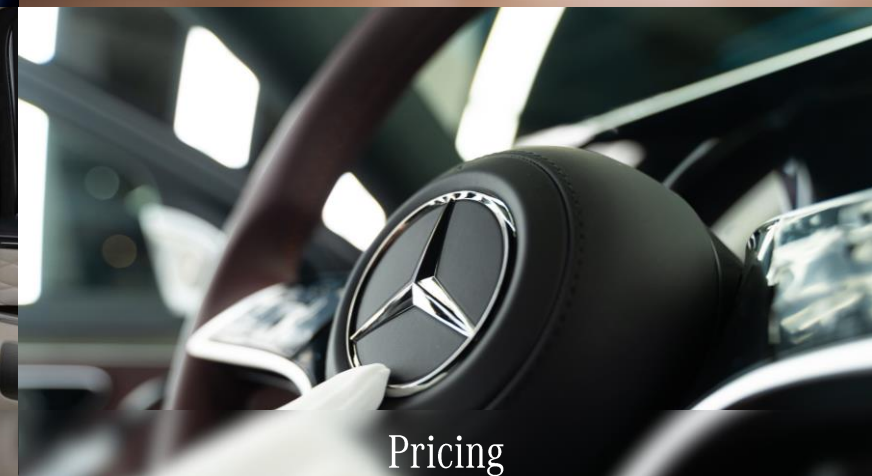
Upholsteries & Trim



Wheels



Optional Equipment



Pricing



Standard Equipment



Technical Data



Further Information



Digital Extras



Services & Insurance



Roadside Assistance



Home Charging - Ohme



Home Charging - Pod



MB.CHARGE Public



Online Showroom



Configurator



Genuine Accessories

Model Overview



AMG Line Premium



AMG Line Premium Plus



AMG Line Premium Plus Executive



AMG Line
Premium





Exterior Highlights

- 20" AMG cross-spoke light-alloy wheels [1]
- DIGITAL LIGHT with Adaptive High beam Assist Plus [2]
- Panoramic sliding sunroof [3]
- Rear axle steering with 4.5° steering angle adjustment
- Privacy Glass
- GUARD 360° break-in resistant heat- and noise-insulated laminated safety glass (S500 and S580e only)

Interior Highlights

- Multifunction sports steering wheel in nappa leather with flat bottom [6]
- KEYLESS-GO with flush-fitting door handles [4]
- MBUX Superscreen - High-resolution 14.4" central media display, passenger display with 12.3" screen and visual shield function, selfie and video camera [5]
- Heated front seats
- Memory seat package - memory function for seats, steering column, mirrors with 3 memory positions [7]
- 4-way lumbar support
- Luxury head restraints in the front
- Ambient lighting Plus with directly and indirectly illuminated light lines, 64 colours and 10 colour schemes
- THERMOTRONIC 2-zone climate control - driver and front passenger can set the temperature separately for each side



Technology Highlights

- Dashcam
- PRE-SAFE PLUS incl. PRE-SAFE Impulse Side
- Mercedes-Benz sound system with 10 speakers
- GUARD 360 vehicle protection plus
- MB.DRIVE ASSIST - Lane Change Assist, Steering Assist
- MBUX augmented reality for navigation
- Wireless charging front
- Active Park Assist with PARKTRONIC and 360 camera [8]





AMG Line
Premium Plus



Some of the model features, optional extras and colours shown may not be available, or may be available in a different specification, or at a different price. Option shown: Nappa leather macchia fidele / macchia grey.



Exterior Highlights

- 21" AMG multi-spoke light-alloy wheels (S350d and S500 only) [1]
- 20" AMG cross-spoke light-alloy wheels (S450e and S580e only) [3]
- Heat and noise-insulating acoustic glass (S350d and S450e only)
- MAGIC VISION CONTROL [6]

Interior Highlights

- ENERGIZING AIR CONTROL
- AIR BALANCE package - Individual fragrancing and ionisation of the vehicle interior.
- Active ambient lighting, including visualisation of music, driver assistance systems and other vehicle functions [2]
- Heated seat belts - front
- Rear Seat Memory Package - 3 storable settings for the outer rear seats
- Climatised front seats
- Warmth comfort package - heated armrests for the driver and front passenger, seat heating plus provides faster seat cushion and backrest heat with separate controls [4]
- Heated windscreen
- Heated steering wheel



Technology Highlights

- Head-up display [5]
- Burmester® 3D surround sound system - 17 speakers and 4 exciters, 730-watt system output and Dolby Atmos® [7]





AMG Line
Premium Plus
Executive



Some of the model features, optional extras and colours shown may not be available, or may be available in a different specification, or at a different price. Option shown: Nappa leather macchia beige / macchia grey.



Interior Highlights

- Warmth comfort package Plus - Maximum thermal comfort with steering wheel heater [1], heated front seat belts and heated front and rear armrests [6]
- THERMOTRONIC 4-zone climate control - driver, front passenger and rear passengers can decide the temperature and air distribution in 4 zones independently [7]
- Climatized rear seats - 3-stage seat ventilation and heating for a pleasant seat climate [2]
- Rear Comfort Package - Designer belt buckles front and rear [4], sidebags in rear, rear airbag, MBUX remote control in the rear [3], wireless charging system for mobile devices in the rear [3], 2 USB ports in the rear [5]



Personalisation



Obsidian Black metallic
[197] - Standard



Nautical Blue metallic
[595] - No-cost option



High-Tech Silver metallic
[922] - No-cost option



Emerald Green metallic
[989] - No-cost option



Graphite Grey metallic
[831] - No-cost option



Verde Silver metallic
[188] - No-cost option



Velvet Brown metallic
[771] - No-cost option



Warm Grey non-metallic
[715] - No-cost option

Personalisation



Manufaktur

Opalite White magno

[659] - £5,000



Manufaktur

Opalite White Bright metallic

[885] - £1,000



Manufaktur

Kalahari Gold metallic

[802] - £3,000

Personalisation



Nappa Leather¹ macchiato beige / magma grey [825A]

AMG Line Premium	✓
AMG Line Premium Plus	✓
AMG Line Premium Plus Executive	✓



Nappa Leather¹ beech brown / black [824A]

AMG Line Premium	○
AMG Line Premium Plus	○
AMG Line Premium Plus Executive	○



Nappa Leather¹ black [823A]

AMG Line Premium	○
AMG Line Premium Plus	○
AMG Line Premium Plus Executive	○



Exclusive Package [P34]

The Exclusive package gives your interior an individual look. Additional decorative elements and an ambient lighting strip on the backs of the front seat backrests increase the ambience of the interior.

- Additional ambient lighting strip on the backs of the front seat backrests
- Additional trim elements on the backs of the front seat backrests
- Boot loading sill in stainless steel, chrome handle in the boot floor
- Exclusive nappa leather including, instrument panel including glove box housing, centre console, front and rear door trim, rear centre armrest and grab handles
- Roof liner and sun visors in MICROCUT microfibre
- Exclusive trim package
 - Exclusive accents in the rear: Additional trim elements on the backs of the front seat backrests and on the folding armrest

In conjunction with Exclusive nappa leather¹ interiors on AMG Line Premium Plus Executive.

Optional equipment may change the CO₂ value, please check your desired specification on the configurator.

AMG Line Premium

–

AMG Line Premium Plus

–

AMG Line Premium Plus Executive

•

Some of the model features, optional extras and colours shown may not be available, or may be available in a different specification, or at a different price. Optional equipment may change the CO₂ value, please check your desired specification on the online configurator.

✓ indicates standard equipment, ○ indicates optional at no extra cost, – indicates not available. Price indicates optional at the cost shown.¹ 100% of the seat upholstery is pure leather. Price shown inclusive of VAT.

Personalisation



Exclusive Package Nappa Leather
macchiato beige / magma grey

[525A] - £3,500



Exclusive Package Nappa Leather beech
brown

[524A] - £3,500



Exclusive Package Nappa Leather black

[523A] - £3,500

MANUFAKTUR exclusive paints and upholsteries

Crafted with meticulous attention to detail, MANUFAKTUR's exclusive paint finishes and nappa leather options elevate the S-Class with exceptional craftsmanship and the highest level of personalisation, offering colours and materials as individual as their owner. Together, these bespoke exterior and interior choices transform the S-Class into a truly unique expression of personal style and refined luxury.

Explore our configurator or speak to your local Mercedes-Benz Agent to view all MANUFAKTUR exclusive paint finishes and MANUFAKTUR exclusive nappa leather options. Please note that vehicles ordered with MANUFAKTUR exclusive paint or nappa leather may require a longer lead time, your local Mercedes-Benz Agent can provide full details.

MANUFAKTUR exclusive paints

£10,200

AMG Line Premium	•
AMG Line Premium Plus	•
AMG Line Premium Plus Executive	•

MANUFAKTUR exclusive nappa leathers

£9,500

Only available with Rear Comfort Package Plus [DRL]

AMG Line Premium	–
AMG Line Premium Plus	–
AMG Line Premium Plus Executive	•



Personalisation



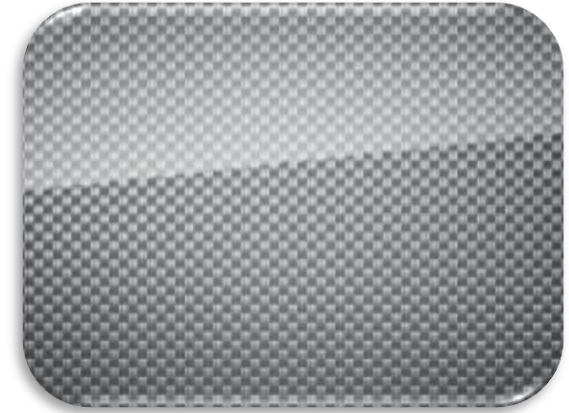
Anthracite open-pore oak wood trim elements [22H]

AMG Line Premium	✓
AMG Line Premium Plus	✓
AMG Line Premium Plus Executive	✓



Open-pore amber brown wood trim with fishbone pattern [23H] - £460

AMG Line Premium	•
AMG Line Premium Plus	•
AMG Line Premium Plus Executive	•



Trim elements with high-gloss silver metallic mixed fabric [73H] - £460

AMG Line Premium	•
AMG Line Premium Plus	•
AMG Line Premium Plus Executive	•



MANUFAKTUR brown open-pore walnut wood trim with aluminium lines [H38] - £3,350

AMG Line Premium	•
AMG Line Premium Plus	•
AMG Line Premium Plus Executive	•

Personalisation



20" AMG cross-spoke light-alloy wheels painted himalayas grey with high-sheen finish [RTV/RTM]

AMG Line Premium	<input checked="" type="checkbox"/>
AMG Line Premium Plus	<input type="checkbox"/>
AMG Line Premium Plus Executive	<input type="checkbox"/>
AMG Line Premium Plus/Premium Plus Executive S450 e and S580 e	<input checked="" type="checkbox"/>



20" AMG cross-spoke light-alloy wheels painted high-gloss black with high-sheen finish [RTW/RTN]

AMG Line Premium	£300
AMG Line Premium Plus	<input type="checkbox"/>
AMG Line Premium Plus Executive	<input type="checkbox"/>
AMG Line Premium Plus/Premium Plus Executive S450 e and S580 e	<input type="checkbox"/>



21-inch AMG multi-spoke light-alloy wheels painted himalayas grey with high-sheen finish [RWK]

AMG Line Premium	-
AMG Line Premium Plus	<input checked="" type="checkbox"/>
AMG Line Premium Plus Executive	<input checked="" type="checkbox"/>
AMG Line Premium Plus/Premium Plus Executive S450 e and S580 e	-



21-inch AMG multi-spoke light-alloy wheels painted high-gloss black with high-sheen rim flange [RWJ]

AMG Line Premium	-
AMG Line Premium Plus	<input type="checkbox"/>
AMG Line Premium Plus Executive	<input type="checkbox"/>
AMG Line Premium Plus/Premium Plus Executive S450 e and S580 e	-

✓ indicates standard equipment, ○ indicates optional at no extra cost, - indicates not available, ● indicates a cost option. Price indicates optional at the cost shown. Price shown inclusive of VAT.



Rear Comfort Package Plus [DRL]

£7,950

The Rear Comfort Package Plus enhances the comfort of the rear cabin. The package consists of:

- Adaptive rear compartment lighting
- Beltbag
- Executive seat
- Chauffeur Package - EASY ADJUST luxury head restraints for driver and front passenger with Chauffeur position for front passenger seat
- Sun Protection Package - electric sunblinds in rear doors, left and right and Electric sunblind for rear window
- Rear Massage Package - Neck and shoulder heating in the rear, Calf massage in the rear, Multicontour Seat Package with massage function pro in the rear
- Belt feeders in the rear

Transform the rear cabin into an opulent sanctuary of relaxation. With the Executive seat and Chauffeur Package, you can fully recline and stretch out in unparalleled comfort. Indulge in a revitalizing massage from the multicontour seats, while adaptive rear lighting casts a soothing glow. Discreet electric sun blinds and thoughtful seat belt extenders complete this exclusive, wellness-focused experience.

AMG Line Premium	-
AMG Line Premium Plus	-
AMG Line Premium Plus Executive	•

✓ indicates standard equipment, ○ indicates optional at no extra cost, - indicates not available, • indicates a cost option. Price indicates optional at the cost shown. Price shown inclusive of VAT.

Some of the model features, optional extras and colours shown may not be available, or may be available in a different specification, or at a different price. Optional equipment may change the CO2 value, please check your desired specification on the online configurator.



MBUX High-End Rear Seat Entertainment System [854]

£3,995

Only in conjunction with DRL package

The MBUX High-End Rear Seat Entertainment Package consists of:

- Two permanently integrated, high-resolution 13.1-inch displays with two wireless headphones
 - Multi-touch operation
 - Sound output from vehicle speakers or headphones
 - 384 GB internal memory
 - integrated camera on both displays
- Access to vehicle functions while driving
 - MBUX multimedia system, including TV streaming via the Internet, radio, media, web browser and app store
 - Telephony
 - Trip information, including navigation display
 - Digital Extras*
- Various connection options
 - HDMI
 - Headphone jack (3.5 mm)
 - Bluetooth Audio
 - USB

AMG Line Premium	-
AMG Line Premium Plus	-
AMG Line Premium Plus Executive	•

Some of the model features, optional extras and colours shown may not be available, or may be available in a different specification, or at a different price. Optional equipment may change the CO2 value, please check your desired specification on the online configurator.

✓ indicates standard equipment, ○ indicates optional at no extra cost, - indicates not available, • indicates a cost option. Price indicates optional at the cost shown. Price shown inclusive of VAT.

Pricing

	Powertrain	CO2	Basic RRP excl. VAT	Total RRP incl. VAT	Road Fund Licence	Rec. OTR Price	P11D Value	BIK Tax Rate 2026/27
AMG Line Premium	S 350 d 4MATIC L	168	£84,316.67	£101,180	£1,410	£103,450	£101,985	37%
	S 500 4MATIC L	191	£93,116.67	£111,740	£3,420	£116,020	£112,545	37%
	S 450 e L	55	£94,775.00	£113,730	£135	£114,725	£114,535	10%
	S 580 e 4MATIC L	65	£101,191.67	£121,430	£135	£122,425	£122,235	10%
AMG Line Premium Plus	S 350 d 4MATIC L	174	£92,650.00	£111,180	£2,270	£114,310	£111,985	37%
	S 500 4MATIC L	197	£101,450.00	£121,740	£3,420	£126,020	£122,545	37%
	S 450 e L	57	£101,650.00	£121,980	£135	£122,975	£122,785	10%
	S 580 e 4MATIC L	66	£108,066.67	£129,680	£135	£130,675	£130,485	10%
AMG Line Premium Plus Executive	S 350 d 4MATIC L	174	£96,816.67	£116,180	£2,270	£119,310	£116,985	37%
	S 500 4MATIC L	198	£105,616.67	£126,740	£3,420	£131,020	£127,545	37%
	S 450 e L	58	£105,816.67	£126,980	£135	£127,975	£127,785	10%
	S 580 e 4MATIC L	67	£112,233.33	£134,680	£135	£135,675	£135,485	10%

¹The indicated values were determined according to the prescribed measurement method -Worldwide Harmonised Light Vehicle Test Procedure (WLTP). Figures shown may include options which are not available in the UK. Battery Electric Vehicles (BEV) require mains electricity for charging, range figures determined with the battery fully charged. These models require mains electricity for charging ²Figures shown are for comparability purposes; only compare with other cars tested to the same technical procedures. Figures may not reflect real life driving results, which will depend upon a number of factors including factory-fitted options, accessories fitted (post registration), variations in weather, driving styles and vehicle load. Further information about the test used to establish fuel consumption and CO₂ figures can be found at <http://www.mercedes-benz.co.uk/WLTP> ³A different first year rate of Vehicle Excise Duty (Road Fund Licence) applies for new cars. ⁴The recommended on-the-road price includes the Road Fund Licence applicable to the standard model plus delivery charge (£780.00 incl. VAT), new vehicle registration fee (£55.00) and number plates (£25.00 incl. VAT). VAT is calculated at the standard rate of 20%. Some of the model features, optional extras and colours shown may not be available, or may only be available in a different specification, or at a different price.

Standard Equipment

	AMG Line Premium	AMG Line Premium Plus	AMG Line Premium Plus Executive
Battery & Charging			
48 Volt mild hybrid (S350d and S500 only)	✓	✓	✓
22.0kWh lithium-ion battery (S450e and S580e only)	✓	✓	✓
AC charging rated at 11kW (S450e and S580e only)	✓	✓	✓
DC charging rated at 60kW (S450e and S580e only)	✓	✓	✓
Charging cable up to 1.8 kW for household socket, 5 m, straight (S450e and S580e only)	✓	✓	✓
Charging cable up to 22 kW for wallbox and public charging station, 7 m, straight (S450e and S580e only)	✓	✓	✓
Engine, Transmission & Suspension			
9G-TRONIC 9-speed automatic transmission	✓	✓	✓
DYNAMIC SELECT with a choice of driving modes - Eco, Comfort, Sport, Individual (S350d and S500 only)	✓	✓	✓
DYNAMIC SELECT with a choice of driving modes - Electric, Battery Hold, Hybrid, Sport and Individual (S450e and S580e only)	✓	✓	✓
AIRMATIC with intelligent damper control and Digital Extras	✓	✓	✓
Rear axle steering up to 4.5 degrees	✓	✓	✓
ECO start/stop system	✓	✓	✓
Exterior			
AMG Line exterior illuminated surround of the grille, large air inlets with fins in chrome, front and rear apron, side sill panels, visible tailpipe tips in chrome	✓	✓	✓
Braking system with larger brake discs	✓	✓	✓
EASY-ENTRY system with Remote boot lid	✓	✓	✓
DIGITAL LIGHT with Adaptive Highbeam Assist Plus	✓	✓	✓
Illuminated door sill panels with "Mercedes-Benz" lettering	-	✓	✓
GUARD 360 ° break-in resistant heat- and noise-insulated laminated safety glass (S500 and S580e only)	✓	✓	✓
Heat and noise-insulating acoustic glass (S350d and S450e only)	-	✓	✓
Privacy glass - heat insulating dark-tinted glass	✓	✓	✓
Panoramic sliding sunroof - consisting of a fixed panoramic glass rear section and an electrically-operated sliding glass front section, the glass roof provides additional light and ventilation into the car	✓	✓	✓
Mirror package - electrically folding mirrors and automatically-dimming exterior driver's mirror and rear-view mirror	✓	✓	✓
KEYLESS-GO with flush-fitting door handles and Digital Extra	✓	✓	✓
Pre-installation for Digital Vehicle Key for Smartphone	✓	✓	✓



✓ indicates standard equipment, ○ indicates optional at no extra cost, - indicates not available, ● indicates a cost option.

Standard Equipment

	AMG Line Premium	AMG Line Premium Plus	AMG Line Premium Plus Executive
Fuel tank with a capacity of 76 litres (S350d and S500 only)	✓	✓	✓
TIREFIT with tyre inflation compressor	✓	✓	✓
Rim lock set	✓	✓	✓
Noise-optimised tyres with foam absorber	✓	✓	✓
MAGIC VISION CONTROL	-	✓	✓
Wheels			
50.8 cm (20-inch) AMG cross-spoke light-alloy wheels (S350d and S500 only)	✓	-	-
53.3 cm (21-inch) AMG multi-spoke light-alloy wheels (S350d and S500 only)	-	✓	✓
50.8 cm (20-inch) AMG cross-spoke light-alloy wheels (S450e and S580e only)	✓	✓	✓
Interior			
AMG Line interior - flat-bottom sports steering wheel, brushed stainless steel sports pedals with rubber studs and AMG velour floor mats	✓	✓	✓
ENERGIZING AIR CONTROL	-	✓	✓
AIR BALANCE package - Individual fragrancing and ionisation of the vehicle interior. The system comes with a fragrance matching the character of your vehicle	-	✓	✓
Ambient lighting Plus with directly and indirectly illuminated light lines, 64 colours and 10 colour schemes	✓	-	-
Active ambient lighting, including visualisation of music, driver assistance systems and other vehicle functions	-	✓	✓
Surround lighting with projection of brand logo	✓	✓	✓
Automatically dimming interior mirror and driver's exterior mirror	✓	✓	✓
Centre console with wood trim and illuminated double cup holder	✓	✓	✓
Front centre armrest with stowage compartment	✓	✓	✓
Heated seat belts - front	-	✓	✓
4-way lumbar support	✓	✓	✓
Luxury head restraints in the front	✓	✓	✓
Memory seat package - memory function for seats, steering column, mirrors and head up display (where fitted) with 3 memory positions	✓	✓	✓
Rear Seat Memory Package - 3 storable settings for the outer rear seats	-	✓	✓
Heated front seats	✓	-	-
Climatised front seats - 3-stage seat ventilation and heating for a pleasant seat climate	-	✓	✓
Climatised rear seats - 3-stage seat ventilation and heating for a pleasant seat climate (Part of Rear Comfort Package)	-	-	✓



✓ indicates standard equipment, ○ indicates optional at no extra cost, - indicates not available, ● indicates a cost option.

Standard Equipment

	AMG Line Premium	AMG Line Premium Plus	AMG Line Premium Plus Executive
Warmth comfort package - heated armrests for the driver and front passenger, seat heating plus provides faster seat cushion and backrest heat with separate control	-	✓	•
Warmth comfort package Plus - Maximum thermal comfort with steering wheel heater, heated front seat belts and heated front and rear armrests	-	-	✓
Heated Windscreen	-	✓	✓
THERMOTRONIC 2-zone climate control - driver and front passenger can set the temperature separately for each side	✓	✓	-
THERMOTRONIC 4-zone climate control - driver, front passenger and rear passengers can decide the temperature and air distribution in 4 zones independently (Part of Rear Comfort Package)	-	-	✓
Load Compartment Package	✓	✓	✓
Folding rear seat backrests	✓	✓	✓
2 luggage nets in the boot	✓	✓	✓
Rear Comfort Package - Designer belt buckles front and rear, sidebags in rear, rear airbag, climatized rear seats, THERMOTRONIC automatic climate control in the rear (4-zone), MBUX remote control in the rear, wireless charging system for mobile devices in the rear, 2 USB ports in the rear	-	-	✓
Steering			
Multifunction sports steering wheel in nappa leather with flat bottom	✓	✓	✓
Electrically-adjustable steering column - height and reach	✓	✓	✓
Heated steering wheel	-	✓	✓
Paint, Trim and Upholstery			
Metallic Paint	✓	✓	✓
Roof liner in macchiato beige fabric	✓	✓	✓
Anthracite open-pore oak wood trim elements	✓	✓	✓
Nappa leather macchiato beige / magma grey	✓	✓	✓
Safety and Assistance Systems			
GUARD 360° vehicle protection plus - With Emergency key deactivation, Stolen Vehicle Help and collision detection with camera images	✓	✓	✓
Anti-theft alarm system with immobiliser and interior protection and preinstallation for collision detection	✓	✓	✓
Dashcam	✓	✓	✓
Acoustic presence indicator	✓	✓	✓
Digital Extra: MB.DRIVE ASSIST - Lane Change Assist and Steering Assist	✓	✓	✓
Driver and front passenger airbags with extended adaptivity for front passenger airbag	✓	✓	✓
Automatic front passenger airbag deactivation	✓	✓	✓
Central airbag	✓	✓	✓



¹Our driver assistance and safety systems are aids and do not relieve you of your responsibility as the driver. Please take note of the information in the Owner's Manual and the system limits which are described therein.

✓ indicates standard equipment, ○ indicates optional at no extra cost, - indicates not available, ● indicates a cost option.

Standard Equipment

	AMG Line Premium	AMG Line Premium Plus	AMG Line Premium Plus Executive
Kneebag for driver	✓	✓	✓
ISOFIX child seat attachment points with top tether in rear (two outer seats)	✓	✓	✓
Automatic child seat recognition sensor	✓	✓	✓
Status display in instrument cluster for rear seat belts	✓	✓	✓
Mercedes-Benz emergency call system	✓	✓	✓
Active Distance Assist DISTRONIC ¹ - Automatically maintains your selected speed and distance to vehicles ahead	✓	✓	✓
Lane Keeping Assist ¹ - Warning and active steering intervention in the event of unintentional lane departure	✓	✓	✓
Brake Assist ¹ - Can assist with full braking force to avoid or mitigate the impact of colliding with the vehicle in front	✓	✓	✓
ATTENTION ASSIST ¹ - Monitors driver behaviour for tiredness and recommends when it is time for a break	✓	✓	✓
Traffic Sign Assist ¹ - traffic sign recognition including wrong-way warning function and display of posted speed limits in the instrument cluster	✓	✓	✓
Blind Spot Assist ¹ - Warns visually and audibly of threatening side collisions with other road users	✓	✓	✓
Adaptive brake system with HOLD function and brake drying in the wet	✓	✓	✓
Electronic Stability Programme (ESP®) with Curve Dynamic Assist and Crosswind Assist - for greater driving safety and stability, in particular when accelerating on bends; counters understeer by one-sided braking action. Detects sudden, strong gusts of wind and helps the driver stay in lane by means of targeted braking	✓	✓	✓
Digital Extra: MB.DRIVE PARKING ASSIST 360	✓	✓	✓
Tyre pressure monitoring system	✓	✓	✓
Electric parking brake	✓	✓	✓
Driver's fluorescent jacket	✓	✓	✓
Remote boot release	✓	✓	✓
Emergency Stop Assist - detects if the driver is unresponsive by monitoring steering movement. Provides warnings before bringing the vehicle to a stop, activating the hazard lights and initiating an emergency call	✓	✓	✓
Evasive Steering Assist - helps avoid collisions by providing steering torque to enhancing swerving manoeuvres	✓	✓	✓
Speed Limit Assist - automatically adjusts the set speed to detected changes in speed limit	✓	✓	✓
Stop-and-Go Assist - takes strain away from the driver in traffic jams on motorways, managing braking and also acceleration within 60s of a complete stop	✓	✓	✓
Steering Assist - keeps the vehicle centered in its lane and provides automatic steering inputs to prevent unintentional drifting	✓	✓	✓
Congestion emergency brake function - detects potential rear-end collisions, automatically applying the brakes if the driver fails to respond	✓	✓	✓
Exit warning function - alerts occupants to approaching traffic, cyclists or pedestrians when opening the doors	✓	✓	✓
Hazard display via ambient lighting - cockpit lights alert of hazards by flashing red, such as blind-spot warnings	✓	✓	✓
PRE-SAFE PLUS incl. PRE-SAFE Impulse Side - detects imminent rear and side collisions and protects occupants by tightening seatbelts and inflating side bolsters. A sound is played to protect occupant's ears from the sound of the impact	✓	✓	✓
Route-based speed adjustment - adjusts vehicle speed based on map data, such as for upcoming bends, roundabouts, junctions and exits, resuming the set speed afterward	✓	✓	✓



¹Our driver assistance and safety systems are aids and do not relieve you of your responsibility as the driver. Please take note of the information in the Owner's Manual and the system limits which are described.

✓ indicates standard equipment, ○ indicates optional at no extra cost, - indicates not available, ● indicates a cost option.

Standard Equipment

	AMG Line Premium	AMG Line Premium Plus	AMG Line Premium Plus Executive
Communication and In-Car Entertainment			
Superscreen package -High-resolution 14.4" central media display, passenger display with 12.3" screen and visual shield function, selfie and video camera	✓	✓	✓
Head-up display	-	✓	✓
Standard sound system with 10 speakers	✓	-	-
Burmester® 3D surround sound system - 17 speakers and 4 exciters, 730-watt system output and Dolby Atmos®	-	✓	✓
Fingerprint scanner - Secure biometric identification of your driver profile	✓	✓	✓
DAB digital radio tuner	✓	✓	✓
Hard-disc navigation - Includes 2D and 3D map display and route options such as Eco and Trailer	✓	✓	✓
MBUX Navigation Premium - Fast, networked navigation, including online route guidance, real-time traffic information and Car-to-X communication	✓	✓	✓
MBUX augmented reality for navigation - Graphical navigation and traffic information merge with live images on the central display	✓	✓	✓
Pre-installation for Live Traffic	✓	✓	✓
USB Package Plus - A total of 6 fast-charging USB-C ports for your mobile devices - 2 in the front oddments tray, 2 under the centre armrest and 2 in the rear centre console	✓	✓	✓
Wireless charging front	✓	✓	✓
Wireless charging rear (Part of Rear Comfort Package)	-	-	✓
Smartphone integration ¹ via Android Auto™ or Apply CarPlay®	✓	✓	✓
Bluetooth interface ¹	✓	✓	✓
5G communications module	✓	✓	✓
Digital Extras (standard services) ² - including emergency call system (eCall), accident recovery, breakdown and maintenance management	✓	✓	✓
Digital Extras (vehicle set-up and monitoring) ² - onboard use of remote and location services e.g. geographic vehicle monitoring, vehicle location, remote door locking and unlocking, remote interrogation of vehicle status - available to use free of charge for three years following activation	✓	✓	✓
MBUX voice control activated by keywords "Hey Mercedes"	✓	✓	✓
MBUX extended functions ² - available to use free of charge for three years following activation	✓	✓	✓
Remote Services Premium ² - You can locate your vehicle and control certain functions remotely	✓	✓	✓
Pre-installation for MBUX Entertainment Plus ² - Fully integrated app store including music and video streaming services, games and productivity apps	✓	✓	✓

¹Compatible mobile phone required. Please check www.mercedes-benz.com for details or contact your local Mercedes-Benz Agent for further information.

²To use this service, you must register on the Digital Extras portal and also accept the Terms of Use for the Digital Extras services. In addition, the respective vehicle must be paired with the user account. Upon expiry of the initial term, the services can be extended for a fee. Initial activation of the services is possible within 1 year of first registration or commissioning by the customer, whichever comes first.

✓ indicates standard equipment, ○ indicates optional at no extra cost, - indicates not available, ● indicates a cost option.

Optional Equipment

AMG Line Premium Plus Executive
AMG Line Premium Plus
AMG Line Premium

Upholstery						
Nappa leather macchiato beige / magma grey	825A	Standard	✓	✓	✓	
Nappa leather beech brown / black	824A	No-Cost Option	○	○	○	
Nappa leather black	823A	No-Cost Option	○	○	○	
Exclusive nappa leather black	523A	£3,500	-	-	•	
Exclusive nappa leather beech brown / black	524A	£3,500	-	-	•	
Exclusive nappa leather macchiato beige / magma grey	525A	£3,500	-	-	•	
MANUFAKTUR Exclusive nappa leather	-	£9,500	-	-	•	
Trim						
Anthracite open-pore oak wood trim elements	22H	Standard	✓	✓	✓	
Open-pore amber brown wood trim with fishbone pattern	23H	£460	•	•	•	
Trim elements with high-gloss silver metallic mixed fabric	73H	£460	•	•	•	
MANUFAKTUR brown open-pore walnut wood trim with aluminium lines	H38	£3,350	•	•	•	
Wheels						
50.8 cm (20-inch) AMG cross-spoke light-alloy wheels (S350d and S500 only)	RTV	No-Cost Option	✓	○	○	
50.8 cm (20-inch) AMG cross-spoke light-alloy wheels (S350d and S500 only)	RTW	No-Cost Option £300	-	○	○	
53.3 cm (21-inch) AMG multi-spoke light-alloy wheels (S350d and S500 only)	RWK	Standard	-	✓	✓	
53.3 cm (21-inch) AMG multi-spoke light-alloy wheels (S350d and S500 only)	RWJ	No-Cost Option	-	○	○	
50.8 cm (20-inch) AMG cross-spoke light-alloy wheels (S450e and S580e only)	RTM	Standard	✓	✓	✓	
50.8 cm (20-inch) AMG cross-spoke light-alloy wheels (S450e and S580e only)	RTN	No-Cost Option £300	-	○	○	



✓ indicates standard equipment, ○ indicates optional at no extra cost, - indicates not available, • indicates a cost option, ^ indicates part of a package

Optional Equipment

			AMG Line Premium	AMG Line Premium Plus	AMG Line Premium Plus Executive
Rear Comfort Package Plus	DRL	£7,950	-	-	•
Adaptive rear compartment lighting			-	-	•
Beltbag			-	-	•
Executive seat			-	-	•
Chauffeur Package - EASY ADJUST luxury head restraints for driver and front passenger with Chauffeur position for front passenger seat			-	-	•
Sun Protection Package - electric sunblinds in rear doors, left and right and Electric sunblind for rear window			-	-	•
Rear Massage Package - Neck and shoulder heating in the rear, Calf massage in the rear, Multicontour Seat Package with massage function pro in the rear			-	-	•
Belt feeders in the rear			-	-	•
MBUX High-End Rear Seat Entertainment System (Only in conjunction with DRL)	854	£3,995	-	-	•
2 fully integrated touch displays with a 13.1" screen diagonal and connection to the MBUX multimedia system			-	-	•
2 wireless head sets			-	-	•
Metallic Paint					
Obsidian BlackMetallic	197U	Standard	✓	✓	✓
Nautical Blue Metallic	595U	No-Cost Option	○	○	○
Graphite Grey Metallic	831U	No-Cost Option	○	○	○
Verde Silver Metallic	188U	No-Cost Option	○	○	○
Velvet Brown Metallic	771U	No-Cost Option	○	○	○
High-tech Silver Metallic	922U	No-Cost Option	○	○	○
Emerald Green Metallic	989U	No-Cost Option	○	○	○
Warm Grey Non-Metallic	715U	No-Cost Option	○	○	○
MANUFAKTUR Paint					
MANUFAKTUR Opalite White Magno	659U	£5,000	•	•	•
MANUFAKTUR Kalahari Gold Metallic	802U	£3,000	•	•	•
MANUFAKTUR Opalite White Bright Metallic	885U	£1,000	•	•	•
MANUFAKTUR exclusive Paints (Please see configurator)	-	£10,200	•	•	•

Technical Data

CO2 & Consumption Values						
Engine	Fuel Type	Transmission	Model Variant	CO2 Combined (g/km)	Energy Consumption - combined (Wh/km) ¹	EAER Electric Range (miles)
S 350 d 4MATIC L	Diesel MHEV	Automatic	AMG Line Premium	168 - 169	-	-
			AMG Line Premium Plus	170 - 174	-	-
			AMG Line Premium Plus Executive	171 - 176	-	-
S 500 4MATIC L	Petrol MHEV	Automatic	AMG Line Premium	191 - 192	-	-
			AMG Line Premium Plus	193 - 197	-	-
			AMG Line Premium Plus Executive	194 - 199	-	-
S 450 e L	Petrol PHEV	Automatic	AMG Line Premium	55	226	68
			AMG Line Premium Plus	57	231	67
			AMG Line Premium Plus Executive	58 - 59	233 - 236	66
S 580 e 4MATIC L	Petrol PHEV	Automatic	AMG Line Premium	65	251	62
			AMG Line Premium Plus	66	254	61
			AMG Line Premium Plus Executive	67 - 68	256 - 259	60

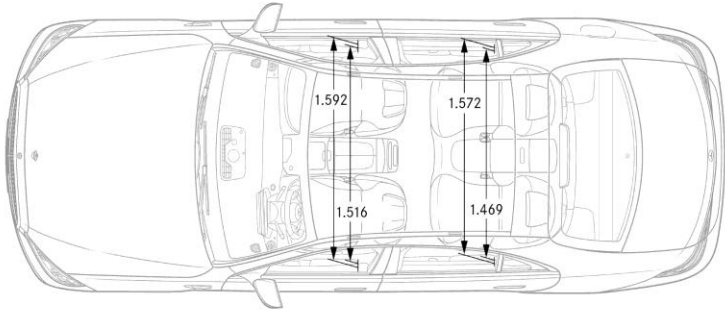
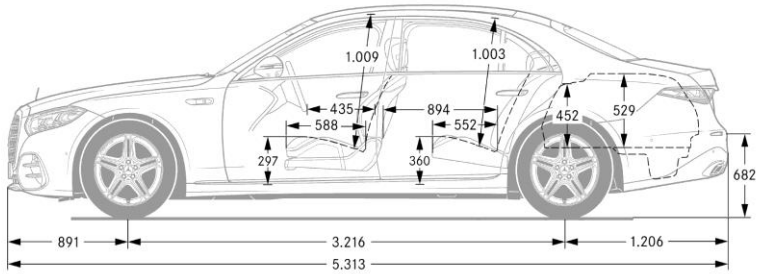
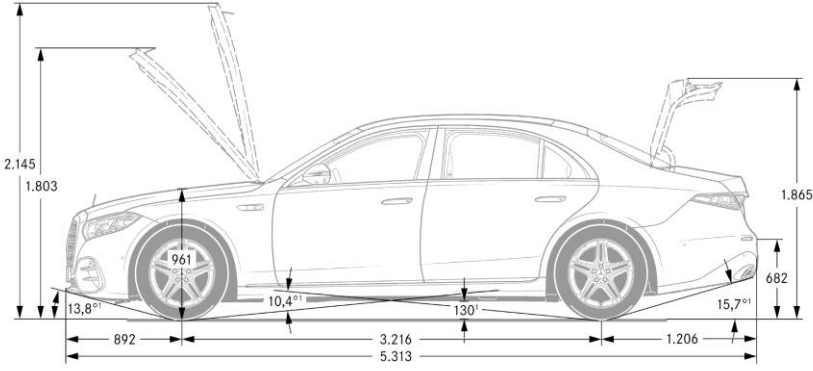
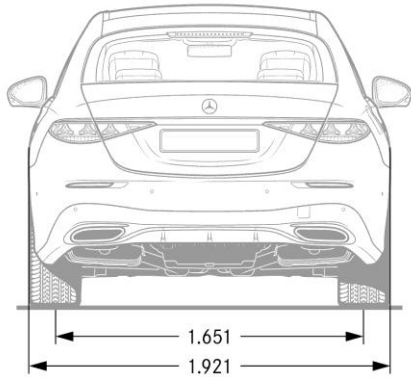
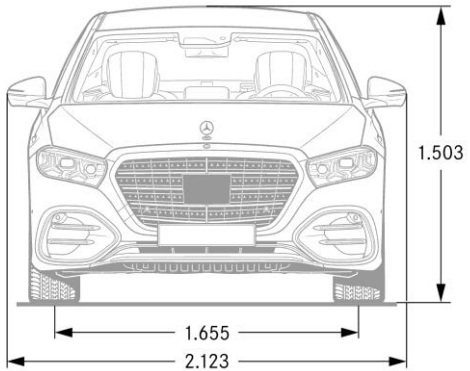
Wheels & Tyres				
Model	Wheel Code	Description	Front	Rear
AMG Line Premium (S350d and S500 only)	RTV	50.8 cm (20-inch) AMG cross-spoke light-alloy wheels	255/40 R20 on 9J x 20 ET 34	255/40 R20 on 9J x 20 ET 34
AMG Line Premium (S450e and S580e only)	RTM	50.8 cm (20-inch) AMG cross-spoke light-alloy wheels	255/40 R20 on 9J x 20 ET 34	285/35 R20 on 10J x 20 ET 48.1
AMG Line Premium Plus (S350d and S500 only)	RWK	53.3 cm (21-inch) AMG multi-spoke light-alloy wheels	255/35 R21 on 9J x 21 ET 34	285/30 R21 on 10J x 21 ET 48
AMG Line Premium Plus (S450e and S580e only)	RTM	50.8 cm (20-inch) AMG cross-spoke light-alloy wheels	255/40 R20 on 9J x 20 ET 34	285/35 R20 on 10J x 20 ET 48.1
AMG Line Premium Plus Executive (S350d and S500 only)	RWK	53.3 cm (21-inch) AMG multi-spoke light-alloy wheels	255/35 R21 on 9J x 21 ET 34	285/30 R21 on 10J x 21 ET 48
AMG Line Premium Plus Executive (S450e and S580e only)	RTM	50.8 cm (20-inch) AMG cross-spoke light-alloy wheels	255/40 R20 on 9J x 20 ET 34	285/35 R20 on 10J x 20 ET 48.1

Technical Data

		S 350 d 4MATIC L	S 500 4MATIC L	S 450 e L	S 580 e 4MATIC L	
Emissions						
Emissions standard		Euro 6 EB	Euro 6 EB	Euro 6 EB	Euro 6 EB	
Powertrain						
Powertrain		Mild-Hybrid	Mild-Hybrid	Plug-in Hybrid	Plug-in Hybrid	
Gearbox		9 speed transmission	9 speed transmission	9 speed transmission	9 speed transmission	
Drive type		4x4 (AWD)	4x4 (AWD)	4x2 (RWD)	4x4 (AWD)	
Power ¹	hp (kW)	313 (230)	449 (330)	435 (320)	585 (430)	
Torque ¹	Nm	650	600	680	750	
Powertrain						
Acceleration (0-62mph)		sec	5.4	4.5	5.7	4.4
Top speed		mph	155	155	155	155
Battery						
Battery type		-	-	Lithium-ion	Lithium-ion	
Battery capacity (useable)		kWh	-	-	21.96	21.96
Battery warranty		-	-	6 years/62,000 miles	6 years/62,000 miles	
Charging						
On-board charger (AC)		kW	-	-	11	11
Charging time - Wallbox 11kW AC ²		0-100%	-	-	2.15 hours	2.15 hours
Charging time - Home Wallbox 7kW AC ³		0-100%	-	-	3.30 hours	3.30 hours
On-board charger (DC)		kW	-	-	60	60
Charging time - public rapid charger (60kW) ⁴		10-80%	-	-	20 minutes	20 minutes
Range						
Electric Range		miles	-	-	66 - 68 miles	60 - 62 miles
Electric energy consumption, combined ⁵		Wh/km	-	-	226 - 236	251 - 259
Weights & Capacities						
Kerb weight		kg	2,306 - 2,427	2,244 - 2,362	2,528 - 2,640	2,571 - 2,681
Permissible gross vehicle weight		kg	2910	2855	3070	3070
Boot capacity - seats up		litres	510	530	345	345
Maximum roof load		kg	100	100	100	100

¹Figures according to Regulation (EC) No. 595/2009 in the currently applicable version. ²Specified voltage and current values refer to network infrastructure and can be limited by the vehicle. Times are from 10-100% charge using a wallbox (three-phase) or standard socket (single-phase). ³Specified voltage and current values refer to network infrastructure and can be limited by the vehicle. Times are from 10-80% charge using rapid public charging at 170kW. ⁴Figures shown are for compatibility purposes; only compare with other cars tested to the same technical procedures. Figures may not reflect real life driving results, which will depend upon a number of factors including the starting charge of the battery, factory-fitted options, accessories fitted (post registration), variations in weather, driving styles and vehicle load. Further information about the test used to establish range, power consumption and CO2 figures can be found at www.mercedes-benz.co.uk/WLTP. Specified voltage and current values refer to network infrastructure and can be limited by the vehicle

Technical Data



Technical Data

S-Class Saloon														
Model Variant	Bodyshell	Fuel Type	WLTP CO2 Combined (g/km)	BIK Tax Rate	Kerb Weight (KG)	Combined (l/100km)	Combined (mpg)	W. Combined (l/100km)	W. Combined (mpg)	Energy Consumption Combined (Wh/km)	EAER Electric Range KM	EAER Electric Range MILES	EAER City Range Combined KM	EAER City Range Combined MILES
S 350 d 4MATIC L														
(V223) S 350 d 4MATIC L AMG Line Premium	Saloon	Mild-Hybrid	168	37%	2306	6.4	44.1	0	0	0	0	0	0	0
(V223) S 350 d 4MATIC L AMG Line Premium RTW	Saloon	Mild-Hybrid	169	37%	2317	6.4	44.1	0	0	0	0	0	0	0
(V223) S 350 d 4MATIC L AMG Line Premium Plus	Saloon	Mild-Hybrid	174	37%	2364	6.6	42.8	0	0	0	0	0	0	0
(V223) S 350 d 4MATIC L AMG Line Premium Plus RTV	Saloon	Mild-Hybrid	170	37%	2353	6.5	43.5	0	0	0	0	0	0	0
(V223) S 350 d 4MATIC L AMG Line Premium Plus RTW	Saloon	Mild-Hybrid	170	37%	2364	6.5	43.5	0	0	0	0	0	0	0
(V223) S 350 d 4MATIC L AMG Line Premium Plus Executive RWJ	Saloon	Mild-Hybrid	174	37%	2385	6.7	42.2	0	0	0	0	0	0	0
(V223) S 350 d 4MATIC L AMG Line Premium Plus Executive	Saloon	Mild-Hybrid	174	37%	2385	6.7	42.2	0	0	0	0	0	0	0
(V223) S 350 d 4MATIC L AMG Line Premium Plus Executive DRL	Saloon	Mild-Hybrid	175	37%	2419	6.7	42.2	0	0	0	0	0	0	0
(V223) S 350 d 4MATIC L AMG Line Premium Plus Executive DRL+854	Saloon	Mild-Hybrid	176	37%	2427	6.7	42.2	0	0	0	0	0	0	0
(V223) S 350 d 4MATIC L AMG Line Premium Plus Executive RTV	Saloon	Mild-Hybrid	171	37%	2374	6.5	43.5	0	0	0	0	0	0	0
(V223) S 350 d 4MATIC L AMG Line Premium Plus Executive RTV+DRL	Saloon	Mild-Hybrid	172	37%	2408	6.5	43.5	0	0	0	0	0	0	0
(V223) S 350 d 4MATIC L AMG Line Premium Plus Executive RTV+DRL+854	Saloon	Mild-Hybrid	172	37%	2416	6.6	42.8	0	0	0	0	0	0	0
(V223) S 350 d 4MATIC L AMG Line Premium Plus Executive RTW	Saloon	Mild-Hybrid	171	37%	2385	6.5	43.5	0	0	0	0	0	0	0
(V223) S 350 d 4MATIC L AMG Line Premium Plus Executive RTW+DRL	Saloon	Mild-Hybrid	172	37%	2419	6.6	42.8	0	0	0	0	0	0	0
(V223) S 350 d 4MATIC L AMG Line Premium Plus Executive RTW+DRL+854	Saloon	Mild-Hybrid	172	37%	2427	6.6	42.8	0	0	0	0	0	0	0
(V223) S 350 d 4MATIC L AMG Line Premium Plus Executive RWJ	Saloon	Mild-Hybrid	174	37%	2385	6.7	42.2	0	0	0	0	0	0	0
(V223) S 350 d 4MATIC L AMG Line Premium Plus Executive RWJ+DRL	Saloon	Mild-Hybrid	175	37%	2419	6.7	42.2	0	0	0	0	0	0	0
(V223) S 350 d 4MATIC L AMG Line Premium Plus Executive RWJ+DRL+854	Saloon	Mild-Hybrid	176	37%	2427	6.7	42.2	0	0	0	0	0	0	0
S 500 4MATIC L														
(V223) S 500 4MATIC L AMG Line Premium	Saloon	Mild-Hybrid	191	37%	2244	8.4	33.6	0	0	0	0	0	0	0
(V223) S 500 4MATIC L AMG Line Premium RTW	Saloon	Mild-Hybrid	192	37%	2255	8.4	33.6	0	0	0	0	0	0	0
(V223) S 500 4MATIC L AMG Line Premium Plus	Saloon	Mild-Hybrid	197	37%	2300	8.7	32.5	0	0	0	0	0	0	0
(V223) S 500 4MATIC L AMG Line Premium Plus RTV	Saloon	Mild-Hybrid	193	37%	2288	8.5	33.2	0	0	0	0	0	0	0
(V223) S 500 4MATIC L AMG Line Premium Plus RTW	Saloon	Mild-Hybrid	193	37%	2300	8.5	33.2	0	0	0	0	0	0	0
(V223) S 500 4MATIC L AMG Line Premium Plus Executive RWJ	Saloon	Mild-Hybrid	197	37%	2300	8.7	32.5	0	0	0	0	0	0	0
(V223) S 500 4MATIC L AMG Line Premium Plus Executive	Saloon	Mild-Hybrid	198	37%	2321	8.7	32.5	0	0	0	0	0	0	0
(V223) S 500 4MATIC L AMG Line Premium Plus Executive DRL	Saloon	Mild-Hybrid	199	37%	2355	8.7	32.5	0	0	0	0	0	0	0
(V223) S 500 4MATIC L AMG Line Premium Plus Executive DRL+854	Saloon	Mild-Hybrid	199	37%	2362	8.8	32.1	0	0	0	0	0	0	0
(V223) S 500 4MATIC L AMG Line Premium Plus Executive RTV	Saloon	Mild-Hybrid	194	37%	2309	8.5	33.2	0	0	0	0	0	0	0
(V223) S 500 4MATIC L AMG Line Premium Plus Executive RTV+DRL	Saloon	Mild-Hybrid	195	37%	2343	8.6	32.8	0	0	0	0	0	0	0
(V223) S 500 4MATIC L AMG Line Premium Plus Executive RTV+DRL+854	Saloon	Mild-Hybrid	195	37%	2351	8.6	32.8	0	0	0	0	0	0	0
(V223) S 500 4MATIC L AMG Line Premium Plus Executive RTW	Saloon	Mild-Hybrid	194	37%	2321	8.5	33.2	0	0	0	0	0	0	0
(V223) S 500 4MATIC L AMG Line Premium Plus Executive RTW+DRL	Saloon	Mild-Hybrid	195	37%	2355	8.6	32.8	0	0	0	0	0	0	0
(V223) S 500 4MATIC L AMG Line Premium Plus Executive RTW+DRL+854	Saloon	Mild-Hybrid	195	37%	2362	8.6	32.8	0	0	0	0	0	0	0
(V223) S 500 4MATIC L AMG Line Premium Plus Executive RWJ	Saloon	Mild-Hybrid	198	37%	2321	8.7	32.5	0	0	0	0	0	0	0
(V223) S 500 4MATIC L AMG Line Premium Plus Executive RWJ+DRL	Saloon	Mild-Hybrid	199	37%	2355	8.7	32.5	0	0	0	0	0	0	0
(V223) S 500 4MATIC L AMG Line Premium Plus Executive RWJ+DRL+854	Saloon	Mild-Hybrid	199	37%	2362	8.8	32.1	0	0	0	0	0	0	0

*Figures shown are for comparability purposes; only compare with other cars tested to the same technical procedures. Figures may not reflect real life driving results, which will depend upon a number of factors including the starting charge of the battery, factory-fitted options, accessories fitted (post registration), variations in weather, driving styles and vehicle load. Further information about the test used to establish range, power consumption and CO₂ figures can be found at www.mercedes-benz.co.uk/WLTP.

Technical Data

S-Class Saloon														
Model Variant	Bodyshell	Fuel Type	WLTP CO2 Combined (g/km)	BIK Tax Rate	Kerb Weight (KG)	Combined (l/100km)	Combined (mpg)	W. Combined (l/100km)	W. Combined (mpg)	Energy Consumption Combined (Wh/km)	EAER Electric Range KM	EAER Electric Range MILES	EAER City Range Combined KM	EAER City Range Combined MILES
S 450 e L														
(V223) S 450 e L AMG Line Premium	Saloon	Plug-in Hybrid	55	10%	2528	7.8	36.2	2.4	117.7	226	110	68	107	66
(V223) S 450 e L AMG Line Premium RTN	Saloon	Plug-in Hybrid	55	10%	2528	7.8	36.2	2.4	117.7	226	110	68	107	66
(V223) S 450 e L AMG Line Premium Plus	Saloon	Plug-in Hybrid	57	10%	2577	7.9	35.8	2.5	113	231	108	67	104	65
(V223) S 450 e L AMG Line Premium Plus RTN	Saloon	Plug-in Hybrid	57	10%	2577	7.9	35.8	2.5	113	231	108	67	104	65
(V223) S 450 e L AMG Line Premium Plus Executive	Saloon	Plug-in Hybrid	58	10%	2599	7.9	35.8	2.5	113	233	107	66	103	64
(V223) S 450 e L AMG Line Premium Plus Executive DRL	Saloon	Plug-in Hybrid	59	10%	2632	8	35.3	2.6	108.7	236	106	66	102	63
(V223) S 450 e L AMG Line Premium Plus Executive DRL+854	Saloon	Plug-in Hybrid	59	10%	2640	8	35.3	2.6	108.7	236	106	66	101	63
(V223) S 450 e L AMG Line Premium Plus Executive RTN	Saloon	Plug-in Hybrid	58	10%	2599	7.9	35.8	2.5	113	233	107	66	103	64
(V223) S 450 e L AMG Line Premium Plus Executive RTN+DRL	Saloon	Plug-in Hybrid	59	10%	2632	8	35.3	2.6	108.7	236	106	66	102	63
(V223) S 450 e L AMG Line Premium Plus Executive RTN+DRL+854	Saloon	Plug-in Hybrid	59	10%	2640	8	35.3	2.6	108.7	236	106	66	101	63
S 580 e 4MATIC L														
(V223) S 580 e 4MATIC L AMG Line Premium	Saloon	Plug-in Hybrid	65	10%	2571	8.3	34	2.9	97.4	251	99	62	96	60
(V223) S 580 e 4MATIC L AMG Line Premium RTN	Saloon	Plug-in Hybrid	65	10%	2571	8.3	34	2.9	97.4	251	99	62	96	60
(V223) S 580 e 4MATIC L AMG Line Premium Plus	Saloon	Plug-in Hybrid	66	10%	2618	8.4	33.6	2.9	97.4	254	98	61	95	59
(V223) S 580 e 4MATIC L AMG Line Premium Plus RTN	Saloon	Plug-in Hybrid	66	10%	2618	8.4	33.6	2.9	97.4	254	98	61	95	59
(V223) S 580 e 4MATIC L AMG Line Premium Plus Executive	Saloon	Plug-in Hybrid	67	10%	2639	8.4	33.6	2.9	97.4	256	97	60	94	58
(V223) S 580 e 4MATIC L AMG Line Premium Plus Executive DRL	Saloon	Plug-in Hybrid	68	10%	2673	8.5	33.2	3	94.2	258	96	60	93	58
(V223) S 580 e 4MATIC L AMG Line Premium Plus Executive DRL+854	Saloon	Plug-in Hybrid	68	10%	2681	8.5	33.2	3	94.2	259	96	60	93	58
(V223) S 580 e 4MATIC L AMG Line Premium Plus Executive RTN	Saloon	Plug-in Hybrid	67	10%	2639	8.4	33.6	2.9	97.4	256	97	60	94	58
(V223) S 580 e 4MATIC L AMG Line Premium Plus Executive RTN+DRL	Saloon	Plug-in Hybrid	68	10%	2673	8.5	33.2	3	94.2	258	96	60	93	58
(V223) S 580 e 4MATIC L AMG Line Premium Plus Executive RTN+DRL+854	Saloon	Plug-in Hybrid	68	10%	2681	8.5	33.2	3	94.2	259	96	60	93	58

*Figures shown are for comparability purposes; only compare with other cars tested to the same technical procedures. Figures may not reflect real life driving results, which will depend upon a number of factors including the starting charge of the battery, factory-fitted options, accessories fitted (post registration), variations in weather, driving styles and vehicle load. Further information about the test used to establish range, power consumption and CO₂ figures can be found at www.mercedes-benz.co.uk/WLTP.



Effective from July 2026 production. Information correct at time of publication 25.03.2026. Prices and specifications are subject to change without prior notice.

Mercedes-Benz UK Limited, Delaware Drive, Tongwell, Milton Keynes, MK15 8BA. Company number: 02448457