

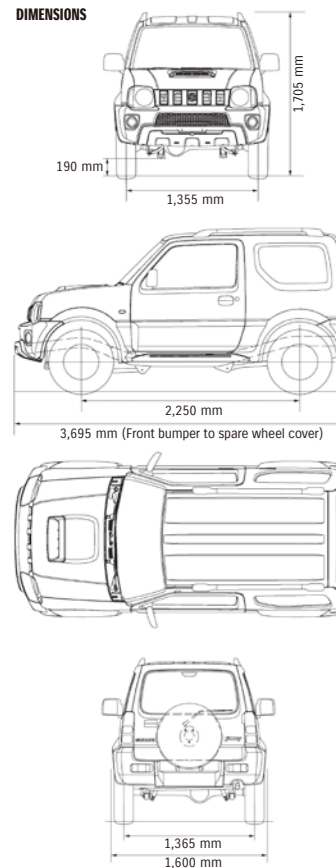
Jimmy

Major Specifications and Equipment

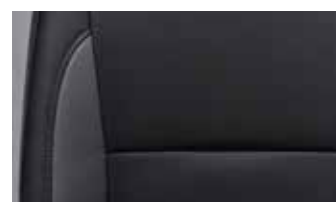


Major Specifications

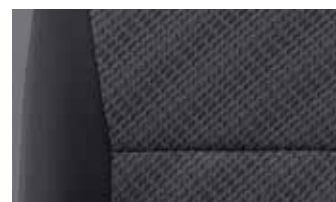
DIMENSIONS



Seat Material



MODE3: synthetic leather



JLX/JX: fabric

Engine	Petrol	
	M13A VVT	
Drive system	Part-time 4WD	
Transmission	SMT	4AT
Steering	LHD/RHD	
Number of doors	3	
DIMENSIONS		
Overall length	Front bumper to rear bumper (*1)	mm
	Front bumper to spare tyre	mm
	Front bumper to spare wheel cover	mm
Overall width	without roof rails	mm
	with roof rails	mm
Overall height	without roof rails	mm
	with roof rails	mm
Wheelbase		mm
Tread	Front	mm
	Rear	mm
Minimum turning radius (*1)		m
Minimum ground clearance		mm
Approach angle		deg
Ramp breakover angle		deg
Departure angle		deg
CAPACITIES		
Seating capacity	persons	4
Luggage capacity (*1)	Max. volume	litres
	Rear seatback tumble-folded (VDA method)	litres
	Rear seatback raised (VDA method)	litres
Fuel tank capacity	litres	40
ENGINE		
Type	M13A	
Number of cylinders	4	
Number of valves	16	
Piston displacement	cm ³	1,328
Bore x stroke	mm	78.0 x 69.5
Compression ratio		9.5
Maximum output	kW/rpm	62.4/6,000
Maximum torque	N·m/rpm	110.4/1,000
Fuel distribution	Multipoint injection	
TRANSMISSION		
Type	5MT 4AT	
Gear ratio	1st	4.425
	2nd	2.300
	3rd	1.674
	4th	1.190
	5th	1.000
	Reverse	5.151
Final gear ratio		4.300
Transfer gear ratio	High	1.000
	Low	2.002
CHASSIS		
Steering	Recirculating ball	
Brakes	Front	Solid disc
	Rear	Drum, leading and trailing
Suspension	Front	3-link rigid axle with coil spring
	Rear	3-link rigid axle with coil spring
Tyres	205/70R15	
WEIGHTS		
Kerb weight (min. with full options)	kg	1,060/1,090
Gross vehicle weight	kg	1,420
PERFORMANCE		
Maximum speed	km/h	140
0-100 km/h (*1)	sec.	14.1
ENVIRONMENTAL PERFORMANCE		
Emission standard compliance	Euro 6	
Fuel consumption	Urban	litres/100km
	Extra-urban	litres/100km
	Combined	litres/100km
CO ₂ emissions	g/km	162

Specifications may vary for individual markets.
(*1): Manufacturer data

S: Standard O: Option - : Not available
(*2): Set option
(*3): Vehicles with remote-control door locks do not have key-operated tailgate opener.
Standard and optional equipment availability may vary for individual markets.
*This vehicle's air conditioning system uses HFC-134a refrigerant.

Major Equipment

	LHD		RHD	
	Petrol		Petrol	
	M13A VVT		M13A VVT	
	Part-time 4WD		Part-time 4WD	
	SMT	4AT	SMT	4AT
	JX	JLX	MODE3	JLX
CHASSIS				
Tyres and wheels	205/70R15 + steel wheels	S	S	S
	205/70R15 + alloy wheels	(*)	(*)	(*)
Spare tyre and wheel	205/70R15 + steel wheel	(*)	(*)	(*)
	205/70R15 + alloy wheel	(*)	(*)	(*)
Spare wheel half cover (disc type)	Silver	S	S	S
	Body coloured	-	-	-
EXTERIOR				
Front grille	Horizontal design + Gunmetal coloured	S	S	S
	Vertical design + Body Coloured	-	-	-
Front and rear bumpers	Coloured	S	S	S
Wheel arch extensions	Coloured	S	S	S
Side splash panels	Coloured	S	S	S
Roof rails	Two-tone (silver and black)	-	-	-
Outside door handles	Coloured	S	S	S
Tailgate opener (*3)	Key-operated	S	S	S
VISIBILITY				
Headlamps	Halogen multireflector	S	S	S
Headlamp levelling device	Manual	S	S	S
Fog lamps	Front	0	0	0
	Rear	S	S	S
Green-tinted windows		S	S	S
UV-cut glass	Windscreen	S	S	S
Privacy glass	Front door windows	0	0	0
	Rear door windows + tailgate window	S	S	S
Wipers	Front: 2-speed (low, high) + intermittent + washer	S	S	S
	Rear: 1-speed + washer	S	S	S
Rear window demister	Coloured	S	S	S
Outside door mirrors	Electrically adjustable	S	S	S
	Heated	-	-	-
Day / night rearview mirror		S	S	S
STEERING AND INSTRUMENT PANEL				
3-spoke steering wheel	Leather covered	S	S	S
Power steering		0	0	0
Tachometer		S	S	S
Light-off and key reminder	Alarm	S	S	S
Driver's seatbelt reminder	Lamp and alarm	S	S	S
Door ajar reminder	Lamp	S	S	S
Low fuel warning	Lamp	S	S	S
Instrument panel centre garnishes	Silver coloured	S	S	S
DRIVING ASSISTANTS				
Digital clock		S	S	S
Electric windows	Front	S	S	S
	Switch (driver's side)	S	S	S
Remote-control door locks	With hazard lamp answerback function	-	0	0
Air conditioner*	Manual	0	0	0
Heater		S	S	S
Gear position indicator		S	S	S
Gear shift indicator (MI)		S	S	S
Antenna	Mounted at front of roof	S	S	S
Speaker	Front x 2	S	S	S
Seat heaters	Both front seats	-	0	0
INTERIOR				
Front cabin light (3-position)		S	S	S
Sun visors	Driver's side with ticket holder and vanity mirror	S	S	S
	Passenger's side	S	S	S
Assist grips	Passenger's side	S	S	S
Cup holders	Rear x 2	S	S	S
	Front x 2 (MT)	S	S	S
	Front x 3 (AT)	S	S	S
Storage pockets	Rear x 2	S	S	S
	Front doors	S	S	S
	Rear quarter trim	S	S	S
Shift knob (AT)	Silver garnished	-	S	S
12V interior accessory socket	Instrument panel x 1	S	S	S
Remote fuel lid opener		S	S	S
Inside door openers	Chrome	-	S	S
4-0th-accented door trim	Front	-	S	S
SEATS				
Front seats	Walk-in mechanism (passenger's side)	S	S	S
Rear seat	50:50 split single-folding	S	S	S
	Head restraint x 2	S	S	S
Seat upholstery material	Fabric	S	S	S
	Synthetic leather + PVC	-	S	S
LUGGAGE AREA				
Luggage area underfloor compartment		S	S	S
SAFETY AND SECURITY				
SRS dual front airbags		S	S	S
Seatbelts	Front: 3-point ELR seatbelts with pretensioners and force limiters	S	S	S
	Rear: 3-point ELR seatbelts x 2	S	S	S
ISOFIX child seat anchorages	Rear x 2	S	S	S
Side impact door beams		S	S	S
ABS		S	S	S
ESC (Electronic Stability Control) system		S	S	S
Brake assist function		S	S	S
TPM (Tire Pressure Monitoring System)		S	S	S
Shift lock/key interlock (AT)		-	S	S
High-mount stop lamp		S	S	S
Immobilizer		S	S	S
Visible VIN		S	S	S



www.globalsuzuki.com

Standard and optional equipment available may vary for individual markets. Please enquire at your dealers, as specifications and illustrations may refer to models not available in your region. SUZUKI MOTOR CORPORATION reserves the right to change, without notice, prices, colours, materials, equipment, specifications and models, and also to discontinue models.

All photographs in this brochure were taken with relevant permission. Images of the vehicles without number plates on public roads are composite photos. Vehicles are shown at a private off-road site.

SUZUKI MOTOR CORPORATION

300 Takatsuka-cho, Minami-ku, Hamamatsu-shi, JAPAN 432-8611

Jimmy MODE3 SPEC AND EQUIPMENT SHEET (E)
99999-BB208-842

Model Lineup



Exterior Colours: MODE3



Exterior Colours: Standard

