



The Mercedes-Benz Sprinter.

Chassis Cab and Chassis Crewcab models.

Prices effective from 1 February 2021.

Mercedes-Benz





Contents

> Model overview	3
> Mercedes PRO connect	4
> Models	
Sprinter Chassis Cab	5
Sprinter Chassis Crewcab	6
> Colours and Upholstery	7
> MBUX infotainment system	8
> Equipment	9
> Engine and gearbox	22
> Fuel consumption	23
> Weights and payloads	25
> Dimensions	26
> List prices	30
> Approved Used	31
> Finance options	32
> After care	33

Please note

This document provides information about the model range line-up and specifications of the Sprinter. It also contains key details about options, economy and performance of all variants. Details are correct at time of publication and are subject to revision. Any images used in this document may not reflect UK specification and are for illustrative purposes only. Images may show optional equipment which does not form part of UK standard specification.

The Mercedes-Benz Sprinter Chassis Cab and Chassis Crewcab.

2 van models:



Chassis Cab - 3 seats



Chassis Crewcab - 6 seats

Available in 2 emission categories:

Euro 6d temp (Light duty)

Euro IV (Heavy duty)

2 lengths:



L2 (Chassis Cab only)



L3

1 trim:



PROGRESSIVE

Discover more about the other Mercedes-Benz Sprinter diesel models in our range:

- ▶ [The Sprinter Panel Van](#)
- ▶ [The Sprinter Crew Van](#)
- ▶ [Sprinter Ready to work conversions](#)

Discover more about the Mercedes-Benz Sprinter electric models in our range:

- ▶ [The eSprinter Panel Van](#)

With Mercedes PRO connect as standard.

Mercedes PRO connect[^] is the most powerful integrated van monitoring system on the market – and it's included as standard, and free for the first 3 years, in every Sprinter.

It makes communication between drivers and colleagues easier than ever. Job and navigation details can be sent direct to the vehicle's touchscreen and you can monitor the van's performance, location and security status via an app on your phone, tablet and laptop.

➤ More safety

- **Accident recovery and roadside assistance** summons a MobiloVan technician if required*.
- **MB Emergency Call System** automatically calls the emergency services in the event of a severe accident.

➤ More security

- **Theft warning alerts and GPS tracking.** Receive alerts straight to your mobile, making it easier to recover lost or missing eVitos.
- **Set geo-fences to define a specific area for the van to operate in** and receive an alert to your mobile devices if it leaves the area.

➤ More efficiency

- **Real-time updates on critical parts** – sent to you and your preferred Dealer, encouraging proactive maintenance, repair and servicing.
- **Plan the quickest, most range-efficient journeys** – send route information and updates remotely to drivers, reducing admin time and increasing efficiency.
- **Record trips and see a journey log** to help with mileage claims.
- **Live traffic information** – automatically receive warnings about slippery roads or broken-down vehicles, helping you avoid traffic jams and lengthy tailbacks†.
- **Navigation** – find **locations** easily using the touchscreen with our geocoded map system and what3words voice navigation†.

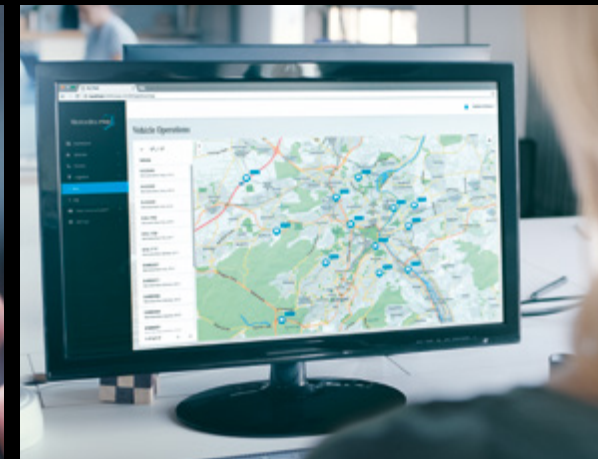
➤ Arrange a demonstration at your nearest Dealership

➤ Download the Mercedes PRO connect brochure to view all the features

[^] Mercedes PRO connect includes a range of digital services, free for up to 3 years, to help manage your vehicle. Vehicles which are set-up and activated after 1 December 2020 will not be available with the following services: Eco Monitor, Drive Style monitor, Data Interfaces, Digital Trip Management, Internet In The Van or Fleet Communication. Please check with your local Dealer for the full scope of services available with your vehicle.

* For a full list of exclusions and all product terms please visit mbvans.co.uk/mobilovan

† Optionally available with 7inch MBUX screen (E3M) and standard with 10.25inch MBUX screen (E4M).



- More than 50 services available. All free of charge for 3 years
- Simple to set up and use on multiple devices
- Integrates easily with telematics systems.

The Sprinter Chassis Cab.

The Sprinter Chassis Cab now comes with a new trimline – the PROGRESSIVE – which includes:

Interior

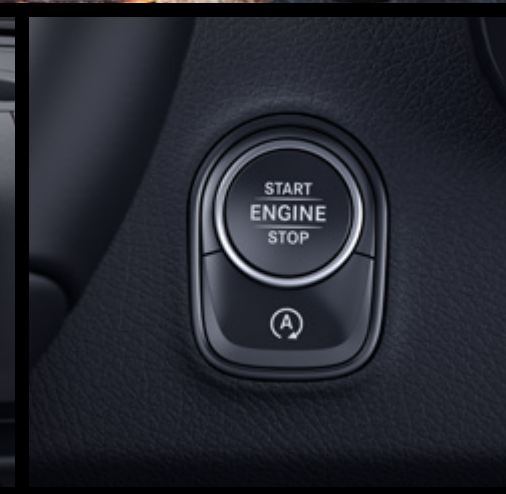
- Adjustable steering column
- Comfort overhead control panel
- Driver's armrest
- Dual Passenger seat
- Eco Start / Stop
- Full-width partition
- Height and rake steering wheel

Safety, security and connectivity

- Active Brake ASSIST
- ADAPTIVE ESP®
- Additional USB-C
- ATTENTION ASSIST
- Crosswind ASSIST
- Cruise control
- Double locks
- Integrated connected Thatcham approved alarm system
- Keyless start
- MBUX multimedia system with 7-inch touch screen
- USB-C and Bluetooth® interface, WiFi hotspot, Apple CarPlay/Android Auto and a DAB radio

Exterior

- Headlight assistant
- Heat-insulating glass



From £32,995*

* Based on a Sprinter 314 CDI Chassis L2 FWD – Euro 6

• 2 lengths available

- L2: 5,986mm (FWD) or 5,886mm (RWD)
- L3: 6,695mm (RWD)

• FWD and RWD options available

➤ [Arrange a test drive at your nearest Dealership](#)

The Mercedes-Benz Sprinter

The Sprinter Chassis Crewcab.

The Sprinter Chassis Crewcab now comes with a new trimline – the PROGRESSIVE – which includes:

Interior

- Adjustable steering column
- Comfort overhead control panel
- Driver’s armrest
- Dual Passenger seat
- Eco Start / Stop
- Full-width partition
- Height and rake steering wheel

Safety, security and connectivity

- Active Brake ASSIST
- ADAPTIVE ESP®
- Additional USB-C
- ATTENTION ASSIST
- Crosswind ASSIST
- Cruise control
- Double locks
- Integrated connected Thatcham approved alarm system
- Keyless start
- MBUX multimedia system with 7-inch touch screen
- USB-C and Bluetooth® interface, WiFi hotspot, Apple CarPlay/Android Auto and a DAB radio

Exterior

- Headlight assistant
- Heat-insulating glass

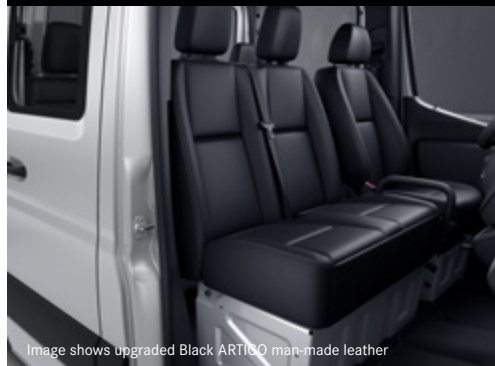


Image shows upgraded Black ARTICO man-made leather

Additional features included with the Crewcab:

- Additional passenger doors
- Passenger seat compartment – 3-seater bench 1st row
- Panelling under the roof

From £37,775*

* Based on a Sprinter 314 CDI Crewcab L3 (RWD) – Euro VI

- 1 length available
 - RWD only
- L3: 6,695mm

➤ [Arrange a test drive at your nearest Dealership](#)

The Mercedes-Benz Sprinter

Mercedes PRO connect	Sprinter Chassis Cab	Sprinter Chassis Crewcab	MBUX	Equipment	Engine and gearbox	Fuel consumption	Weights and payloads	Dimensions	List prices	Approved Used Sprinter	Aftercare
----------------------	----------------------	--------------------------	------	-----------	--------------------	------------------	----------------------	------------	-------------	------------------------	-----------

Colours and upholstery.

Solid paints



Arctic White (Standard)



Jupiter Red



Steel Blue



Blue Grey



Jet Black

Metallic paints



Cavansite Blue Metallic



Tenorite Grey Metallic



Selenite Grey Metallic



Obsidian Black Metallic

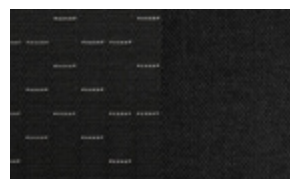


Iridium Silver Metallic

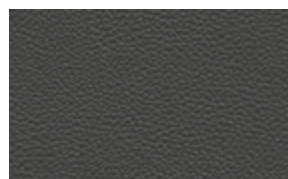
Interior upholstery



Maturin black fabric (Standard)



Caluma black fabric



Black ARTICO man-made leather

➤ [For paint pricing, see page 9](#)

➤ [For upholstery pricing, see page 15](#)

MBUX – the Mercedes-Benz User Experience infotainment system.

The state-of-the-art MBUX technology comes with a high resolution 7-inch touchscreen fitted as standard, offering intuitive touch control and enables Mercedes PRO connect services. You can also upgrade to a 10.25-inch display with HD resolution for additional features.

7-inch (standard) features

The state-of-the-art MBUX technology comes as standard in every Sprinter and offers a wealth of features:

- Works in conjunction with steering wheel touch pads, for quick and easy fingertip access
- Apple CarPlay/Android Auto, a DAB radio and Wi-Fi hotspot*
- Allows text messages and navigation data to be sent between the driver and vehicle manager when the van is stationary to increase productivity and efficiency
- Permanent internet connection to the vehicle, which enables Mercedes PRO connect services.

10.25-inch (optional upgrade) additional features

- 'Hey Mercedes', Voice Command Operation
- Navigation system powered by Mercedes PRO connect with Live Traffic, and hazard alerts and 3D map display that updates automatically
- What3words – a geocoded map system offering more accurate location services – integrated into the in-van navigation systems. Drivers with compatible models can now say or type in a 3 word address to get directions to a precise 3m x 3m location, anywhere in the world.

➤ [For more information on optional features, see page 16](#)

➤ [Download the Mercedes PRO connect brochure for more information](#)



Equipment (standard and optional overview).

Every Vito model comes with a host of standard features, plus a range of optional equipment and packages you can add to enhance your van.

Key: ● Standard ○ Optional – Not available

Equipment	Description	Option code	Front-wheel drive	Rear-wheel drive	Basic Price exc. VAT	Basic Price inc. VAT
			PROGRESSIVE	PROGRESSIVE		
Exterior Features						
Axle	Front axle with increased load capacity	A50	●	○	£260.00	£312.00
	Rear axle springs made of glass-fibre-reinforced plastic	C83	○	○	£240.00	£288.00
Exhaust	Exhaust straight to chassis rear	K60	○	○	£115.00	£138.00
Fuel Tank	50L Fuel tank Note: FWD only.	K11	○	–	£0.00	£0.00
	65L Fuel tank Note: FWD only.	K12	●	–	£0.00	£0.00
	71L Fuel tank Note: RWD only.	K13	–	●	£0.00	£0.00
	92L Fuel tank Note: FWD only.	KB8	○	–	£265.00	£318.00
	93L Fuel tank	KB7	–	○	£270.00	£324.00
	Diesel filler cap in red	K56	○	○	£20.00	£24.00
	Fuel filter with water separator	KL5	●	●	£0.00	£0.00
	Lockable AdBlue filler cap	K53	○	○	£20.00	£24.00
Mud flaps	Front mud flaps	P47	○	○	£55.00	£66.00
	Rear mud flaps	P48	○	○	£55.00	£66.00
Paint	Chrome-plated radiator grille Includes: Radiator grille frame in vehicle colour (CN2).	FK3	○	○	£205.00	£246.00
Paint	Optional colours, solid or metallic finish.	–	○	○	£685.00	£822.00
	Radiator grille frame in vehicle colour	CM2	○	○	£95.00	£114.00
Power Take Off	Constant engine speed control Includes: Parameterizable special module (ED5).	M53	○	○	£200.00	£240.00

Changes to individual option availability and combinations may occur depending on vehicle specification choices and the continuing evolution and adaptation of our product range. These changes may not be immediately reflected in this document as they occur, but will be introduced at the next revision opportunity.

Equipment (standard and optional overview).

Equipment	Description	Option code	Front-wheel drive	Rear-wheel drive	Basic Price exc. VAT	Basic Price inc. VAT
			PROGRESSIVE	PROGRESSIVE		
Exterior Features (cont.)						
Power Take Off (cont.)	Variable electronic engine speed control Includes: Parameterizable special module (ED5).	MT4	○	○	£245.00	£294.00
	Engine front power take-off with bracket for additional alternator	N62	–	○	£285.00	£342.00
	Engine power take-off at front with carrier for additional refrigerant compressor	N63	–	○	£285.00	£342.00
	Power take off counter shaft MB, (2c)	N05	–	○	£915.00	£1,098.00
	Power take off counter shaft MB, (2b)	N07	–	○	£1,035.00	£1,242.00
	Pre-installation for transmission oil cooler Includes: Power take off counter shaft MB, (2c) (N05) or power take off counter shaft MB, (2b) (N07).	GK4	–	○	£1,220.00	£1,464.00
	Transmission lock for power take-off Includes: Power take off counter shaft MB, (2c) (N05) or power take off counter shaft MB, (2b) (N07)	N80	–	○	£1,150.00	£1,380.00
Suspension	Suspension packages are available on select models, depending on application and variant. Please consult your local Dealer.					
	Air suspension – run-on module 1 h Note: Only available in conjunction with comfort suspension air suspension (CB2).	C1N	–	○	£165.00	£198.00
	Air suspension for rescue vehicles Note: Only available in conjunction with comfort suspension air suspension (CB2).	C1R	–	○	£90.00	£108.00
	Air suspension – pre-installation for control switch in rear Note: Only available in conjunction with comfort suspension air suspension (CB2).	C1V	–	○	£75.00	£90.00
	Air suspension – actuation, speed signal Note: Only available in conjunction with comfort suspension air suspension (CB2).	C2A	–	○	£90.00	£108.00
	Air suspension – control switch in instrument panel Note: Only available in conjunction with comfort suspension air suspension (CB2).	C2I	–	○	£120.00	£144.00
	Air suspension – valve for emergency filling Note: Only available in conjunction with comfort suspension air suspension (CB2).	C2V	–	○	£115.00	£138.00
	Comfort air suspension	CB2	–	○	£2,280.00	£2,736.00
	Deletion, vehicle lowering Note: Only available for vehicles in the weight classes 3,000 kg and 3,500 kg with rear-wheel drive.	CW2	○	○	£0.00	£0.00
	Longitudinal member reinforcement	Q11	●	●	£0.00	£0.00
	Reinforced shock absorbers	C47	○	○	£105.00	£126.00

● Standard ○ Optional – Not available

Equipment (standard and optional overview).

Equipment	Description	Option code	Front-wheel drive	Rear-wheel drive	Basic Price exc. VAT	Basic Price inc. VAT	
			PROGRESSIVE	PROGRESSIVE			
Exterior Features (cont.)							
Suspension (cont.)	Stabilisation level I Note: Not available for weight class 4,100 kg with front-wheel drive. Replaces CF2 to CF3 from previous Sprinter.	CB7	●	●	£0.00	£0.00	
	Stabilisation level II Note: replaces CF4 and CF5 from previous Sprinter.	CB8	○	○	£690.00	£828.00	
	Suspension for comfort and cargo protection	CB1	○	○	£320.00	£384.00	
	Vibration damper	CT1	–	○	£85.00	£102.00	
Tyres	Summer tyres	RM7	●	●	£0.00	£0.00	
	All-season tyres	RM0	○	○	£100.00	£120.00	
	Mud and slush tyres	RM1	○	○	£195.00	£234.00	
	Tyres without name of make	RD9	●	●	£0.00	£0.00	
	Resistance-optimised tyres	RR0	●	●	£0.00	£0.00	
Tyres	Continental tyres	RF1	○	○	£0.00	£0.00	
	Goodyear (90) tyres	RF9	○	○	£0.00	£0.00	
	Michelin (80) tyres	RF8	○	○	£0.00	£0.00	
	Pirelli (50) tyres	RF5	○	○	£0.00	£0.00	
	Tyres 225/65 R16 C	RN5	●	○	£0.00	£0.00	
	Tyres 225/75 R16 C	RG8	–	–	£0.00	£0.00	
	Tyres 235/65 R16 C	RH2	–	●	£0.00	£0.00	
	Tyres 235/60 R17 C	RH3	–	○	£0.00	£0.00	
	Tyre pressure monitoring systems	RY2	○	○	£245.00	£294.00	
	Steel wheels in arctic white	RM2	○	○	£60.00	£72.00	
	Steel wheels 6.5 J x 16	RS3	●	●	£0.00	£0.00	
	Wheels	Light-alloy wheels 6.5 J x 16	RL5	○	○	£650.00	£780.00
		Light-alloy wheels, 6.5 J x 16 in black	RM3	○	–	£755.00	£906.00
Light-alloy wheels 6.5 J x 17 Includes: Tyres 235/60 R17 C (RH3).		RL7	–	○	£715.00	£858.00	

● Standard ○ Optional – Not available

Equipment (standard and optional overview).

Equipment	Description	Option code	Front-wheel drive	Rear-wheel drive	Basic Price exc. VAT	Basic Price inc. VAT
			PROGRESSIVE	PROGRESSIVE		
Exterior Features (cont.)						
Wheels (cont.)	Full wheel cover	RD8	○	○	£95.00	£114.00
	Spare wheel	R87	●	●	£0.00	£0.00
	Omission of spare wheel	R020	○	–	-£55.00	-£66.00
	Spare wheel bracket below frame end	R65	●	●	£0.00	£0.00
	Jack	Y36	●	–	£0.00	£0.00
	Hydraulic Jack	Y43	–	●	£0.00	£0.00
Interior Features						
Gearbox	6-speed manual transmission	GE9	●	–	£0.00	£0.00
	ECO Gear 360 6-speed manual transmission	GD8	–	●	£0.00	£0.00
	9G-TRONIC automatic gearbox (RWD Euro 6 only)	G43	–	○	£1,970.00	£2,364.00
	9G-TRONIC automatic gearbox (FWD)	GK8	○	–	£1,930.00	£2,316.00
	7G-TRONIC automatic gearbox (RWD Euro VI engines only)	G42	–	○	£1,930.00	£2,316.00
Grab handles	Grab handles for driver's and co-driver's doors	T75	○	○	£65.00	£78.00
	Grab handle for inner seat, two-seater	S78	○	○	£45.00	£54.00
Heating	Heat insulation	H04	○	○	£100.00	£120.00
	Electric hot-air auxiliary heater	HH2	○	○	£180.00	£216.00
	Heater booster system	HZ9	○	○	£485.00	£582.00
	Hot-water auxiliary heater	H12	○	○	£625.00	£750.00
	Pre-installation for additional heat exchanger Includes: Sliding door (T93) and Hot-water auxiliary heater (H12).	H88	○	○	£800.00	£960.00
	Radio remote control for hot-water auxiliary heater Includes: Hot-water auxiliary heater (H12).	HY1	○	○	£870.00	£1,044.00
	THERMOTRONIC automatic climate control system Includes: Rain sensor (JF1).	HH4	○	○	£2,105.00	£2,526.00
	TEMPMATIC semi-automatic climate control system	HH9	–	○	£1,000.00	£1,200.00
	TEMPMATIC semi-automatic climate control system Includes: FWD includes Alternator 14V/230A (M48).	HH9	○	–	£1,155.00	£1,386.00
Ventilation system with filter	H81	○	○	£75.00	£90.00	

● Standard ○ Optional – Not available

The Mercedes-Benz Sprinter

12

Equipment (standard and optional overview).

Equipment	Description	Option code	Front-wheel drive	Rear-wheel drive	Basic Price exc. VAT	Basic Price inc. VAT
			PROGRESSIVE	PROGRESSIVE		
Interior Features						
Seating	Armrest for driver's seat	S22	●	●	£50.00	£60.00
	Armrest for co-driver's seat	S25	○	○	£45.00	£54.00
	Armrest, driver's and co-driver's door	S28	○	○	£35.00	£42.00
	Adjustable co-driver's seat	S04	○	○	£0.00	£0.00
	Comfort driver's seat	SB1	○	○	£110.00	£132.00
	Comfort co-driver's seat	SB2	○	○	£110.00	£132.00
	Convenience head restraint, driver's seat	SK0	○	○	£60.00	£72.00
	Convenience head restraint, co-driver's seat	SK1	○	○	£60.00	£72.00
	Co-driver's double seat	S23	●	●	£0.00	£0.00
	Deletion of co-driver seat, seatbox and seatbelt system	S91, S99, SW1	○	○	£0.00	£0.00
	Deletion of passenger compartment seats, if crew cab	S92	–	–	-£90.00	-£108.00
	Driver's seat	S02	●	●	£0.00	£0.00
	Driver's seat plus	SB9	○	○	£25.00	£30.00
	Driver's seat electrically adjustable Includes: Lumbar support, driver's seat (SE5), Fabric Caluma black (VF4) and Heated seat for driver (H16).	SF1	○	○	£1,155.00	£1,386.00
	Co-driver's seat electrically adjustable Includes: Seat heating for co-driver (H15) and Heated driver's seat electrically adjustable (SF1).	SF2	○	○	£2,250.00	£2,700.00
	Heated seat for driver	H16	○	○	£155.00	£186.00
	Lumbar support, driver's seat Includes: Comfort driver's seat (SB1).	SE5	○	○	£65.00	£78.00
	Lumbar support, co-driver's seat Includes: Comfort co-driver's seat (SB2).	SE4	○	○	£175.00	£210.00
Re-enforced seat base	S86	–	–	£105.00	£126.00	
Seat heating for co-driver Includes: Heated seat for driver (H16).	H15	○	○	£310.00	£372.00	
Seat belts orange, driver and co-driver	S62	○	○	£35.00	£42.00	

● Standard ○ Optional – Not available

Equipment (standard and optional overview).

Equipment	Description	Option code	Front-wheel drive	Rear-wheel drive	Basic Price exc. VAT	Basic Price inc. VAT
			PROGRESSIVE	PROGRESSIVE		
Interior Features (cont.)						
Seating (cont.)	Suspension seat, comfort version, driver's seat Note: Only available in conjunction with Driver's seat frame, low (S87).	SB3	○	○	£385.00	£462.00
	Suspension seat, comfort version, co-driver's seat Note: Only available in conjunction with Driver's seat frame, low (S87).	SB4	○	○	£385.00	£462.00
Trim	Seat trim upholstery – ARTICO man-made leather, black	VF6	○	○	From £55.00 depending on variant	
	Seat trim upholstery – Maturin black fabric	VF7	●	●	£0.00	£0.00
	Seat trim upholstery – Caluma black fabric	VF4	○	○	From £55.00 depending on variant	
	Rear cab wall lining	V07	○	○	£130.00	£156.00
Steering wheel	Leather steering wheel and leather gearshift lever	CL2	○	○	£200.00	£240.00
	Leather steering wheel Note: For automatics only. Includes: 7G-TRONIC PLUS (G42) and HOLD function (BH1).	CL3	○	○	£1,675.00	£2,010.00
	Multifunction steering wheel	C6L	●	●	£0.00	£0.00
	Steering wheel adjustable for height and tilt	CL1	●	●	£0.00	£0.00
Storage	Cup holders front – x4	FG8	○	○	£0.00	£0.00
	Hinged lid for centre stowage compartment	FJ1	●	●	£0.00	£0.00
	Hinged lid for stowage compartments left and right	FJ5	○	○	£95.00	£114.00
	Multifunction box on two-seater, stowable. Only in conjunction with: Co-driver's double seat (S23).	Y2A	○	○	£90.00	£108.00
	Omission of shelf above windscreen	FW6	–	○	£0.00	£0.00
	Omission of stowage compartment under cockpit	F3W	–	○	£0.00	£0.00
	Pre-installation for switch panel	E3J	●	●	£0.00	£0.00
	Shelf above windscreen	FF5	●	●	£0.00	£0.00
	Single-size slot at front under roof liner	FF8	○	○	£65.00	£78.00
	Stowage compartment underneath cockpit	FJ4	●	●	£0.00	£0.00
	Stowage net on driver's seat backrest	SZ7	○	○	£45.00	£54.00
	Stowage net on co-driver's seat backrest	SZ8	○	○	£45.00	£54.00
Lockable unit in stowage compartment over windscreen	FQ6	○	○	£50.00	£60.00	

● Standard ○ Optional – Not available

Equipment (standard and optional overview).

Equipment	Description	Option code	Front-wheel drive	Rear-wheel drive	Basic Price exc. VAT	Basic Price inc. VAT
			PROGRESSIVE	PROGRESSIVE		
Technology Software and Electrics						
Alternators	Alternator 14 V / 175 A	=	●	–	£0.00	£0.00
	Alternator 14 V / 200 A	M40	–	●	£0.00	£0.00
	Alternator 14 V / 230 A	M48	○	–	£460.00	£552.00
	Alternator 14 V / 250 A	M60	–	○	£460.00	£552.00
	Alternator 14 V / 280 A	M61	–	○	£750.00	£900.00
Audio Entertainment	Navigation Includes: 3 years of free map updates (EX9), Digital Owner's Manual (XO5) and Live Traffic capability (E1G).	E1E	○	○	£690.00	£828.00
	Communication module (LTE) for digital services Transfers data particularly rapidly and reliably with its permanently installed SIM card, creating the technical conditions for using the Mercedes PRO connect services.	JH3	●	●	£0.00	£0.00
	Digital Radio (DAB)	E1D	●	●	£0.00	£0.00
	MBUX multimedia system with 7-inch touch screen The MBUX multimedia system with 17.8 cm (7-inch) touchscreen boasts intuitive touchscreen operation, a high-resolution touchscreen and a wealth of communication and infotainment features.	E3M	●	●	£0.00	£0.00
Audio Entertainment	MBUX multimedia system with 10.25-inch touch screen Features of the MBUX multimedia system with high-resolution 26 cm (10.25-inch) touchscreen include fast hard-disc navigation with 3-D map display and smartphone integration.	E4M	○	○	£1,810.00	£2,172.00
Battery	AGM battery, 12 V 70 Ah	ED1	○	○	£0.00	£0.00
	Auxiliary battery retrofit consumers vehicle interior Includes: Cut-off relay for auxiliary battery (E36).	E2I	○	○	£325.00	£390.00
	Battery master switch, single-pin	E30	○	○	£105.00	£126.00
	Cut-off relay for auxiliary battery	E36	○	○	£95.00	£114.00
	Engine run-on system (Note exemption may be required).	MW1	○	○	£810.00	£972.00
	Heavy-duty battery (12v 92 aH)	ED4	●	●	£0.00	£0.00
	Jump start contact	ES0	●	●	£0.00	£0.00
Electronics	Charging package, dashboard (Two 5v USB-C sockets and 12v socket)	ES5	○	○	£65.00	£78.00
	Extension of Programmable System Module (PSM) standard contact (Additional connection options for body manufacturers).	E5M	○	○	£60.00	£72.00

● Standard ○ Optional – Not available

Equipment (standard and optional overview).

Equipment	Description	Option code	Front-wheel drive	Rear-wheel drive	Basic Price exc. VAT	Basic Price inc. VAT
			PROGRESSIVE	PROGRESSIVE		
Technology Software and Electrics (cont.)						
Electronics (cont.)	Parameterizable special module	ED5	○	○	£285.00	£342.00
	Plug socket in cab	E46	○	○	£45.00	£54.00
	Pre-installation for 3-way tipper	P57	–	–	£950.00	£1,140.00
	Pre-wiring for parameterizable special module (PSM)	ED8	●	●	£0.00	£0.00
	Terminal strip for electrical connection	EK1	●	●	£0.00	£0.00
	Tray for smartphones Includes: Wireless charging.	E1B	○	○	£1,140.00	£1,368.00
	USB-C socket, 5 V	E1U	●	●	£0.00	£0.00
Keys	2 additional master keys	FZ9	○	○	£110.00	£132.00
Keys	Multi-button key	FY7	○	○	£30.00	£36.00
Tachograph	EU Intelligent Tachograph Std over 3.5T Note: Standard on 5 series Sprinter Chassis	JD6	○	○	£735.00	£882.00
	Omission tachograph Includes: Linear speed limiter 90 km/h EG (MD4), Qualification N2 (Z2N), Weight variant 3,550 kg (XG4) and Lane Keeping ASSIST (JW5).	J92	○	○	£0.00	£0.00
	Tachograph control under dashboard, co-driver side	J2B	○	○	£0.00	£0.00
Driver's Assistance and Safety Equipment						
Airbags	Airbag driver seat	SA5	●	●	£0.00	£0.00
	Airbag co-drivers seat Includes: Seatbelt reminder for co-drivers seat.	SA6	○	○	£415.00	£498.00
	Thorax/pelvis/side airbag for driver Includes: Front airbag co-driver (SA6) and Seat belt reminder (J55).	SH1	○	○	£755.00	£906.00
	Thorax/pelvis/side airbag for co-driver Includes: Thorax/pelvis/side airbag for driver (SH1), Front airbag co-driver (SA6) and Seat belt reminder (J55).	SH2	○	○	£990.00	£1,188.00
	Window airbags for driver and co-driver	SH9	○	○	£575.00	£690.00
Brake	Active Brake ASSIST Active Brake ASSIST can help to prevent accidents with vehicles ahead and crossing pedestrians or to mitigate their consequences.	BA3	●	●	£0.00	£0.00
	Adaptive brake light	LE1	●	●	£0.00	£0.00

● Standard ○ Optional – Not available

Equipment (standard and optional overview).

Equipment	Description	Option code	Front-wheel drive	Rear-wheel drive	Basic Price exc. VAT	Basic Price inc. VAT
			PROGRESSIVE	PROGRESSIVE		
Driver's Assistance and Safety Equipment (cont.)						
Brake (cont.)	Electrical parking brake	B25	○	○	£270.00	£324.00
	Folding handbrake lever	BE2	○	○	£55.00	£66.00
	Hill-Start ASSIST Hill-Start ASSIST works by sensing the van is on an incline and holding the brakes for a few seconds – even after the handbrake has been released – until the clutch's biting point has been found and the van begins to move forwards.	E07	●	●	£0.00	£0.00
	HOLD function (Braking assistance on downhill stretches and at a traffic light stop). Only in conjunction with: G42 or GK8.	BH1	○	○	£0.00	£0.00
	Wheel chock Note: Standard on over 3.5t	Y26	○	○	£45.00	£54.00
Driver's Assistance	Active Distance ASSIST DISTRONIC Includes: Leather steering wheel (CL3), Instrument cluster with colour display (JK5), 7G-TRONIC PLUS (G42) and HOLD function (BH1).	ET4	○	○	£2,610.00	£3,132.00
	Active Lane Keeping ASSIST Active Lane Keeping ASSIST can help to detect when the vehicle is unintentionally departing its lane, warn the driver and, if necessary, actively help to return the vehicle to its lane by means of braking interventions.	JB4	○	○	£410.00	£492.00
	ATTENTION ASSIST The ATTENTION ASSIST drowsiness detection system can recognise early signs of fatigue on long routes and night-time drives, and prompt the driver to take a break from driving.	JW8	●	●	£0.00	£0.00
	Comfort overhead control panel LED interior lighting including cab downlighting and co-/driver reading lamps; also includes a convenient spectacles compartment.	LC4	●	●	£0.00	£0.00
	Crosswind ASSIST Crosswind ASSIST detects track offset caused by strong crosswind gusts in due time and helps the driver to stay in lane.	JA8	●	●	£0.00	£0.00
	Cruise control Includes speed limiter function. Operated via a lever ergonomically positioned on the left of the steering column.	MS1	●	●	£0.00	£0.00
	Fire extinguisher	Y16	○	○	£105.00	£126.00
	First aid kit	Y10	○	○	£0.00	£0.00

● Standard ○ Optional – Not available

Equipment (standard and optional overview).

Equipment	Description	Option code	Front-wheel drive	Rear-wheel drive	Basic Price exc. VAT	Basic Price inc. VAT
			PROGRESSIVE	PROGRESSIVE		
Driver's Assistance and Safety Equipment (cont.)						
Driver's Assistance (cont.)	Lane Keeping ASSIST Lane Keeping ASSIST can help prevent accidents caused by unintentional lane departures with visual, audible and tactile signals.	JW5	○	○	£340.00	£408.00
	Provision electrics for reversing aid	FR7	○	○	£95.00	£114.00
	Rain sensor The rain sensor automatically regulates the wiping frequency of the windscreen wipers with activated intermittent wiping, which makes things easier for the driver.	JF1	○	○	£105.00	£126.00
	Reversing warning device includes Switch-off (JW3)	JW0	○	○	£210.00	£252.00
	Traffic Sign ASSIST Includes: 3 years of free map updates (EX9), Digital Owner's Manual (XO5), Instrument cluster with colour display (JK5), Navigation (E1E) and Live Traffic capability (E1G).	JA9	○	○	£1,105.00	£1,326.00
	Warning triangle	Y44	○	○	£0.00	£0.00
	WET WIPER system. The WET WIPER SYSTEM windscreen wiper system offers the driver an improved view already during the wiping process. Includes: Rain sensor (JF1).	FM3	○	○	£105.00	£126.00
Road speed limiters	Linear speed limiter 90 km/h	MD5	○	○	£70.00	£84.00
	Linear speed limiter 100 km/h	MD3	○	○	£70.00	£84.00
	Linear speed limiter 120 km/h	MD4	○	○	£70.00	£84.00
	Speed limiter, 110 km/h	MK0	○	○	£130.00	£156.00
	Speed limiter, 130 km/h	MK2	○	○	£130.00	£156.00
Safety	Breakdown management	EY6	●	●	£0.00	£0.00
	Clearance light on roof	LB8	○	○	£290.00	£348.00
	ECO start/stop function Note: Not available in conjunction with AWD or 314 RWD Chassis Includes: Alternator 14 V/200 A (M40) on RWD.	MJ8	●	●	£270.00	£324.00
	Deactivation of bulb failure indicator	JW2	○	○	£0.00	£0.00
	Live Traffic capability Note: Only available in conjunction with navigation.	E1G	○	○	£0.00	£0.00
	Incorrect fuelling protection system	K51	○	○	£50.00	£60.00
	Mercedes-Benz emergency call system	EY5	●	●	£0.00	£0.00

● Standard ○ Optional – Not available

Equipment (standard and optional overview).

Equipment	Description	Option code	Front-wheel drive	Rear-wheel drive	Basic Price exc. VAT	Basic Price inc. VAT
			PROGRESSIVE	PROGRESSIVE		
Driver's Assistance and Safety Equipment (cont.)						
Safety (cont.)	Outside temperature indicator	J65	●	●	£0.00	£0.00
	Seat belt reminder for co-driver seat	J55	○	○	£95.00	£114.00
	Seat belt warning for driver's seat	J58	●	●	£0.00	£0.00
Security	Anti-theft Alarm Alarm protection for vehicle and cargo.	FY1	●	●	£0.00	£0.00
	Double locks	FY2	●	●	£0.00	£0.00
	VIN visible from outside	XC8	●	●	£0.00	£0.00
Lighting						
Lighting	Courtesy lights The exit lights at the front doors and sliding doors improve comfort and safety when getting in and out – both for driver and co-driver as well as for the passengers in the passenger compartment.	LB9	○	○	£70.00	£84.00
	Direction indicators on the front wings Includes: Exterior mirrors without indicators (FU5).	L44	○	○	£95.00	£114.00
	Fog lamps with cornering light function	L13	○	○	£200.00	£240.00
	Headlight assistant The automatic headlamps automatically switch the dipped beams on and off depending on the current light conditions, which increases the driving comfort for the driver, and the road safety.	LA2	●	●	£0.00	£0.00
	Highbeam ASSIST Highbeam ASSIST automatically switches the main beams on and off in line with the traffic situation and thereby relieves the driver of manually switching back and forth between main beams and dipped beams.	LA1	○	○	£265.00	£318.00
	LED high performance headlamps Includes: Tail lamps with partial LED technology (L22).	LG7	○	○	£1,470.00	£1,764.00
	Lights for left hand traffic	L10	●	●	£0.00	£0.00
	Preparation for side marker lights	LB2	–	–	£0.00	£0.00
	Omission parking lamp	L94	○	○	£0.00	£0.00
	Side marker lights Note: Standard on L2 upwards.	LB1	–	●	£0.00	£0.00
	Tail lamps with partial LED technology Note: Only available as part of the LED High Performance headlamps (LG7).	L22	○	○	£1,470.00	£1,764.00
	Tail light wiring harness, extended	L76	–	–	£75.00	£90.00

● Standard ○ Optional – Not available

Equipment (standard and optional overview).

Equipment	Description	Option code	Front-wheel drive	Rear-wheel drive	Basic Price exc. VAT	Basic Price inc. VAT
			PROGRESSIVE	PROGRESSIVE		
Loading and Towing						
Gross Vehicle Weight (GVW)	Weight variant 3,550 kg XG4 is available as a uprated payload variant for vehicles of the weight class 3,500 kg with front or rear-wheel drive.	XG4	○	○	£340.00	£408.00
	Weight variant 2,800 kg Weight variant XG5 is available as a downrated payload variant for vehicles of the weight class 5,000 kg with rear-wheel drive.	XG6	○	–	£0.00	£0.00
Load Area	Omission wooden floor	V010	○	○	£0.00	£0.00
Towing Equipment	Crossmember for trailer coupling	Q10	○	○	£230.00	£276.00
	Electrical components for trailer socket	E57	○	○	£105.00	£126.00
	Pre-installation for vehicle towing capacity up to 2,800 kg Includes: Electrical components for trailer socket (E57). Axle ratio i = 4,182 (AR3).	QA5	–	○	£155.00	£186.00
	Pre-installation for vehicle towing capacity up to 3,500 kg Includes: Electrical components for trailer socket (E57). Axle ratio i = 4,727 (AR5).	QA3	–	○	£300.00	£360.00
	Removable tow ball trailer coupling	Q50	○	○	£380.00	£456.00
	Towing eye rear	Q67	○	○	£15.00	£18.00
	Trailer coupling for increased towing capacity 2.8 t/3.0 t Includes: Electrical components for trailer socket (E57). Axle ratio i = 4,182 (AR3).	QA8	–	○	£565.00	£678.00
	Trailer coupling for increased towing capacity of 3.5 t Includes: Electrical components for trailer socket (E57). Axle ratio i = 4,727 (AR5) + 7G-TRONIC PLUS (G42).	QA7	–	○	£635.00	£762.00
	Trailer coupling with fixed tow ball	Q22	○	○	£335.00	£402.00
	Trailer coupling with mouth 243 / U115	Q20	–	○	£490.00	£588.00
	Trailer socket, 13-pin	E43	○	○	£140.00	£168.00
Mirrors and Windows						
Mirrors	Electrically foldable exterior mirrors Includes: Side mirrors, heated and power-adjustable (F68).	F64	○	○	£220.00	£264.00
	Exterior mirrors without indicators Includes: Direction indicators on the side at the front (L44).	FU5	○	○	£95.00	£114.00
	Heated and power-adjustable side mirrors	F68	○	○	£170.00	£204.00
	Omission of extended mirror bracket	FA70	–	–	£0.00	£0.00

● Standard ○ Optional – Not available

Equipment (standard and optional overview).

Equipment	Description	Option code	Front-wheel drive PROGRESSIVE	Rear-wheel drive PROGRESSIVE	Basic Price exc. VAT	Basic Price inc. VAT
Mirrors and Windows (cont.)						
Mirrors (cont.)	Rear-view mirror	F61	○	○	£0.00	£0.00
Windows	Omission of window in cab rear wall	FB00	○	○	£0.00	£0.00
	Heat-insulating glass all round	H20	○	○	£130.00	£156.00
	Heat-insulating glass with filter band on windscreen	H21	●	●	£0.00	£0.00
	Windscreen, heated Includes: Air conditioning, semi-automatically controlled, TEMPMATIC (HH9).	F49	○	○	£1,330.00	£1,596.00

● Standard ○ Optional – Not available

Engine and gearbox.

	Euro 6d-TEMP			Euro VI		
	x14CDI	x15CDI	x17CDI	x14CDI	x16CDI	x19CDI
Fuel	Diesel			Diesel		
Mixture preparation/ injection method	Common-rail direct injection with twin stage turbocharging			Common-rail direct injection with twin stage turbocharging		
Cylinder arrangement	4 cyl 16v			4cyl 16v	6cyl 24v	
Cubic capacity	2,143cc	1,950cc		2,143cc		2987cc
EU exhaust emission standard	Euro 6d-TEMP			Euro VI		
Output, max. at 3,800rpm	143hp	150hp	170hp	143hp	163hp	190hp
	105kW	110kW	125kW	100kW	120kW	140kW
Torque, max.	330 Nm at 1,200-2,400rpm	340 Nm at 1,500-2,400rpm	380 Nm at 1,600-2,400rpm	330 Nm at 1,200-2,400rpm	360 Nm at 1,400-2,400rpm	440 Nm at 1,400-2,400rpm
Fuel tank capacity FWD	65 Litres	-	-	-		
Fuel tank capacity RWD	-	71 litres		71 litres		
AdBlue® capacity	22 litres			22 litres		
6-speed manual transmission	●	●	●	●	●	●
7G-TRONIC	-	-	-	○	○	○
9G-TRONIC	○	○	○	-	-	-
Front-wheel drive	●	-	-	-	-	-
Rear-wheel drive	-	●	●	●	●	●
Alternator	14 V / 175 A	14 V / 180 A		14 V / 180 A		
Battery	Heavy-duty battery (12v 92 aH)			Heavy-duty battery (12v 92 aH)		

● Standard ○ Optional – Not available

Fuel consumption, performance and CO₂ emissions.

Euro 6d-TEMP					
Model	Fuel Consumption (MPG)				
	Combined	Low-Speed	Medium-Speed	High-Speed	Extra High-Speed
Chassis Cab – PROGRESSIVE					
314 Chassis L2 FWD E6	30.1	29.4	36.2	35.3	24.8
315 Chassis L2 RWD E6	34.9	32.8	36.7	35.8	34.4
315 Chassis L3 RWD E6	29.4	32.5	36.2	34.0	23.0
317 Chassis L2 RWD E6	29.4	32.5	35.8	34.4	23.2
317 Chassis L3 RWD E6	29.4	32.5	35.8	34.0	23.2
Chassis Crewcab – PROGRESSIVE					
315 Crewcab L3 RWD E6	28.5	31.0	34.4	33.2	22.4

Euro VI					
Model	Fuel Consumption (MPG)				
	Combined	Low-Speed	Medium-Speed	High-Speed	Extra High-Speed
Chassis Cab – PROGRESSIVE					
314 Chassis L2 RWD EVI	Coming soon.				
314 Chassis L3 RWD EVI					
316 Chassis L2 RWD EVI					
316 Chassis L3 RWD EVI					
514 Chassis L2 RWD EVI					
514 Chassis L3 RWD EVI					
516 Chassis L2 RWD EVI					
516 Chassis L3 RWD EVI					
519 Chassis L2 RWD EVI					
519 Chassis L3 RWD EVI					
Chassis Crewcab – PROGRESSIVE					
314 Crewcab L3 RWD EVI	Coming soon.				
514 Crewcab L3 RWD EVI					

All figures are based on a standard specification. The choice of wheels and transmission may affect CO₂ emissions and corresponding Road Fund Licence. The indicated values were determined according to the prescribed measurement method – Worldwide Harmonised Light Vehicle Test Procedure (WLTP). Figures shown may include options which are not available in the UK. Figures shown are for comparability purposes; only compare with other vans tested to the same technical procedures. Figures may not reflect real life driving results, which will depend upon a number of factors including factory-fitted options, accessories fitted (post registration), variations in weather, driving styles and vehicle load. Further information about the test used to establish fuel consumption and CO₂ figures can be found at <https://www.Mercedes-Benz.co.uk/vans/en/WLTP>

Fuel consumption, performance and CO₂ emissions.

Euro 6d-TEMP					
Model	CO ₂ emissions (g/km)				
	Combined	Low-Speed	Medium-Speed	High-Speed	Extra High-Speed
Chassis Cab – PROGRESSIVE					
314 Chassis L2 FWD E6	246	251	205	209	300
315 Chassis L2 RWD E6	212	226	202	208	216
315 Chassis L3 RWD E6	251	229	205	217	323
317 Chassis L2 RWD E6	251	227	207	215	320
317 Chassis L3 RWD E6	252	229	208	217	320
Chassis Crewcab – PROGRESSIVE					
315 Crewcab L3 RWD E6	259	238	214	223	330

Euro VI					
Model	CO ₂ emissions (g/km)				
	Combined	Low-Speed	Medium-Speed	High-Speed	Extra High-Speed
Chassis Cab – PROGRESSIVE					
314 Chassis L2 RWD EVI	Coming soon.				
314 Chassis L3 RWD EVI					
316 Chassis L2 RWD EVI					
316 Chassis L3 RWD EVI					
514 Chassis L2 RWD EVI					
514 Chassis L3 RWD EVI					
516 Chassis L2 RWD EVI					
516 Chassis L3 RWD EVI					
519 Chassis L2 RWD EVI					
519 Chassis L3 RWD EVI					
Chassis Crewcab – PROGRESSIVE					
314 Crewcab L3 RWD EVI	Coming soon.				
514 Crewcab L3 RWD EVI					

All figures are based on a standard specification. The choice of wheels and transmission may affect CO₂ emissions and corresponding Road Fund Licence. The indicated values were determined according to the prescribed measurement method – Worldwide Harmonised Light Vehicle Test Procedure (WLTP). Figures shown may include options which are not available in the UK. Figures shown are for comparability purposes; only compare with other vans tested to the same technical procedures. Figures may not reflect real life driving results, which will depend upon a number of factors including factory-fitted options, accessories fitted (post registration), variations in weather, driving styles and vehicle load. Further information about the test used to establish fuel consumption and CO₂ figures can be found at <https://www.Mercedes-Benz.co.uk/vans/en/WLTP>

Weights and payloads.

Euro 6d-TEMP

Model	Kerb weight (kg)	Gross Vehicle Weight (kg)	Payload (kg)	Gross Train Weight (kg)
Chassis Cab – PROGRESSIVE				
314 Chassis L2 FWD E6	1,826	3,500	1,674	5,500
315 Chassis L2 RWD E6	1,877	3,500	1,623	5,500
315 Chassis L3 RWD E6	1,910	3,500	1,590	5,500
317 Chassis L2 RWD E6	1,903	3,500	1,597	5,500
317 Chassis L3 RWD E6	1,936	3,500	1,564	5,500
Chassis Crewcab – PROGRESSIVE				
315 Crewcab L3 RWD E6	2,089	3,500	1,411	5,500

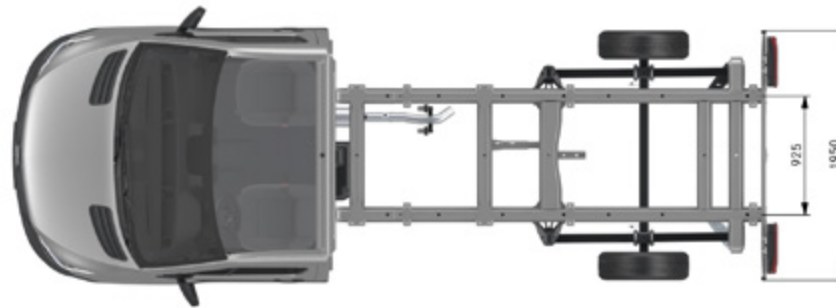
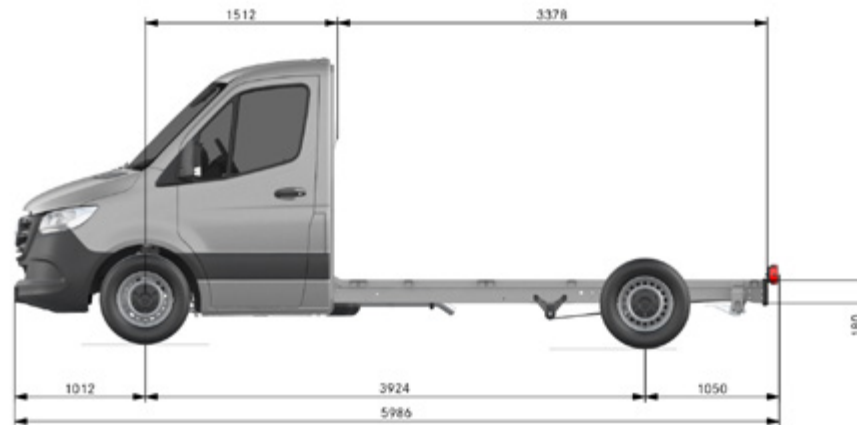
Euro VI

Model	Kerb weight (kg)	Gross Vehicle Weight (kg)	Payload (kg)	Gross Train Weight (kg)
Chassis Cab – PROGRESSIVE				
314 Chassis L2 RWD EVI	1,875	3,500	1,625	5,500
314 Chassis L3 RWD EVI	1,908	3,500	1,592	5,500
316 Chassis L2 RWD EVI	1,875	3,500	1,625	5,500
316 Chassis L3 RWD EVI	1,908	3,500	1,592	5,500
514 Chassis L2 RWD EVI	2,095	5,000	2,905	7,000
514 Chassis L3 RWD EVI	2,135	5,000	2,865	7,000
516 Chassis L2 RWD EVI	2,095	5,000	2,905	7,000
516 Chassis L3 RWD EVI	2,135	5,000	2,865	7,000
519 Chassis L2 RWD EVI	2,128	5,000	2,872	7,000
519 Chassis L3 RWD EVI	2,168	5,000	2,832	7,000
Chassis Crewcab – PROGRESSIVE				
314 Crewcab L3 RWD EVI	2,087	3,500	1,413	5,500
514 Crewcab L3 RWD EVI	2,319	5,000	2,681	7,000

Dimensions.

CHASSIS CAB FRONT-WHEEL DRIVE L2

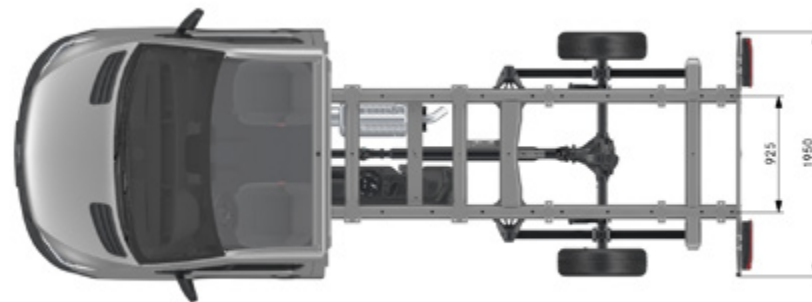
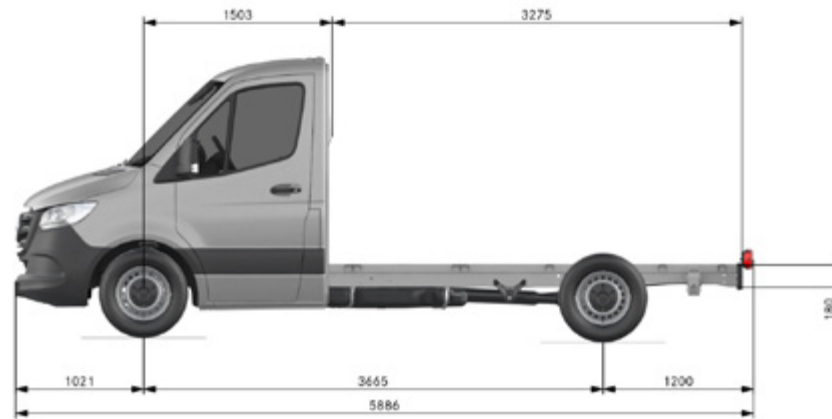
Wheelbase	Wheelbase length	3,924mm
	Turning circle	15.2m
	Track circle	14.4m
	Front track width	1,759mm
	Rear track width	1,770mm
Vehicle	Length	5,986mm
	Height (unladen)	2,292mm
	Width (inc. wing mirrors)	2,345mm
	Ground clearance	143mm



Dimensions.

CHASSIS CAB REAR-WHEEL DRIVE L2

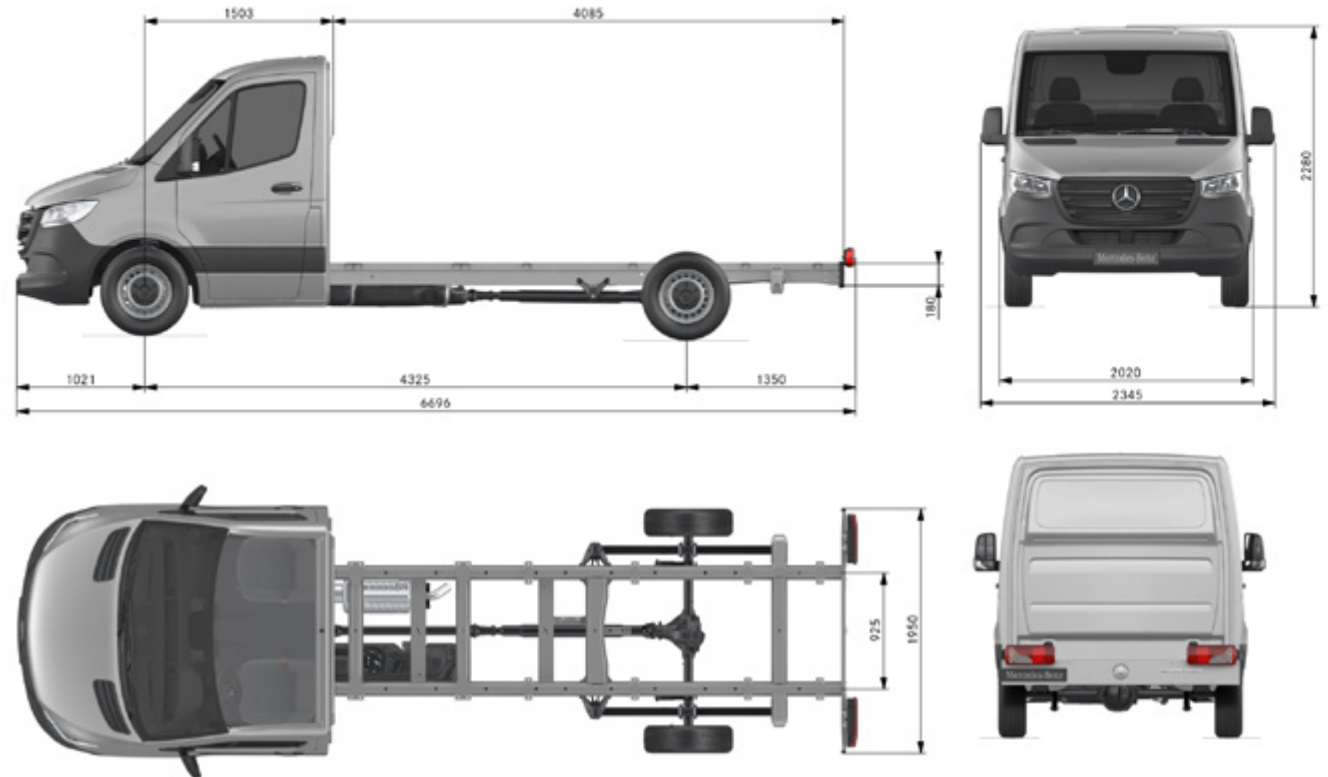
Wheelbase	Wheelbase length	3,665mm
	Turning circle	13.3m
	Track circle	12.4m
	Front track width	1,726mm
	Rear track width	1,732mm
Vehicle	Length	5,886mm
	Height (unladen)	2,318mm
	Width (inc. wing mirrors)	2,345mm
	Ground clearance	188mm



Dimensions.

CHASSIS CAB REAR-WHEEL DRIVE L3

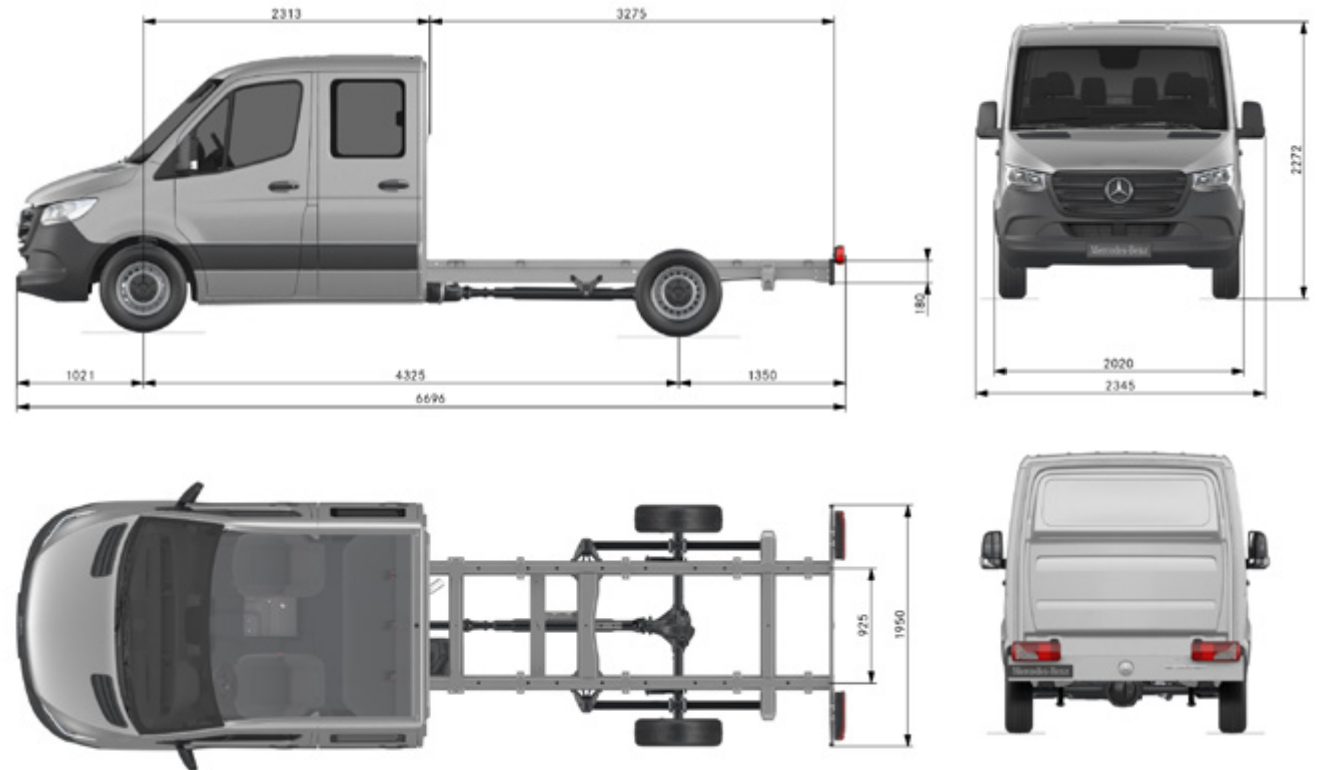
Wheelbase	Wheelbase length	4,325mm
	Turning circle	15.3m
	Track circle	14.4m
	Front track width	1,726mm
	Rear track width	1,732mm
Vehicle	Length	6,695mm
	Height (unladen)	2,311mm
	Width (inc. wing mirrors)	2,345mm
	Ground clearance	188mm



Dimensions.

CHASSIS CREWCAB REAR-WHEEL DRIVE L3

Wheelbase	Wheelbase length	4,325mm
	Turning circle	15.3m
	Track circle	14.4m
	Front track width	1,726mm
	Rear track width	1,732mm
Vehicle	Length	6,695mm
	Height (unladen)	2,301mm
	Width (inc. wing mirrors)	2,345mm
	Ground clearance	188mm



List prices.

Euro 6d-TEMP

Model	Basic Recommended Retail Price (Ex. VAT)	Basic Recommended Retail Price (Inc. VAT)
Chassis Cab – PROGRESSIVE		
314 CDI Chassis L2 FWD E6	£32,995	£39,594
315 CDI Chassis L2 RWD E6	£35,210	£42,252
315 CDI Chassis L3 RWD E6	£35,995	£43,194
317 CDI Chassis L2 RWD E6	£36,095	£43,314
317 CDI Chassis L3 RWD E6	£36,880	£44,256
Chassis Crewcab – PROGRESSIVE		
315 CDI Crewcab L3 RWD E6	£38,815	£46,578

- All prices based on manual transmission. Automatic transmissions available as an option – [see page 13](#)
- For special orders please consult your local Dealer – [find your nearest Dealership](#)

Euro VI

Model	Basic Recommended Retail Price (Ex. VAT)	Basic Recommended Retail Price (Inc. VAT)
Chassis Cab – PROGRESSIVE		
314 CDI Chassis L2 RWD EVI	£34,170	£41,004
314 CDI Chassis L3 RWD EVI	£34,955	£41,946
316 CDI Chassis L2 RWD EVI	£35,055	£42,066
316 CDI Chassis L3 RWD EVI	£35,840	£43,008
514 CDI Chassis L2 RWD EVI	£41,510	£49,812
514 CDI Chassis L3 RWD EVI	£42,295	£50,754
516 CDI Chassis L2 RWD EVI	£42,200	£50,640
516 CDI Chassis L3 RWD EVI	£42,980	£51,576
519 CDI Chassis L2 RWD EVI	£45,730	£54,876
519 CDI Chassis L3 RWD EVI	£46,515	£55,818
Chassis Crewcab – PROGRESSIVE		
314 CDI Crewcab L3 RWD EVI	£37,775	£45,330
514 CDI Crewcab L3 RWD EVI	£44,920	£53,904

This document is for guidance only and must be used in conjunction with a configuration tool prior to final specification decisions and vehicle quotations being prepared and accepted. List prices are quoted ex-factory unless otherwise stated. Delivery charges excluding VAT will be added to model prices quoted in this document. Prices based on standard finish paint choice. Mercedes-Benz Vans UK and authorised Dealers reserve the right to alter specification and vary prices without notice. The availability of options may depend on the chosen base vehicle and other optional equipment specified, and should be confirmed with your Mercedes-Benz Vans Dealer prior to order placement. VAT is calculated at the standard rate of 20%. Mercedes-Benz Vans UK Ltd, Tongwell, Milton Keynes MK15 8BA.

Introducing Mercedes-Benz Approved Used Vans.

Know exactly what you're getting into.

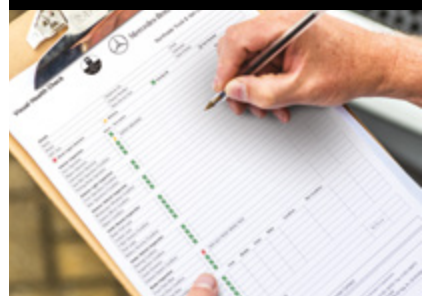
If you're looking for a used Sprinter van that offers the same commitment to quality and workmanship as new, look no further than a Mercedes-Benz Approved Used Sprinter van. Each van has been rigorously inspected by Mercedes-Benz technicians and comes with the following assurances as standard:

- > Will be no older than 6 years
- > Less than 150,000 miles on the clock
- > Full service history
- > Minimum of 24-months' warranty
- > Minimum of 3mm tyre tread depth on all tyres
- > 12-month MOT
- > Mercedes-Benz Approved Used Vans Mechanical Breakdown Insurance
- > Free 24/7 MobiloVan roadside assistance*
- > Corrosion warranty renewal
- > 10 day exchange period
- > Complimentary 7-day insurance coverage.

Find your Approved Used Sprinter:

- > www.usedvans.Mercedes-Benz.co.uk/used-van-search/

* Terms and conditions apply



The Mercedes-Benz Sprinter

Mercedes PRO connect	Sprinter Chassis Cab	Sprinter Chassis Crewcab	MBUX	Equipment	Engine and gearbox	Fuel consumption	Weights and payloads	Dimensions	List prices	Approved Used Sprinter	Aftercare
----------------------	----------------------	--------------------------	------	-----------	--------------------	------------------	----------------------	------------	-------------	------------------------	-----------

Finance options.

Get an agreement that suits you with Mercedes-Benz Finance.

At Mercedes-Benz Finance we have a number of finance options you can choose from to suit your business needs, because we understand the complexities of running a modern-day business...

Agility

A flexible method of financing a vehicle over a fixed term. The agreement defers your decision of whether you purchase, hand back or part-exchange your vehicle until the end of your agreement.

- Fixed regular payments mean you can easily budget
- Payments are based only on a proportion of the van's value, keeping your monthly payments lower
- Our Optional Purchase Payment avoids the risk of unplanned depreciation of your vehicle.

Hire Purchase

A straightforward route to ownership. This is the perfect way to buy a Mercedes-Benz if you want to work your way up to full ownership, spreading the overall cost over a fixed term.

- On completion of the agreement you will own the vehicle
- A flexible deposit and repayment term means you can tailor the financial agreement to suit you
- Monthly payments are not based on annual mileage.

Operating Lease

A solution for those who want to drive one of our vehicles over a fixed term, with lower monthly rentals and without the worries or commitment of ownership.

- Pay an advance rental upfront
- Rentals are based on your annual mileage agreed at the start of your agreement and only on a proportion of the vehicle's value, keeping your monthly payments lower
- Rentals are allowable against taxable profits (proportionally).

Contract Hire

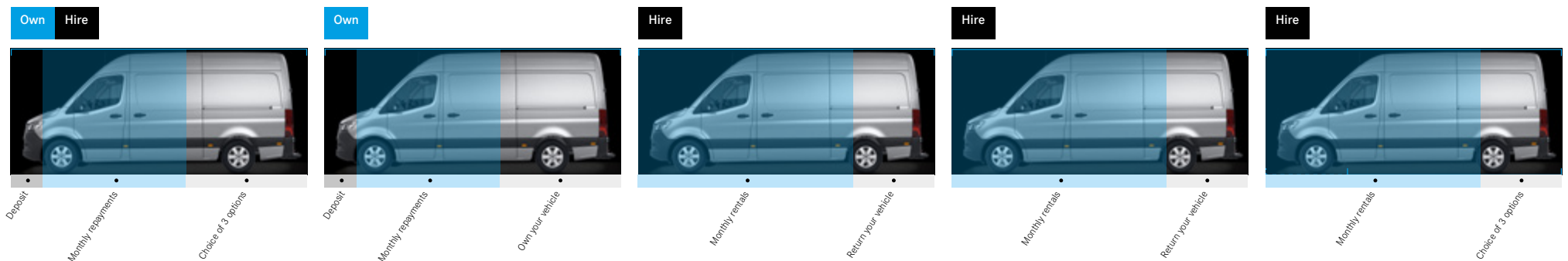
Gives you the ability to enjoy driving a Mercedes-Benz without having to take on full ownership. With Contract Hire, you lease your vehicle for a fixed period and for a fixed monthly rental.

- No need for a large initial deposit
- Repair and Maintenance options are also available
- VAT is reclaimable depending on usage (proportionally).

Finance Lease

Allows your vehicle to appear as an asset on your balance sheet, without the option of ownership as you hire a vehicle for a fixed period.

- Fixed regular payments enable you to easily budget
- The vehicle is an asset on the balance sheet, therefore tax allowances may be deducted from taxable profits
- Payments are not based on annual mileage.



➤ [For more information about our finance options](#)

After care.

Keeping Businesses Moving.

Once you've driven away in your new Sprinter, the support we provide doesn't stop there. Did you know we offer a number of ways to keep your business moving long into the future? It's perhaps one of our best kept secrets...

› ServiceCare

Because you don't stop, we don't either. We offer a range of servicing options to suit every business and to keep your vehicles on the road and running at their peak performance.

• ServiceCare Maintenance

Spread the cost of up to 6 services and save, without entering into a credit agreement. Pay one upfront sum or by monthly Direct Debit.

• ServiceCare Flex

Fix and reduce servicing costs for your van fleet by buying them in bulk. Specifically designed for fleets operating 25+ vehicles.

• ServiceCare Complete

Tailor a package that covers all your service and maintenance requirements and maintenance costs.

[Find out more about service and repairs](#)

› MobiloVan

All Mercedes-Benz Vans come with MobiloVan, our free roadside assistance 24/7, across Europe*. If you breakdown, have a collision or can't start your van, call MobiloVan and a technician with an average response time of under 60 minutes will arrive in a van stocked with Mercedes-Benz GenuineParts. With an average roadside repair rate of 80%, you'll be moving again in no time.

[Find out more about MobiloVan](#)

› 3 year warranty

Because we want to help keep businesses moving today and in the future, all our new vans come with a free 3 year unlimited mileage warranty.

[Find out more about warranties](#)

› 24/7 Dealer network

Our nationwide network of approved Dealers is here to help your business maintain momentum. Most Dealers work until midnight and over a third are open 24/7.

[Find out more about our Dealer network](#)

*For a full list of exclusions and all product terms please visit mbvans.co.uk/mobilovan.

