

Mercedes-Benz

THE ALL-NEW GLB

Model Year 807

From April 2026 production





GLB electric



GLB petrol hybrid

Mercedes-Benz

THE ALL-NEW ELECTRIC GLB

Model Year 807

From April 2026 production



Some of the model features, optional extras and colours shown may not be available, or may be available in a different specification, or at a different price. Option shown: High-Tech Silver Metallic



Model Overview



Colours



Upholsteries & Trim



Wheels



Optional Equipment



Pricing



Standard Equipment



Technical Data



Further Information



Digital Extras



Services & Insurance



Roadside Assistance



Home Charging - Ohme



Home Charging - Pod



MB.CHARGE Public



Online Showroom



Configurator



Genuine Accessories

7-Seat Model Lines



Sport



Sport Executive



AMG Line Executive



AMG Line Premium



AMG Line Premium Plus



Sport



Some of the model features, optional extras and colours shown may not be available, or may be available in a different specification, or at a different price. Option shown: ARTICO man-made leather / Sortland fabric black.



Exterior Highlights

- Panoramic roof [1]
- Mechanical front boot [2]
- Partially illuminated Mercedes star and panel with Mercedes-Benz pattern [3]
- 18-inch 5-twin-spoke light-alloy wheels
- LED High performance headlamps [4]
- Mirror package with automatically folding wingmirrors



Interior Highlights

- 3rd row of seats for 2 people [6]
- Heated front seats [5]
- Anti-slip mat for boot in black
- Rear armrest
- THERMATIC automatic climate control [7]
- Anthracite anodised-look trim elements
- 4-way lumbar support
- ARTICO man-made leather / Sortland fabric black



Technology Highlights

- Selfie and video camera 219 with facial recognition [8]
- Digital Extra: MBUX Smartphone integration
- Digital Extra: MBUX Navigation supported by Google maps [9]
- MBUX Multimedia system with 14" central media display
- GUARD 360° vehicle protection
- Blind spot assist
- Digital Extra: Parking assist



Sport Executive

Some of the model features, optional extras and colours shown may not be available, or may be available in a different specification, or at a different price. Option shown: Polar White Solid.



Some of the model features, optional extras and colours shown may not be available, or may be available in a different specification, or at a different price. Option shown: ARTICO man-made leather in black.



[1]



[2]



[3]

Exterior Highlights

- Heat-insulating dark-tinted glass [1]
- Flush-fitting door handles [2]
- 19-inch multi-spoke light-alloy wheels [3]

Interior Highlights

- Ambient lighting [4]
- Wireless charging for mobile phones [5]
- ARTICO man-made leather black [6]
- Light brushed aluminium trim elements [7]

Technology Highlights

- HANDS-FREE ACCESS [8]
- KEYLESS-GO Convenience package [9]
- Digital Extra: Pre-installation for Digital Vehicle Key for Smartphone (available from second half of 2026)



[4]



[5]



[6]



[7]



[8]



[9]



AMG Line Executive

Some of the model features, optional extras and colours shown may not be available, or may be available in a different specification, or at a different price. Option shown: MANUFATUR Patagonia Red metallic.





Exterior Highlights

- Surround lighting with animated projection of the Mercedes-Benz pattern, 2x [1]
- 19-inch AMG 5-spoke light-alloy wheels [2]
- AMG Bodystyling [3]

Interior Highlights

- AMG Line Sports seats package [4]
- Light carbon-grain aluminium trim elements [5]
- AMG Floor mats [6]
- Multifunction sports steering wheel in nappa leather [7]
- Upholstery in ARTICO nappa-look man-made leather / MICROCUT microfibre black [8]



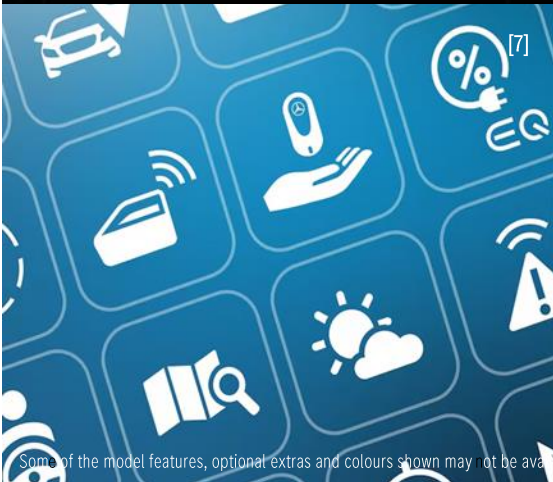


AMG Line Premium

Some of the model features, optional extras and colours shown may not be available, or may be available in a different specification, or at a different price. Option shown: High-Tech Silver metallic



Some of the model features, optional extras and colours shown may not be available, or may be available in a different specification, or at a different price. Option shown: ARTICO man-made leather upholstery / MICROCUT microfibre black



Exterior Highlights

- 20-inch AMG multi-spoke light-alloy wheels [1]

Interior Highlights

- Door sills, illuminated, with exchangeable cover [2]
- Memory package [3]
- THERMOTRONIC automatic climate control [4]
- Ambient lighting with projection of brand logo [5]

Technology Highlights

- Digital Extra: MBUX Augmented reality navigation [6]
- Digital Extra: MBUX Entertainment 3 years [7]
- MBUX Superscreen [8]



AMG Line Premium
Plus

Some of the model features, optional extras and colours shown may not be available, or may be available in a different specification, or at a different price. Option shown: MANUFAKTUR Alpine Grey solid.



Some of the model features, optional extras and colours shown may not be available, or may be available in a different specification, or at a different price. Option shown: ARTICO man-made leather upholstery / MICROCUT microfibre black.



Exterior Highlights

- Rear light strip [1]
- Heated wiper blades
- Heat and noise-insulating acoustic glass [2]
- AMG Spoiler lip [3]
- Night Package [4]
- MULTIBEAM LED and adaptive high beam assist plus
- 20-inch AMG 5-twin-spoke light-alloy wheels [5]

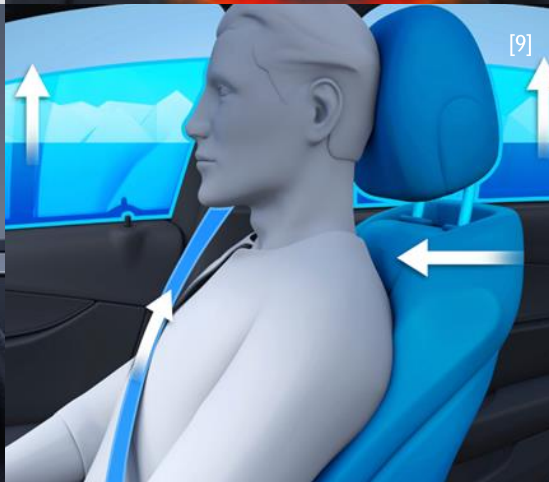


Interior Highlights

- Matt white natural fibre silent lines trim elements
- Heated steering wheel [6]
- Burmester® 3D surround sound system [7]

Technology Highlights

- Digital Extra: MB.DRIVE PARKING ASSIST 360
- Transparent bonnet (GLB 350 4MATIC only)
- Head-up Display [8]
- PRE-SAFE® system [9]
- Digital Extra: 360 Camera
- Sound personalisation



Personalisation



Night Black solid
[696U] - Standard



Polar White solid
[149U] - £0



Aqua-Mint solid
[341U] - £0



Sapphire Blue metallic
[809U] - £715



High-Tech Silver metallic
[922U] - £715



Cosmos Black metallic
[831U] - £715

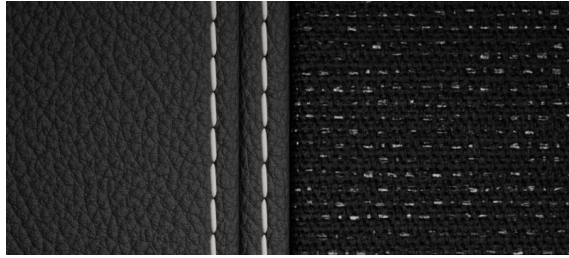


Manufaktur
Patagonia Red metallic
[993U] - £825



Manufaktur
Alpine Grey solid
[956U] - £825

Personalisation



Comfort seats in ARTICO man-made leather / Sortland fabric black [301A]

Sport	✓
Sport Executive	-
AMG Line Executive	-
AMG Line Premium	-
AMG Line Premium Plus	-



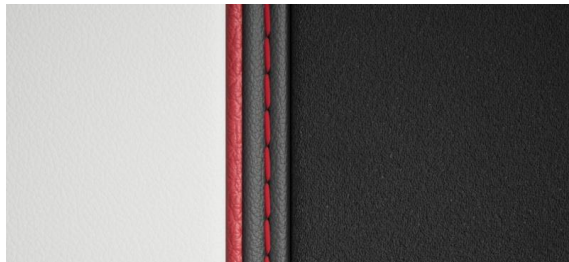
Comfort seats in ARTICO man-made leather black [101A]

Sport	-
Sport Executive	✓
AMG Line Executive	-
AMG Line Premium	-
AMG Line Premium Plus	-



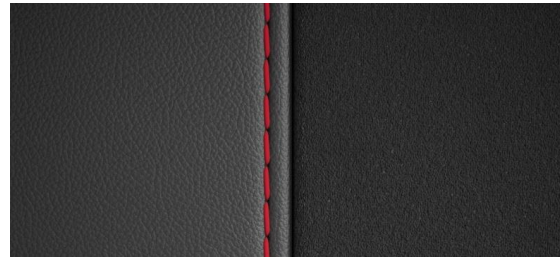
Comfort seats in ARTICO man-made leather ivory beige / black [105A]

Sport	-
Sport Executive	○
AMG Line Executive	-
AMG Line Premium	-
AMG Line Premium Plus	-



Sports seats in ARTICO man-made leather upholstery / MICROCUT microfibre two-tone black / clean white pearl [681A]

Sport	-
Sport Executive	-
AMG Line Executive	✓
AMG Line Premium	✓
AMG Line Premium Plus	✓



Sports Seats in ARTICO man-made leather upholstery / MICROCUT microfibre black [651A]

Sport	-
Sport Executive	-
AMG Line Executive	○
AMG Line Premium	○
AMG Line Premium Plus	○



Sports Seats in Two-tone ARTICO nappa-look man-made leather Black / power red [151A]

Sport	-
Sport Executive	-
AMG Line Executive	○
AMG Line Premium	○
AMG Line Premium Plus	○

Personalisation



Sports seats in Leather black
[211A]

Sport	-
Sport Executive	-
AMG Line Executive	-
AMG Line Premium	£1,300
AMG Line Premium Plus	£1,300



Personalisation



Anthracite anodised-look trim [59H]

Sport	✓
Sport Executive	–
AMG Line Executive	–
AMG Line Premium	–
AMG Line Premium Plus	–



Light brushed aluminium trim [42H]

Sport	–
Sport Executive	✓
AMG Line Executive	–
AMG Line Premium	✓
AMG Line Premium Plus	–



Light carbon-grain aluminium trim [H43]

Sport	–
Sport Executive	–
AMG Line Executive	✓
AMG Line Premium	–
AMG Line Premium Plus	–



Matt white natural silent trim [19H]

Sport	–
Sport Executive	–
AMG Line Executive	–
AMG Line Premium	–
AMG Line Premium Plus	✓

Personalisation



18" aerodynamics light-alloy wheels in 5-twin-spoke design, painted high-gloss black with high-sheen finish [83R]

Sport	✓
Sport Executive	-
AMG Line Executive	-
AMG Line Premium	-
AMG Line Premium Plus	-



19" aerodynamics light-alloy wheels in multi-spoke design, painted in high-gloss black with high-sheen finish [28R]

Sport	-
Sport Executive	✓
AMG Line Executive	-
AMG Line Premium	-
AMG Line Premium Plus	-



19" AMG light-alloy wheels in 5-spoke design, aerodynamically optimised, painted in high-gloss black with high-sheen finish [RRE]

Sport	-
Sport Executive	-
AMG Line Executive	✓
AMG Line Premium	-
AMG Line Premium Plus	-



20" AMG light-alloy wheels in multi-spoke design, aerodynamically optimised, painted high-gloss black with high-sheen finish [RVM]

Sport	-
Sport Executive	-
AMG Line Executive	-
AMG Line Premium	✓
AMG Line Premium Plus	-



20" AMG light-alloy wheels in 5-twin-spoke design, high-sheen finish with dark-tinted clear coat [RRS]

Sport	-
Sport Executive	-
AMG Line Executive	-
AMG Line Premium	-
AMG Line Premium Plus	✓



Trailer coupling with ESP® trailer stabilisation [550]

£950

Expand your transport options: With the trailer hitch, you can hitch up trailers as well as mount bicycle racks. The trailer hitch is ready for use in no time at all - and can be folded in behind the rear bumper just as quickly when it is no longer needed.

- Tow Bar -

ESP® trailer stabilisation: when towing a trailer, ESP® trailer stabilisation can automatically intervene in critical situations. Your vehicle recognises the trailer automatically as soon as the electric plug is connected. The ESP® stabilisation functions are automatically active from a speed of 65 km/h. If undesirable swaying movements are detected, the trailer stabilisation actively dampens them with the help of wheel-specific, reciprocal brake applications. In most cases this is already sufficient to reduce dangerous vibrations. If necessary, the system also reduces the speed: for this, the engine torque is reduced, and the vehicle is braked at all four wheels.

Trailer mode: in a menu on the central display, select your trailer type and enter the maximum permissible speed. This allows your vehicle to adapt the functions of the speed limit assistant for trailer operation, for example.

Sport	•
Sport Executive	•
AMG Line Executive	•
AMG Line Premium	•
AMG Line Premium Plus	•

✓ indicates standard equipment, ○ indicates optional at no extra cost, - indicates not available, • indicates a cost option. Price indicates optional at the cost shown. Price shown inclusive of VAT.



DC Charging [83B]

£850

In addition to the 800V Charging capability that comes as standard on GLB, with this optional direct current charging system, you can charge your vehicle with up to 100 kW at compatible 400V fast-charging stations too.

With the direct current charging system, you can charge your vehicle with up to 100 kW at compatible fast-charging stations.

These supply the direct current required for your high-voltage battery - and the system provides the best possible electric range in a short time.

Lossless charging: when converting alternating current (AC) into direct current (DC), losses are incurred which are noticeable in the form of heat. A direct connection to direct current avoids these losses - the battery can be charged with higher power. When charging with direct current you use the European charging standard called the Combined Charging System (CCS).

High-voltage safety concept: the charging process switches off automatically if the vehicle is stationary and a collision is detected when using fast charging. For this purpose, a special sensor system is fitted to the DC box.

Please note, the navigation will still recommend the fastest, most convenient 800V charging stations on your journey and updates the availability in real-time.

Sport	•
Sport Executive	•
AMG Line Executive	•
AMG Line Premium	•
AMG Line Premium Plus	•

✓ indicates standard equipment, ○ indicates optional at no extra cost, - indicates not available, • indicates a cost option. Price indicates optional at the cost shown. Price shown inclusive of VAT.

Pricing

	Powertrain	CO ₂ ¹	Basic RRP excl. VAT	Total RRP incl. VAT	Road Fund Licence ²	Rec. OTR Price ³	P11D Value	BIK Tax Rate 2026/27
Sport	GLB 250+ electric	0	£37,691.67	£45,230.00	£10.00	£46,100.00	£46,035.00	4%
	GLB 250+ electric	0	£39,316.67	£47,180.00	£10.00	£48,050.00	£47,985.00	4%
Sport Executive	GLB 250+ electric	0	£41,816.67	£50,180.00	£10.00	£51,050.00	£50,985.00	4%
	GLB 350 4MATIC electric	0	£45,191.67	£54,230.00	£10.00	£55,100.00	£55,035.00	4%
AMG Line Executive	GLB 250+ electric	0	£44,025.00	£52,830.00	£10.00	£53,700.00	£53,635.00	4%
	GLB 350 4MATIC electric	0	£47,441.67	£56,930.00	£10.00	£57,800.00	£57,735.00	4%
AMG Line Premium	GLB 250+ electric	0	£46,608.33	£55,930.00	£10.00	£56,800.00	£56,735.00	4%
	GLB 350 4MATIC electric	0	£50,025.00	£60,030.00	£10.00	£60,900.00	£60,835.00	4%
AMG Line Premium Plus	GLB 250+ electric	0	£46,608.33	£55,930.00	£10.00	£56,800.00	£56,735.00	4%
	GLB 350 4MATIC electric	0	£50,025.00	£60,030.00	£10.00	£60,900.00	£60,835.00	4%

¹The indicated values were determined according to the prescribed measurement method - Worldwide Harmonised Light Vehicle Test Procedure (WLTP). Figures shown may include options which are not available in the UK. Battery Electric Vehicles (BEV) require mains electricity for charging; range figures determined with the battery fully charged. These models require mains electricity for charging. ²Figures shown are for comparability purposes; only compare with other cars tested to the same technical procedures. Figures may not reflect real life driving results, which will depend upon a number of factors including factory-fitted options, accessories fitted (post registration), variations in weather, driving styles and vehicle load. Further information about the test used to establish fuel consumption and CO₂ figures can be found at <http://www.mercedes-benz.co.uk/WLTP>. ³A different first year rate of Vehicle Excise Duty (Road Fund Licence) applies for new cars. ³The recommended on-the-road price includes the Road Fund Licence applicable to the standard model plus delivery charge (£780.00 incl. VAT), new vehicle registration fee (£55.00) and number plates (£25.00 incl. VAT). VAT is calculated at the standard rate of 20%. Some of the model features, optional extras and colours shown may not be available, or may only be available in a different specification, or at a different price.

Standard Equipment

	Sport	Sport Executive	AMG Line Executive	AMG Line Premium	AMG Line Premium Plus
Engine, Transmission & Suspension					
85kW (usable) NMC battery	✓	✓	✓	✓	✓
CCS-2 connector (DC charging with Combined Charging System, compatible with AC and DC)	✓	✓	✓	✓	✓
On-board AC charger up to 11 kW	✓	✓	✓	✓	✓
Direct current charging system (DC charging with 800 V), at suitable DC charging points and under optimal conditions, it achieves a maximum charging power of up to 320kW.	✓	✓	✓	✓	✓
Multi source heat pump for efficient heat management	✓	✓	✓	✓	✓
2-speed transmission and the power electronics form the electric drivetrain (eATS) on the rear axle	✓	✓	✓	✓	✓
Charging cable up to 22 kW for wallbox and public charging station, 7 m, straight	✓	✓	✓	✓	✓
Driving modes – DYNAMIC SELECT drive programmes: "Comfort", "Eco", "Sport" and "Individual"	✓	✓	✓	✓	✓
Comfort suspension	✓	✓	✓	-	-
Adjustable damping	-	-	-	✓	✓
Rear Axle: Multi-link	✓	✓	✓	✓	✓
Exterior					
Sport bodystyling	✓	✓	-	-	-
AMG bodystyling	-	-	✓	✓	✓
AMG Line Plus Bodystyling (with Night Package) - additional gloss-black design elements	-	-	-	-	✓
Panoramic sunroof - extends over the entire roof surface up, fixed glass roof with coatings for increased protection against heat and sunlight	✓	✓	✓	✓	✓
Surround lighting with animated projection of the Mercedes-Benz pattern, 2x	-	-	✓	✓	✓
Body-coloured door handles	✓	-	-	-	-
Flush-fitting door handles - Automatically retractable and extendable door handles	-	✓	✓	✓	✓
Boot capacity seats up/down: 327/540 litre	✓	✓	✓	✓	✓
Storage: Mechanical front boot (frunk) 127 litre	✓	✓	✓	✓	✓
Glass – rearscreen, heated with timer control	✓	✓	✓	✓	✓
Lights – LED High Performance headlamps with integrated LED daytime running lights and Adaptive Highbeam Assist	✓	✓	✓	✓	-
Lights – MULTIBEAM LED headlamps and Adaptive Highbeam Assist Plus	-	-	-	-	✓
Lights – LED tail lamps	✓	✓	✓	✓	✓
Rear light strip - Animated light strip between the rear lights	-	-	-	-	✓
Heat-insulating dark-tinted glass - Dark glass for the rear side windows and the rear window	-	✓	✓	✓	-
Heat and noise-insulating acoustic glass	-	-	-	-	✓
Mirror package - Electrically folding mirrors and automatically dimming rear view mirror	✓	✓	✓	✓	✓
MB. Drive Parking Assist	✓	✓	✓	✓	✓



✓ indicates standard equipment, ○ indicates optional at no extra cost, - indicates not available. Price indicates optional at the cost shown.

Standard Equipment

	Sport	Sport Executive	AMG Line Executive	AMG Line Premium	AMG Line Premium Plus
Roof railing	✓	✓	✓	✓	✓
Wheels					
18" 5-twin-spoke light-alloy wheels, aerodynamically optimised and painted high-gloss black and turned to a high gloss finish (83R)	✓	-	-	-	-
19" multi-spoke light-alloy wheels, aerodynamically optimised and painted in high-gloss black and with a high-sheen finish (28R)	-	✓	-	-	-
19" AMG 5-spoke light-alloy wheels, aerodynamically optimised and painted black and with high-sheen finish (RRE)	-	-	✓	-	-
20" AMG multi-spoke light-alloy wheels, aerodynamically optimised and painted high-gloss black and with a high-sheen finish (RVM)	-	-	-	✓	-
20" AMG 5-twin-spoke light-alloy wheels, painted in high-gloss black and dark platinum gloss, with a high-sheen finished and tinted clearcoat (RRS)	-	-	-	-	✓
Interior					
Air conditioning – air vents with surround in silver chrome	✓	✓	✓	✓	✓
THERMATIC one-zone automatic climate control	✓	✓	✓	-	-
THERMOTRONIC two-zone automatic climate control	-	-	-	✓	✓
Centre console with 2 levels: Useful storage compartments and convenient functions such as cup holders are elegantly embedded in it	✓	✓	✓	✓	✓
Centre armrest – rear, with stowage	-	✓	✓	✓	✓
Cup holder – twin, front	✓	✓	✓	✓	✓
Velour floor mats	✓	✓	-	-	-
Floor mats - Black with AMG lettering	-	-	✓	✓	✓
Anti-slip mat for boot in black - The black anti-slip mat protects the load compartment from soiling	✓	✓	✓	✓	✓
Interior lighting - reading light in 1st row, vanity mirrors, glove compartment, cup holders & front storage compartment	✓	✓	✓	✓	✓
Ambient lighting - at the front and in the rear, including a lighting line from the windscreen to the rear doors, 64 colours and 10 colour worlds	-	✓	✓	✓	✓
Luggage net on driver's and front passenger backrest	✓	✓	✓	✓	✓
KEYLESS-GO Starting Function	✓	✓	✓	✓	✓
KEYLESS-GO Convenience Package - start and lock/unlock the car without touching the key. The tailgate can also be opened and closed with a kicking motion beneath the rear bumper.	-	✓	✓	✓	✓
Illuminated door sill panels with interchangeable covers	-	-	-	✓	✓
Seats - Heated front seats	✓	✓	✓	✓	✓
Seats – Rear seat backrests, split folding (40:20:40)	✓	✓	✓	✓	✓
Seats - Comfortable, fully adjustable front seats with luggage net at the rear	✓	✓	✓	-	-
Seats – Sporty contoured seats with adjustable head restraints in integral look	-	-	-	✓	✓
Seats - Electrically adjustable front memory seats with lumbar support	-	-	-	✓	✓
Seats – 4 way electric lumbar support	✓	✓	✓	✓	✓



✓ indicates standard equipment, ○ indicates optional at no extra cost, - indicates not available. Price indicates optional at the cost shown.

Standard Equipment

	Sport	Sport Executive	AMG Line Executive	AMG Line Premium	AMG Line Premium Plus
Windows – electric windows (4)	✓	✓	✓	✓	✓
Fluorescent jacket	✓	✓	✓	✓	✓
Winter Package - Steering wheel heater and heated windscreen wiper blades	-	-	-	-	✓
Steering					
Steering - Direct-rack steer system	✓	✓	✓	✓	✓
Steering column – manually adjustable for height and reach	✓	✓	✓	✓	✓
Leather multifunction sports steering wheel - in leather in 3-spoke design with control buttons on the left and right	✓	✓	-	-	-
Multifunction sports steering wheel in nappa leather is flattened at the bottom and deeply embossed in the grip area - perfect for sporty driving	-	-	✓	✓	✓
Paint, Trim and Upholstery					
Paint – non-metallic	✓	✓	✓	✓	✓
Roof lining – black	✓	✓	✓	✓	✓
Trim - Anthracite anodised-look trim element	✓	-	-	-	-
Trim - Light brushed aluminium trim elements	-	✓	-	✓	-
Trim - Light carbon-grain aluminium trim elements	-	-	✓	-	-
Trim - Matt white natural fibre silent lines trim elements	-	-	-	-	✓
Upholstery - ARTICO man-made leather / Sortland fabric black	✓	-	-	-	-
Upholstery - ARTICO man-made leather black	-	✓	-	-	-
Upholstery - ARTICO man-made leather upholstery / MICROCUT microfibre two-tone in black / clean white pearl - other options available	-	-	✓	✓	✓
Black seat belts	✓	✓	✓	✓	✓
Digital Extras					
Digital Extra: MBUX Smartphone Integration supports Android Auto™ and Apple CarPlay™ ¹	✓	✓	✓	✓	✓
Adaptive Highbeam Assist	✓	✓	✓	✓	-
Adaptive Highbeam Assist Plus	-	-	-	-	✓
Active Distance Assist DISTRONIC – the system uses sensors to detect vehicles travelling in the direction of travel and regulates the pre-selected target distance	✓	✓	✓	✓	✓
MB.DRIVE PARKING ASSIST with reversing camera, and front and rear parking sensors	✓	✓	✓	✓	-
MB.DRIVE PARKING ASSIST 360	-	-	-	-	✓
MBUX Entertainment – 3 years access to Digital Extras for entertainment as well as the in-car app store, including music and video streaming services ¹	-	-	-	✓	✓
MBUX Navigation – fast navigation with up-to-date map data and precise real-time information (free for the first seven years)	✓	✓	✓	✓	✓
Mercedes-Benz app - Extended MBUX functions ¹	✓	✓	✓	✓	✓

¹To use this service, you must register on the Digital Extras portal and also accept the Terms of Use for the Digital Extras services. In addition, the respective vehicle must be paired with the user account. Upon expiry of the initial term, the services can be extended for a fee. Initial activation of the services is possible within 1 year of first registration or commissioning by the customer, whichever comes first.

✓ indicates standard equipment, ○ indicates optional at no extra cost, - indicates not available, ● indicates a cost option.

Standard Equipment

	Sport	Sport Executive	AMG Line Executive	AMG Line Premium	AMG Line Premium Plus
Safety and Assistance Systems					
Acoustic presence indicator	✓	✓	✓	✓	✓
Emergency Brake Assist ¹	✓	✓	✓	✓	✓
Airbags – dual-stage, driver and front passenger	✓	✓	✓	✓	✓
Airbags – head and sidebags, driver and front passenger	✓	✓	✓	✓	✓
Airbags - Centre airbag - deploys between the driver and front passenger in the event of a severe side impact	✓	✓	✓	✓	✓
Airbags – kneebag for driver	✓	✓	✓	✓	✓
Airbags - Automatic passenger airbag deactivation	✓	✓	✓	✓	✓
Alarm system with immobiliser and interior protection – Thatcham category 1 (T1)	✓	✓	✓	✓	✓
ATTENTION ASSIST – monitors steering behaviour and can help alert to long journey fatigue ¹	✓	✓	✓	✓	✓
Blind Spot Assist Plus ¹	✓	✓	✓	✓	✓
Braking – adaptive Brake Assist with HOLD function and Hill Start Assist	✓	✓	✓	✓	✓
Braking – adaptive brake lights	✓	✓	✓	✓	✓
Braking – anti-lock braking system (ABS) with Brake Assist (BAS)	✓	✓	✓	✓	✓
Braking – brake-pad wear warning indicator	✓	✓	✓	✓	✓
Crash responsive emergency lighting	✓	✓	✓	✓	✓
Car wash mode - The exterior mirrors fold in, side windows and sliding roof close, windscreen wipers remain switched off and the climate control switches to air-recirculation mode.	✓	✓	✓	✓	✓
Digital Extra: Distance Assist DISTRONIC - speed limit function, automatic restart function, route-based speed adjustment ¹	✓	✓	✓	✓	✓
Electric parking brake	✓	✓	✓	✓	✓
Electronic Stability Programme (ESP) with Acceleration Skid Control (ASR)	✓	✓	✓	✓	✓
ESP Curve Dynamic Assist	✓	✓	✓	✓	✓
Exit Warning Function	✓	✓	✓	✓	✓
Evasive Steering Evasive steering function -If you start an evasive manoeuvre, the evasive steering function helps you to swerve and straighten the vehicle in order to avoid a collision ¹	✓	✓	✓	✓	✓
Eye tracking technology to prevent driver distraction	✓	✓	✓	✓	✓
First-aid kit and warning triangle	✓	✓	✓	✓	✓
Headlamp Assist – automatic headlamp activation	✓	✓	✓	✓	✓
KEYLESS-GO start function	✓	✓	✓	✓	✓
Lane Keeping Assist ¹	✓	✓	✓	✓	✓
Lamp failure indicator	✓	✓	✓	✓	✓

¹Our driver assistance and safety systems are aids and do not relieve you of your responsibility as the driver. Please take note of the information in the Owner's Manual and the system limits which are described therein.

✓ indicates standard equipment, ○ indicates optional at no extra cost, - indicates not available. Price indicates optional at the cost shown.

Standard Equipment

	Sport	Sport Executive	AMG Line Executive	AMG Line Premium	AMG Line Premium Plus
Locking – childproof locks, manually operated for rear doors and electrically operated for rear power windows	✓	✓	✓	✓	✓
Locking – remote central locking and crash sensor with emergency opening function	✓	✓	✓	✓	✓
Radar-based recuperation	✓	✓	✓	✓	✓
Rain-sensing windscreen wipers with two sensitivity settings	✓	✓	✓	✓	✓
Rear fog lamp	✓	✓	✓	✓	✓
Seats – automatic child seat recognition sensor (pressure sensor)	✓	✓	✓	✓	✓
Seats – ISOFIX and top-tether child seat fixing points in rear (two outer seats)	✓	✓	✓	✓	✓
Seats – seat occupancy sensor, front passenger seat	✓	✓	✓	✓	✓
Seats – Rear belt status indicator in the instrument display	✓	✓	✓	✓	✓
Seat belts – reminder, front and rear	✓	✓	✓	✓	✓
Seat belts – three-point, rear (3)	✓	✓	✓	✓	✓
Seat belt - in black	✓	✓	✓	✓	✓
Speed limit assist ¹	✓	✓	✓	✓	✓
Summer tyres	✓	✓	✓	✓	✓
Tyres – TIREFIT tyre-sealant kit	✓	✓	✓	✓	✓
Tyres – tyre pressure monitoring system	✓	✓	✓	✓	✓
GUARD 360 ° Vehicle protection - anti-theft alarm system	✓	✓	✓	✓	✓
PRE-SAFE® system - Preventive occupant protection, including PRE-SAFE® Sound, reversible belt tensioning and closing function for the side windows	-	-	-	-	✓

¹Our driver assistance and safety systems are aids and do not relieve you of your responsibility as the driver. Please take note of the information in the Owner's Manual and the system limits which are described therein.

✓ indicates standard equipment, ○ indicates optional at no extra cost, - indicates not available. Price indicates optional at the cost shown.

Standard Equipment

	Sport	Sport Executive	AMG Line Executive	AMG Line Premium	AMG Line Premium Plus
Communication and In-Car Entertainment					
Media display – 14" touchscreen display with a resolution of 2,504 x 1,260 pixels	✓	✓	✓	✓	✓
MBUX Superscreen - 14" front passenger display with touch control with a resolution of 2,504 x 1,260 pixels, which can be used to watch films, use productivity apps or play games	-	-	-	✓	✓
Driver display - 10.25" driver display with a resolution of 1,920 x 720 pixels	✓	✓	✓	✓	✓
2 USB-C ports in the storage compartment under the armrest of the centre console, 100 W, suitable for data transfer, 2 rear USB-C ports on the centre armrest, fast charging, 100 W	✓	✓	✓	✓	✓
DAB digital radio	✓	✓	✓	✓	✓
Supercomputer MB.OS: Intelligent multimedia system with facial recognition	✓	✓	✓	✓	✓
Facial recognition	✓	✓	✓	✓	✓
Selfie and video camera	✓	✓	✓	✓	✓
Digital owners manual - English	✓	✓	✓	✓	✓
Sound System - Mercedes-Benz Sound system - output of 125W from eight speakers	✓	✓	✓	✓	-
Burmester® 3D surround sound system - with 16 speakers and 850 watts of system output and automatic sound focus, to seat recognition and Dolby Atmos®	-	-	-	-	✓
Wireless charging system for mobile devices in the front ¹	-	✓	✓	✓	✓
Head-up display	-	-	-	-	✓

¹Compatible mobile phone required. Please check www.mercedes-benz.com for details or contact your local Mercedes-Benz Agent for further information.

To use this service, you must register on the Digital Extras portal and also accept the Terms of Use for the Digital Extras services. In addition, the respective vehicle must be paired with the user account. Upon expiry of the initial term, the services can be extended for a fee. Initial activation of the services is possible within 1 year of first registration or commissioning by the customer, whichever comes first.

✓ indicates standard equipment, ○ indicates optional at no extra cost, - indicates not available. Price indicates optional at the cost shown.

Optional Equipment

			Sport	Sport Executive	AMG Line Executive	AMG Line Premium	AMG Line Premium Plus.
Trailer Coupling with ESP Stabilisation	[550]	£950	•	•	•	•	•
Tow Bar			^	^	^	^	^
ESP Trailer Stabilisation			^	^	^	^	^
Direct current charging system (DC charging, additionally with 400 V)	[83B]	£850	•	•	•	•	•
With the direct current charging system, you can charge your vehicle at both 400V and 800V DC chargers.			^	^	^	^	^
Solid Paint							
Night black	[696U]	Standard	✓	✓	✓	✓	✓
Polar white	[149U]	£0	○	○	○	○	○
Aqua mint	[341U]	£0	○	○	○	○	○
Metallic Paint							
Cosmos black	[191U]	£715	•	•	•	•	•
High-tech silver	[922U]	£715	•	•	•	•	•
Sapphire blue	[809U]	£715	•	•	•	•	•
MANUFAKTUR Paint							
Alpine grey solid	[956U]	£825	•	•	•	•	•
Patagonia red metallic	[993U]	£825	•	•	•	•	•
Upholstery							
ARTICO man-made leather/ Sortland fabric black	[301A]	Standard	✓	-	-	-	-
ARTICO man-made leather black	[101A]	Standard	-	✓	-	-	-
ARTICO man-made leather upholstery / MICRO CUT microfibre two-tone black / clean white pearl	[681A]	Standard	-	-	✓	✓	-
No-cost option upholstery							
ARTICO man-made leather ivory beige / black	[105A]	£0	-	○	-	-	-
ARTICO man-made leather, two-tone black / power red	[151A]	£0	-	-	○	○	○
ARTICO man-made leather upholstery / MICRO CUT microfibre black	[651A]	£0	-	-	○	○	○
Cost option upholstery							
Leather black	[211A]	£1,300	-	-	-	•	•

Technical Data

CO2 & Consumption Values

Bodystyle	Engine	Fuel Type	Transmission	Model Variant	Energy Consumption Combined (Wh/km)	EAER Electric Range MILES
SUV	GLB 250+ electric	Electric	Automatic - 2 Speed Transmission	Sport	164	379
				Sport Executive	168	370
				AMG Line Executive	170	367
				AMG Line Premium	172	362
				AMG Line Premium Plus	173	359
	GLB 350 4MATIC electric	Electric	Automatic - 2 Speed Transmission	AMG Line Executive	169	360
				AMG Line Premium	171	356
				AMG Line Premium Plus	174	349

Model	Wheel Code	Wheels & Tyres		
		Description	Front	Rear
Sport	83R	18" aerodynamics light-alloy wheels in 5-twin-spoke design, painted high-gloss black with high-sheen finish	215/60 R18	235/55 R18
Sport Executive	28R	19" aerodynamics light-alloy wheels in multi-spoke design, painted high-gloss black with high-sheen finish	235/50 R19	255/45 R19
AMG Line Executive	RRE	19" AMG light-alloy wheels in 5-spoke design, aerodynamically optimised, painted high-gloss black with high-sheen finish	235/50 19	255/45 R19
AMG Line Premium	RVM	20" AMG light-alloy wheels in multi-spoke design, aerodynamically optimised, painted high-gloss black with high-sheen finish	235/45 R20	255/40 R20
AMG Line Premium Plus	RRS	20" AMG light-alloy wheels in 5-twin-spoke design, high-sheen finish with dark-tinted clear coat	235/45 R20	255/40 R20

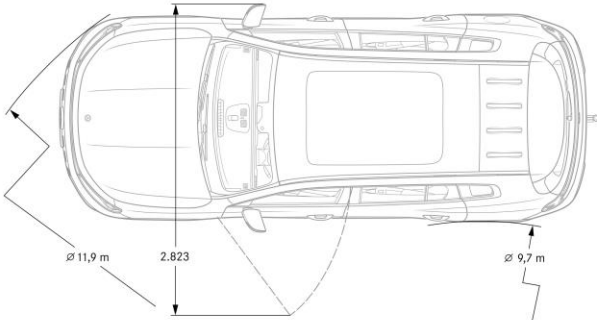
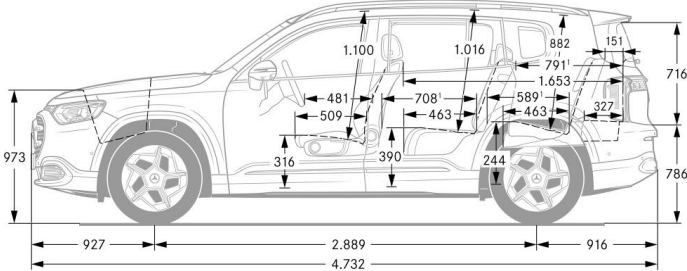
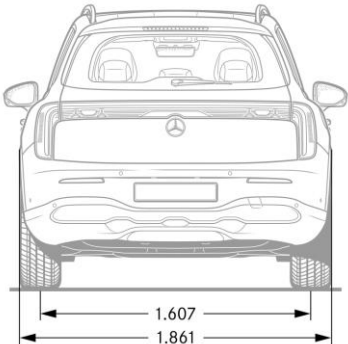
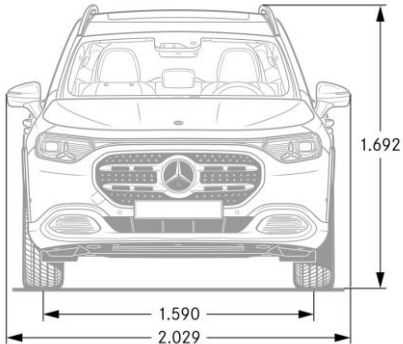
Technical Data

		GLB 250+ electric	GLB 350 4MATIC electric
EMISSIONS			
CO2 (g/km)		-	-
Standard Euro Emissions		Euro 6-WLTP	Euro 6-WLTP
POWERTRAIN			
Gearbox		Automatic - 2 Speed Transmission	Automatic - 2 Speed Transmission
Drivetype		4X2 (RWD)	4X4 (AWD)
Power ¹	hp (kW)	268 (200)	349 (260)
Torque ¹	Nm	335	515
Acceleration (0-62mph)	sec	7.4	5.5
Top Speed	mph	130	130
BATTERY			
Battery type		Lithium-ion	Lithium-ion
Battery Capacity (useable)	kWh	85	85
Battery warranty		8 years/100,000 Miles	8 years/100,000 Miles
Battery capacity % guaranteed under warranty		70%	70%
CHARGING			
On-board charger (AC)	kW	11	11
Charging time - Wallbox 11kW AC ²	0-100%	9	9
Charging time - Home Wallbox 7kW AC ³	0-100%	13.75	13.75
On-board charger (DC)	kW	320	320
Charging time - public rapid charger (320kW) ⁴	mins	22	22
RANGE			
Electric Range	miles	352 - 379	342 - 360
Electric energy consumption, combined ⁵	Wh/km	176 - 164	178 - 169
WEIGHTS & CAPACITIES			
Actual mass	kg	2,200	2,280
Permissible gross vehicle weight	kg	2,700	2,780
Boot capacity - seats up/down	litres	540/1,715	540/1,715
Frunk' capacity / Frunk capacity (ISO 3832)	litres	127/104	127/104
No. of seats		7	7
Maximum roof load	kg	75	75
Permissible trailer load (unbraked/braked [at 12%])	kg	750/1,500	750/2,000
Permissible tow ball weight	kg	100	100

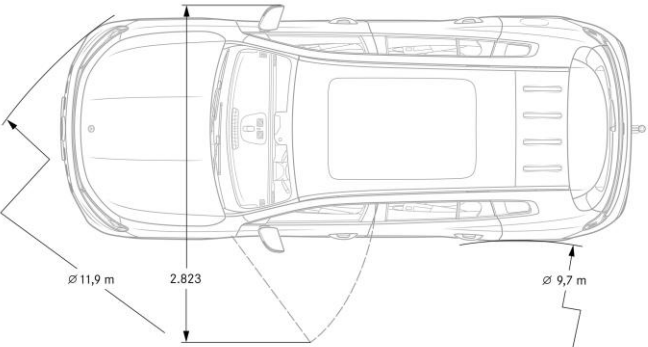
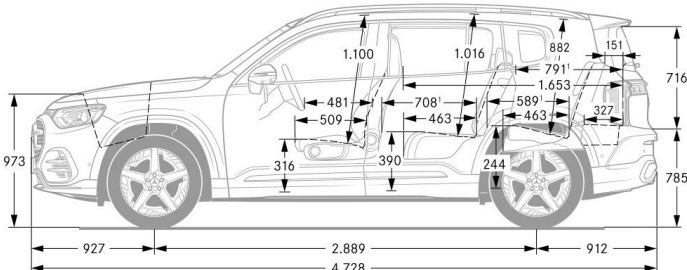
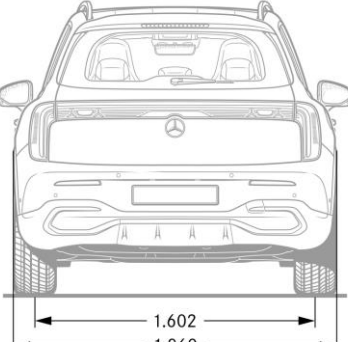
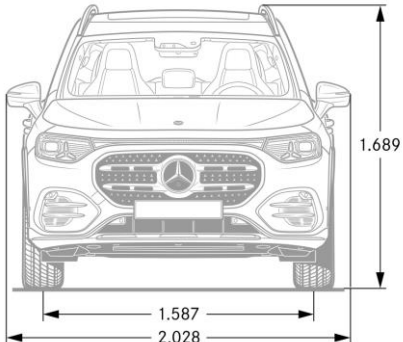
¹Figures according to Regulation (EC) No. 595/2009 in the currently applicable version. ²³Specified voltage and current values refer to network infrastructure and can be limited by the vehicle. Times are from 10-100% charge using a wallbox (three-phase) or standard socket (single-phase). ⁴Specified voltage and current values refer to network infrastructure and can be limited by the vehicle. Times are from 10-80% charge using rapid public charging at 320kW. ⁵Figures shown are for compatibility purposes; only compare with other cars tested to the same technical procedures. Figures may not reflect real life driving results, which will depend upon a number of factors including the starting charge of the battery, factory-fitted options, accessories fitted (post registration), variations in weather, driving styles and vehicle load. Further information about the test used to establish range, power consumption and CO2 figures can be found at www.mercedes-benz.co.uk/WLTP. Specified voltage and current values refer to network infrastructure and can be limited by the vehicle.

Technical Data

Sport / Sport Executive



AMG Line Executive / AMG Line Premium / AMG Line Premium Plus



All measurements in millimetres. The dimensions shown are mean values and apply to standard specification, unladen vehicles.

Technical Data

Model Variant	Energy Consumption Combined (Wh/km) ¹	EAER Electric Range (miles) ¹
GLB 250+ electric Sport	164	379
GLB 250+ electric Sport Towing Package	166	376
GLB 250+ electric Sport DC Charging	166	375
GLB 250+ electric Sport Towing Package and DC Charging	167	372
GLB 250+ electric Sport Executive	168	370
GLB 250+ electric Sport Executive Towing Package	169	367
GLB 250+ electric Sport Executive DC Charging	170	367
GLB 250+ electric Sport Executive Towing Package and DC Charging	171	364
GLB 250+ electric AMG Line Executive	170	367
GLB 250+ electric AMG Line Executive Towing Package	170	366
GLB 250+ electric AMG Line Executive DC Charging	172	362
GLB 250+ electric AMG Line Executive Towing Package and DC Charging	172	362
GLB 250+ electric AMG Line Premium	172	362
GLB 250+ electric AMG Line Premium Towing Package	172	362
GLB 250+ electric AMG Line Premium DC Charging	173	359
GLB 250+ electric AMG Line Premium Towing Package and DC Charging	174	358
GLB 250+ electric AMG Line Premium Plus	173	359
GLB 250+ electric AMG Line Premium Plus Towing Package	174	356
GLB 250+ electric AMG Line Premium Plus DC Charging	175	355
GLB 250+ electric AMG Line Premium Plus Towing Package and DC Charging	176	352

¹Figures shown are for compatibility purposes; only compare with other cars tested to the same technical procedures. Figures may not reflect real life driving results, which will depend upon a number of factors including the starting charge of the battery, factory-fitted options, accessories (post registration), variations in weather, driving styles and vehicle load. Further information about the test used to establish range, power consumption and CO2 figures can be found at www.mercedes-benz.co.uk/WLTP.

Technical Data

Model Variant	Energy Consumption Combined (Wh/km) ¹	EAER Electric Range (miles) ¹
GLB 350 4MATIC electric AMG Line Executive	169	360
GLB 350 4MATIC electric AMG Line Executive Towing Package	171	356
GLB 350 4MATIC electric AMG Line Executive DC Charging	171	355
GLB 350 4MATIC electric AMG Line Executive Towing Package and DC Charging	173	352
GLB 350 4MATIC electric AMG Line Premium	171	356
GLB 350 4MATIC electric AMG Line Premium Towing Package	173	353
GLB 350 4MATIC electric AMG Line Premium DC Charging	173	352
GLB 350 4MATIC electric AMG Line Premium Towing Package and DC Charging	175	349
GLB 350 4MATIC electric AMG Line Premium Plus	174	349
GLB 350 4MATIC electric AMG Line Premium Plus Towing Package	176	346
GLB 350 4MATIC electric AMG Line Premium Plus DC Charging	176	345
GLB 350 4MATIC electric AMG Line Premium Plus Towing Package and DC Charging	178	342

¹Figures shown are for compatibility purposes; only compare with other cars tested to the same technical procedures. Figures may not reflect real life driving results, which will depend upon a number of factors including the starting charge of the battery, factory-fitted options, accessories (post registration), variations in weather, driving styles and vehicle load. Further information about the test used to establish range, power consumption and CO2 figures can be found at www.mercedes-benz.co.uk/WLTP.



Effective from April 2026 production. Information correct at time of publication
15.04.2026. Prices and specifications are subject to change without prior notice.

Mercedes-Benz

THE ALL-NEW GLB

Model Year 807

From April 2026 production





Model Overview



Colours



Upholsteries & Trim



Wheels



Optional Equipment



Pricing



Standard Equipment



Technical Data



Further Information



Digital Extras



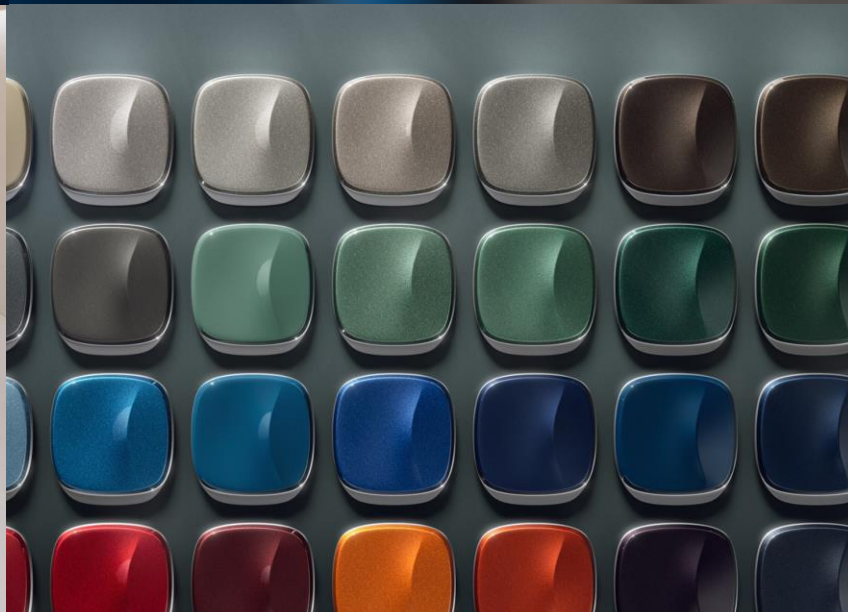
Services & Insurance



Roadside Assistance



Online Showroom



Configurator



Genuine Accessories

7-Seat Model Lines



Sport



Sport Executive



AMG Line Executive



AMG Line Premium



AMG Line Premium Plus





Sport

Some of the model features, optional extras and colours shown may not be available, or may be available in a different specification, or at a different price. Option shown: Night Black Solid.



Some of the model features, optional extras and colours shown may not be available, or may be available in a different specification, or at a different price. Option shown: ARTICO man-made leather / Sortland fabric black.



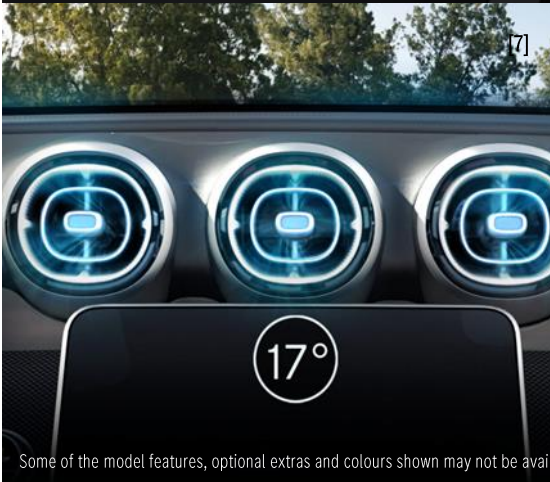
Exterior Highlights

- Panoramic roof [1]
- Partially illuminated Mercedes star and panel with Mercedes-Benz pattern [3]
- 18-inch 5-twin-spoke light-alloy wheels [2]
- LED High performance headlamps [4]
- Mirror package with automatically folding wingmirrors
- Terrain mode (GLB 220 4MATIC only)



Interior Highlights

- 3rd row of seats for 2 people [5]
- Heated front seats [6]
- Anti-slip mat for boot in black
- Rear armrest
- THERMATIC automatic climate control [7]
- Anthracite anodised-look trim elements [8]
- 4-way lumbar support
- ARTICO man-made leather / Sortland fabric black



Technology Highlights

- Selfie and video camera 219 with facial recognition [9]
- Digital Extra: MBUX Smartphone integration
- Digital Extra: MBUX Navigation supported by Google maps (Free for first 7 years)
- MBUX Multimedia system with 14" central media display
- GUARD 360 vehicle protection
- Blind spot assist
- Digital Extra: MB.DRIVE PARKING ASSIST





Sport Executive



Some of the model features, optional extras and colours shown may not be available, or may be available in a different specification, or at a different price. Option shown: ARTICO man-made leather in black.



Exterior Highlights

- Heat-insulating dark-tinted glass [1]
- Flush-fitting door handles [2]
- 19-inch multi-spoke light-alloy wheels [3]

Interior Highlights

- Ambient lighting [4]
- Wireless charging for mobile phones [5]
- ARTICO man-made leather black [6]
- Light brushed aluminium trim elements [7]



Technology Highlights

- HANDS-FREE ACCESS [8]
- KEYLESS-GO Convenience package [9]
- Digital Extra: Pre-installation for Digital Vehicle Key for Smartphone (available from second half of 2026)





AMG Line Executive

Some of the model features, optional extras and colours shown may not be available, or may be available in a different specification, or at a different price. Option shown: MANUFATUR Patagonia Red metallic.



Some of the model features, optional extras and colours shown may not be available, or may be available in a different specification, or at a different price. Option shown: ARTICO man-made leather / MICROCUT microfibre two-tone black / clean white pearl.



Exterior Highlights

- Surround lighting with animated projection of the Mercedes-Benz pattern, 2x [1]
- 19-inch AMG 5-spoke light-alloy wheels [2]
- AMG Bodystyling [3]

Interior Highlights

- Sports seats [4]
- Light carbon-grain aluminium trim elements [5]
- AMG floor mats [6]
- Multifunction sports steering wheel in nappa leather [7]
- Upholstery in ARTICO nappa-look man-made leather / MICROCUT microfibre black



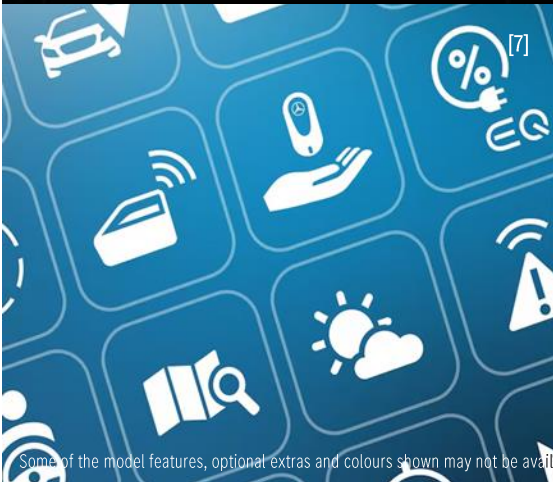


AMG Line Premium

Some of the model features, optional extras and colours shown may not be available, or may be available in a different specification, or at a different price. Option shown: High-Tech Silver metallic



Some of the model features, optional extras and colours shown may not be available, or may be available in a different specification, or at a different price. Option shown: ARTICO man-made leather upholstery / MICROCUT microfibre black



Exterior Highlights

- 20-inch AMG multi-spoke light-alloy wheels [1]

Interior Highlights

- Door sills, illuminated, with exchangeable cover [2]
- Memory package [3]
- THERMOTRONIC automatic climate control [4]
- Ambient lighting with projection of brand logo [5]

Technology Highlights

- Digital Extra: MBUX Augmented reality navigation [6]
- Digital Extra: MBUX Entertainment 3 years [7]
- MBUX Superscreen [8]

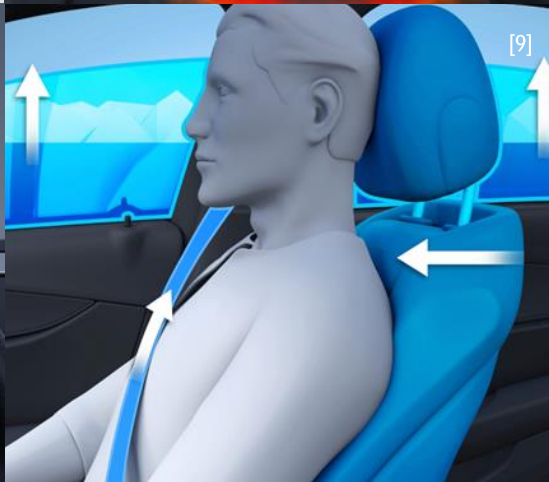
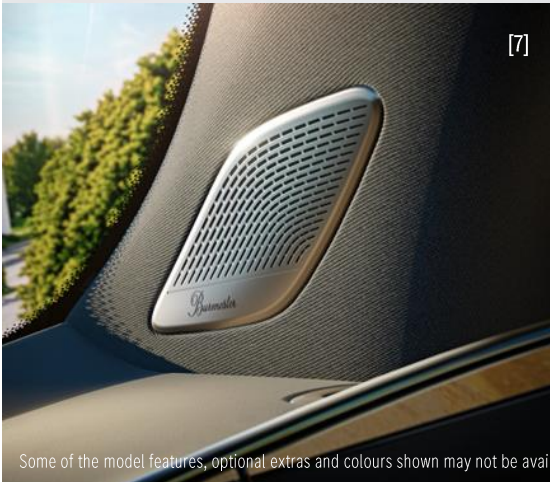


AMG Line Premium
Plus

Some of the model features, optional extras and colours shown may not be available, or may be available in a different specification, or at a different price. Option shown: MANUFAKTUR Alpine Grey solid.



Some of the model features, optional extras and colours shown may not be available, or may be available in a different specification, or at a different price. Option shown: Two-tone ARTICO nappa-look man-made leather black / power red.



Exterior Highlights

- Rear light strip [1]
- Heated wiper blades
- Heat and noise-insulating acoustic glass [2]
- AMG Spoiler lip [3]
- Night Package [4]
- MULTIBEAM LED and adaptive high beam assist plus
- 20-inch AMG 5-twin-spoke light-alloy wheels [5]
- Terrain mode (GLB 220 4MATIC only)

Interior Highlights

- Matt white natural fibre silent lines trim elements
- Heated steering wheel [6]
- Burmester® 3D surround sound system [7]

Technology Highlights

- Transparent bonnet (GLB 220 4MATIC only)
- Head-up Display [8]
- PRE-SAFE® system [9]
- Digital Extra: MB.DRIVE PARKING ASSIST 360
- Sound personalisation



Personalisation



Night Black solid
[696U] - Standard



Polar White solid
[149U] - £0



Aqua-Mint solid
[341U] - £0



Sapphire Blue metallic
[809U] - £715



High-Tech Silver metallic
[922U] - £715



Cosmos Black metallic
[831U] - £715

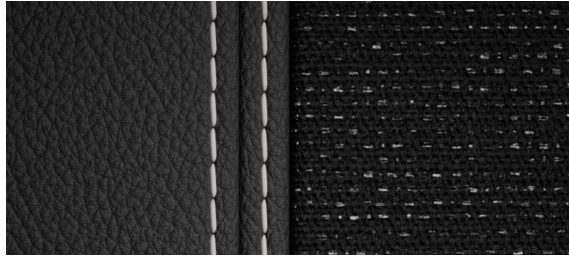


Manufaktur
Patagonia Red metallic
[993U] - £825



Manufaktur
Alpine Grey solid
[956U] - £825

Personalisation



Comfort seats in ARTICO man-made leather / Sortland fabric black [301A]

Sport	✓
Sport Executive	-
AMG Line Executive	-
AMG Line Premium	-
AMG Line Premium Plus	-



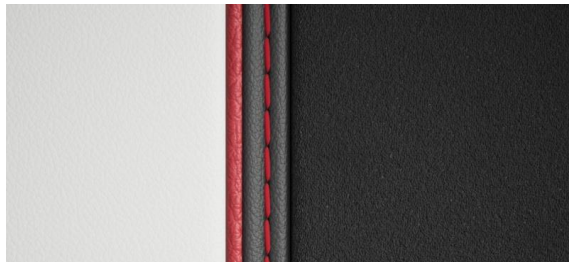
Comfort seats in ARTICO man-made leather black [101A]

Sport	-
Sport Executive	✓
AMG Line Executive	-
AMG Line Premium	-
AMG Line Premium Plus	-



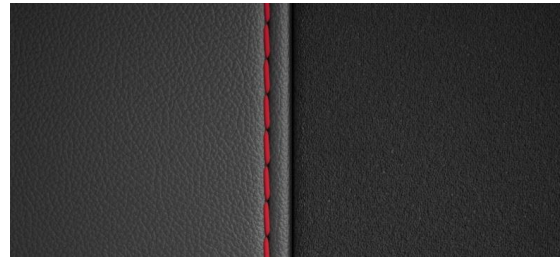
Comfort seats in ARTICO man-made leather ivory beige / black [105A]

Sport	-
Sport Executive	○
AMG Line Executive	-
AMG Line Premium	-
AMG Line Premium Plus	-



Sports seats in ARTICO man-made leather upholstery / MICROCUT microfibre two-tone black / clean white pearl [681A]

Sport	-
Sport Executive	-
AMG Line Executive	✓
AMG Line Premium	✓
AMG Line Premium Plus	✓



Sports seats in ARTICO man-made leather upholstery / MICROCUT microfibre black [651A]

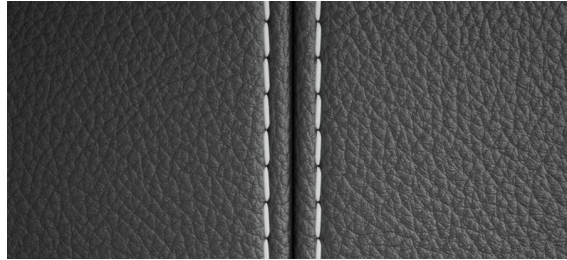
Sport	-
Sport Executive	-
AMG Line Executive	○
AMG Line Premium	○
AMG Line Premium Plus	○



Sports seats in ARTICO nappa-look man-made leather / MICROCUT two-tone microfibre black / power red [151A]

Sport	-
Sport Executive	-
AMG Line Executive	○
AMG Line Premium	○
AMG Line Premium Plus	○

Personalisation



Sports seats in Leather black
[211A]

Sport	-
Sport Executive	-
AMG Line Executive	-
AMG Line Premium	£1,300
AMG Line Premium Plus	£1,300



Personalisation



Anthracite anodised-look trim [59H]

Sport	✓
Sport Executive	–
AMG Line Executive	–
AMG Line Premium	–
AMG Line Premium Plus	–



Light brushed aluminium trim [42H]

Sport	–
Sport Executive	✓
AMG Line Executive	–
AMG Line Premium	✓
AMG Line Premium Plus	–



Light carbon-grain aluminium trim [H43]

Sport	–
Sport Executive	–
AMG Line Executive	✓
AMG Line Premium	–
AMG Line Premium Plus	–



Matt white natural silent trim [19H]

Sport	–
Sport Executive	–
AMG Line Executive	–
AMG Line Premium	–
AMG Line Premium Plus	✓

Personalisation



18" aerodynamic light-alloy wheels in 5-spoke design, painted in high-gloss black with a high-sheen finish [82R]

Sport	✓
Sport Executive	-
AMG Line Executive	-
AMG Line Premium	-
AMG Line Premium Plus	-



19" aerodynamic light-alloy wheels in multi-spoke design, painted in high-gloss black and with a high-sheen finish [27R]

Sport	-
Sport Executive	✓
AMG Line Executive	-
AMG Line Premium	-
AMG Line Premium Plus	-



19" AMG 5-spoke light-alloy wheels, aerodynamically optimised, painted in high-gloss black with a high-sheen finish [RR1]

Sport	-
Sport Executive	-
AMG Line Executive	✓
AMG Line Premium	-
AMG Line Premium Plus	-



20" AMG light-alloy wheels in cross-spoke design, aerodynamically optimised, painted high-gloss black and with a high-sheen finish [RVU]

Sport	-
Sport Executive	-
AMG Line Executive	-
AMG Line Premium	✓
AMG Line Premium Plus	-



20" AMG light-alloy wheels in 5-twin-spoke design, diamond-cut with dark-tinted clear coat [RRP]

Sport	-
Sport Executive	-
AMG Line Executive	-
AMG Line Premium	-
AMG Line Premium Plus	✓



Trailer coupling with ESP® trailer stabilisation [550]

£950

Expand your transport options: With the trailer hitch, you can hitch up trailers as well as mount bicycle racks. The trailer hitch is ready for use in no time at all - and can be folded in behind the rear bumper just as quickly when it is no longer needed.

- Tow Bar -

ESP® trailer stabilisation: when towing a trailer, ESP® trailer stabilisation can automatically intervene in critical situations. Your vehicle recognises the trailer automatically as soon as the electric plug is connected. The ESP® stabilisation functions are automatically active from a speed of 65 km/h. If undesirable swaying movements are detected, the trailer stabilisation actively dampens them with the help of wheel-specific, reciprocal brake applications. In most cases this is already sufficient to reduce dangerous vibrations. If necessary, the system also reduces the speed: for this, the engine torque is reduced, and the vehicle is braked at all four wheels.

Trailer mode: in a menu on the central display, select your trailer type and enter the maximum permissible speed. This allows your vehicle to adapt the functions of the speed limit assistant for trailer operation, for example.

Sport	•
Sport Executive	•
AMG Line Executive	•
AMG Line Premium	•
AMG Line Premium Plus	•

✓ indicates standard equipment, ○ indicates optional at no extra cost, - indicates not available, • indicates a cost option. Price indicates optional at the cost shown. Price shown inclusive of VAT.

Pricing

	Powertrain	CO ₂ ¹	Basic RRP excl. VAT	Total RRP incl. VAT	Road Fund Licence ²	Rec. OTR Price ³	P11D Value	BIK Tax Rate 2026/27
Sport	GLB 180 Sport	134	£33,875.00	£40,650.00	£560.00	£42,070.00	£41,455.00	32%
	GLB 200 Sport	135	£34,958.33	£41,950.00	£560.00	£43,370.00	£42,755.00	33%
	GLB 220 4MATIC Sport	143	£37,900.00	£45,480.00	£560.00	£46,900.00	£46,285.00	34%
Sport Executive	GLB 180 Sport Executive	135	£35,500.00	£42,600.00	£560.00	£44,020.00	£43,405.00	33%
	GLB 200 Sport Executive	136	£36,583.33	£43,900.00	£560.00	£45,320.00	£44,705.00	33%
	GLB 220 4MATIC Sport Executive	143	£39,525.00	£47,430.00	£560.00	£48,850.00	£48,235.00	34%
AMG Line Executive	GLB 180 AMG Line Executive	137	£37,708.33	£45,250.00	£560.00	£46,670.00	£46,055.00	33%
	GLB 200 AMG Line Executive	138	£38,791.67	£46,550.00	£560.00	£47,970.00	£47,355.00	33%
	GLB 220 4MATIC AMG Line Executive	145	£41,691.67	£50,030.00	£560.00	£51,450.00	£50,835.00	35%
AMG Line Premium	GLB 180 AMG Line Premium	136	£40,250.00	£48,300.00	£560.00	£49,720.00	£49,105.00	33%
	GLB 200 AMG Line Premium	137	£41,333.33	£49,600.00	£560.00	£51,020.00	£50,405.00	33%
	GLB 220 4MATIC AMG Line Premium	145	£44,233.33	£53,080.00	£560.00	£54,500.00	£53,885.00	35%
AMG Line Premium Plus	GLB 180 AMG Line Premium Plus	138	£42,833.33	£51,400.00	£560.00	£52,820.00	£52,205.00	33%
	GLB 200 AMG Line Premium Plus	139	£43,916.67	£52,700.00	£560.00	£54,120.00	£53,505.00	33%
	GLB 220 4MATIC AMG Line Premium Plus	147	£46,816.67	£56,180.00	£560.00	£57,600.00	£56,985.00	35%

¹The indicated values were determined according to the prescribed measurement method - Worldwide Harmonised Light Vehicle Test Procedure (WLTP). Figures shown may include options which are not available in the UK. Battery Electric Vehicles (BEV) require mains electricity for charging; range figures determined with the battery fully charged. These models require mains electricity for charging. ²Figures shown are for comparability purposes; only compare with other cars tested to the same technical procedures. Figures may not reflect real life driving results, which will depend upon a number of factors including factory-fitted options, accessories fitted (post registration), variations in weather, driving styles and vehicle load. Further information about the test used to establish fuel consumption and CO₂ figures can be found at <http://www.mercedes-benz.co.uk/WLTP> ³A different first year rate of Vehicle Excise Duty (Road Fund Licence) applies for new cars. ³The recommended on-the-road price includes the Road Fund Licence applicable to the standard model plus delivery charge (£780.00 incl. VAT), new vehicle registration fee (£55.00) and number plates (£25.00 incl. VAT). VAT is calculated at the standard rate of 20%. Some of the model features, optional extras and colours shown may not be available, or may only be available in a different specification, or at a different price.

Standard Equipment

	Sport	Sport Executive	AMG Line Executive	AMG Line Premium	AMG Line Premium Plus
Engine, Transmission & Suspension					
4MATIC four-wheel drive - variable all-wheel drive system designed for all weather (GLB 220 4MATIC only)	✓	✓	✓	✓	✓
8G-eDCT dual clutch transmission, 8-speed automatic - 2 partial gearboxes, each with its own clutch and additional separating clutch for the electric motor	✓	✓	✓	✓	✓
Electric motor, 22 kW peak power, 205 Nm maximum torque - Basic functions: electric drive, boost, recuperation and starting the combustion engine	✓	✓	✓	✓	✓
Driving modes – DYNAMIC SELECT drive programmes: "Comfort", "Eco", "Sport" and "Individual"	✓	✓	✓	✓	✓
Comfort suspension	✓	✓	✓	-	-
Adjustable damping	-	-	-	✓	✓
Exterior					
Sport bodystyling	✓	✓	-	-	-
AMG bodystyling	-	-	✓	✓	✓
AMG Line Plus Bodystyling (with Night Package) - additional gloss-black design elements	-	-	-	-	✓
Panoramic sunroof - extends over the entire roof surface up, fixed glass roof with coatings for increased protection against heat and sunlight	✓	✓	✓	✓	✓
Surround lighting with animated projection of the Mercedes-Benz pattern, 2x	-	-	✓	✓	✓
Body-coloured door handles	✓	-	-	-	-
Flush-fitting door handles - Automatically retractable and extendable door handles	-	✓	✓	✓	✓
Boot capacity: 480 litre	✓	✓	✓	✓	✓
Storage: Mechanical front boot (frunk) 127 litre	✓	✓	✓	✓	✓
Glass – rearscreen, heated with timer control	✓	✓	✓	✓	✓
Lights – LED High Performance headlamps with integrated LED daytime running lights and Adaptive Highbeam Assist	✓	✓	✓	✓	-
Lights – MULTIBEAM LED headlamps and Adaptive Highbeam Assist Plus	-	-	-	-	✓
Lights – LED tail lamps	✓	✓	✓	✓	✓
Rear light strip - Animated light strip between the rear lights	-	-	-	-	✓
Heat-insulating dark-tinted glass - Dark glass for the rear side windows and the rear window	-	✓	✓	✓	-
Heat and noise-insulating acoustic glass	-	-	-	-	✓
Mirror package - Electrically folding mirrors and automatically dimming rear view mirror	✓	✓	✓	✓	✓
MB. Drive Parking Assist	✓	✓	✓	✓	✓
Roof railing	✓	✓	✓	✓	✓



Standard Equipment

	Sport	Sport Executive	AMG Line Executive	AMG Line Premium	AMG Line Premium Plus
Wheels					
18" aerodynamic light-alloy wheels in 5-spoke design, painted in high-gloss black with a high-sheen finish (82R)	✓	-	-	-	-
19" aerodynamic light-alloy wheels in multi-spoke design, painted in high-gloss black and with a high-sheen finish (27R)	-	✓	-	-	-
19" AMG 5-spoke light-alloy wheels, aerodynamically optimised, painted in high-gloss black with a high-sheen finish (RRI)	-	-	✓	-	-
20" AMG light-alloy wheels in cross-spoke design, aerodynamically optimised, painted high-gloss black and with a high-sheen finish (RVU)	-	-	-	✓	-
20" AMG light-alloy wheels in 5-twin-spoke design, diamond-cut with dark-tinted clear coat (RRP)	-	-	-	-	✓
Interior					
Air conditioning – air vents with surround in silver chrome	✓	✓	✓	✓	✓
THERMATIC one-zone automatic climate control	✓	✓	✓	-	-
THERMOTRONIC two-zone automatic climate control	-	-	-	✓	✓
Centre console with 2 levels: Useful storage compartments and convenient functions such as cup holders are elegantly embedded in it	✓	✓	✓	✓	✓
Centre armrest – rear, with stowage	-	✓	✓	✓	✓
Cup holder – twin, front	✓	✓	✓	✓	✓
Velour floor mats	✓	✓	-	-	-
Floor mats - Black with AMG lettering	-	-	✓	✓	✓
Anti-slip mat for boot in black - The black anti-slip mat protects the load compartment from soiling	✓	✓	✓	✓	✓
Interior lighting - reading light in 1st row, vanity mirrors, glove compartment, cup holders & front storage compartment	✓	✓	✓	✓	✓
Ambient lighting - at the front and in the rear, including a lighting line from the windscreen to the rear doors, 64 colours and 10 colour worlds	-	✓	✓	✓	✓
Luggage net on driver's and front passenger backrest	✓	✓	✓	✓	✓
KEYLESS-GO Starting Function	✓	✓	✓	✓	✓
KEYLESS-GO Convenience Package - start and lock/unlock the car without touching the key. The tailgate can also be opened and closed with a kicking motion beneath the rear bumper.	-	✓	✓	✓	✓
Illuminated door sill panels with interchangeable covers	-	-	-	✓	✓
Seats - Heated front seats	✓	✓	✓	✓	✓
Seats – Rear seat backrests, split folding (40:20:40)	✓	✓	✓	✓	✓
Seats - Comfortable, fully adjustable front seats with luggage net at the rear	✓	✓	✓	-	-
Seats – Sporty contoured seats with adjustable head restraints in integral look	-	-	-	✓	✓
Seats - Electrically adjustable front memory seats with lumbar support	-	-	-	✓	✓
Seats – 4 way electric lumbar support	✓	✓	✓	✓	✓
Seats – 3rd row of seats for 2 people with fore/aft adjustment of the 2nd row of seats and EASY-ENTRY entry aid	✓	✓	✓	✓	✓



✓ indicates standard equipment, ○ indicates optional at no extra cost, - indicates not available. Price indicates optional at the cost shown.

Standard Equipment

	Sport	Sport Executive	AMG Line Executive	AMG Line Premium	AMG Line Premium Plus
Windows – electric windows (4)	✓	✓	✓	✓	✓
Fluorescent jacket	✓	✓	✓	✓	✓
Winter Package - Steering wheel heater and heated windscreen wiper blades	-	-	-	-	✓
Steering					
Steering - Direct-rack steer system	✓	✓	✓	✓	✓
Steering column – manually adjustable for height and reach	✓	✓	✓	✓	✓
Leather multifunction sports steering wheel - in leather in 3-spoke design with control buttons on the left and right	✓	✓	-	-	-
Multifunction sports steering wheel in nappa leather is flattened at the bottom and deeply embossed in the grip area - perfect for sporty driving	-	-	✓	✓	✓
Paint, Trim and Upholstery					
Paint – non-metallic	✓	✓	✓	✓	✓
Roof lining – black	✓	✓	✓	✓	✓
Trim - Anthracite anodised-look trim element	✓	-	-	-	-
Trim - Light brushed aluminium trim elements	-	✓	-	✓	-
Trim - Light carbon-grain aluminium trim elements	-	-	✓	-	-
Trim - Matt white natural fibre silent lines trim elements	-	-	-	-	✓
Upholstery - ARTICO man-made leather / Sortland fabric black	✓	-	-	-	-
Upholstery - ARTICO man-made leather black	-	✓	-	-	-
Upholstery - ARTICO man-made leather upholstery / MICROCUT microfibre two-tone in black / clean white pearl - other options available	-	-	✓	✓	✓
Black seat belts	✓	✓	✓	✓	✓
Digital Extras					
Digital Extra: MBUX Smartphone Integration supports Android Auto™ and Apple CarPlay™ ¹	✓	✓	✓	✓	✓
Adaptive Highbeam Assist	✓	✓	✓	✓	-
Adaptive Highbeam Assist Plus	-	-	-	-	✓
Active Distance Assist DISTRONIC – the system uses sensors to detect vehicles travelling in the direction of travel and regulates the pre-selected target distance	✓	✓	✓	✓	✓
MB.DRIVE PARKING ASSIST with reversing camera, and front and rear parking sensors	✓	✓	✓	✓	-
MB.DRIVE PARKING ASSIST 360	-	-	-	-	✓
MBUX Entertainment – 3 years access to Digital Extras for entertainment as well as the in-car app store, including music and video streaming services ¹	-	-	-	✓	✓
MBUX Navigation – fast navigation with up-to-date map data and precise real-time information (free for the first seven years)	✓	✓	✓	✓	✓
Mercedes-Benz app - Extended MBUX functions ¹	✓	✓	✓	✓	✓

¹To use this service, you must register on the Digital Extras portal and also accept the Terms of Use for the Digital Extras services. In addition, the respective vehicle must be paired with the user account. Upon expiry of the initial term, the services can be extended for a fee. Initial activation of the services is possible within 1 year of first registration or commissioning by the customer, whichever comes first.

✓ indicates standard equipment, ○ indicates optional at no extra cost, - indicates not available, ● indicates a cost option.

Standard Equipment

	Sport	Sport Executive	AMG Line Executive	AMG Line Premium	AMG Line Premium Plus
Safety and Assistance Systems					
Acoustic presence indicator	✓	✓	✓	✓	✓
Emergency Brake Assist ¹	✓	✓	✓	✓	✓
Airbags – dual-stage, driver and front passenger	✓	✓	✓	✓	✓
Airbags – head and sidebags, driver and front passenger	✓	✓	✓	✓	✓
Airbags - Centre airbag - deploys between the driver and front passenger in the event of a severe side impact	✓	✓	✓	✓	✓
Airbags – kneebag for driver	✓	✓	✓	✓	✓
Airbags - Automatic passenger airbag deactivation	✓	✓	✓	✓	✓
Alarm system with immobiliser and interior protection – Thatcham category 1 (T1)	✓	✓	✓	✓	✓
ATTENTION ASSIST – monitors steering behaviour and can help alert to long journey fatigue ¹	✓	✓	✓	✓	✓
Blind Spot Assist Plus ¹	✓	✓	✓	✓	✓
Braking – adaptive Brake Assist with HOLD function and Hill Start Assist	✓	✓	✓	✓	✓
Braking – adaptive brake lights	✓	✓	✓	✓	✓
Braking – anti-lock braking system (ABS) with Brake Assist (BAS)	✓	✓	✓	✓	✓
Braking – brake-pad wear warning indicator	✓	✓	✓	✓	✓
Crash responsive emergency lighting	✓	✓	✓	✓	✓
Car wash mode - The exterior mirrors fold in, side windows and sliding roof close, windscreen wipers remain switched off and the climate control switches to air-recirculation mode.	✓	✓	✓	✓	✓
Digital Extra: Distance Assist DISTRONIC - speed limit function, automatic restart function, route-based speed adjustment ¹	✓	✓	✓	✓	✓
Electric parking brake	✓	✓	✓	✓	✓
Electronic Stability Programme (ESP) with Acceleration Skid Control (ASR)	✓	✓	✓	✓	✓
ESP Curve Dynamic Assist	✓	✓	✓	✓	✓
Exit Warning Function	✓	✓	✓	✓	✓
Evasive Steering Evasive steering function -If you start an evasive manoeuvre, the evasive steering function helps you to swerve and straighten the vehicle in order to avoid a collision ¹	✓	✓	✓	✓	✓
Eye tracking technology to prevent driver distraction	✓	✓	✓	✓	✓
First-aid kit and warning triangle	✓	✓	✓	✓	✓
Headlamp Assist – automatic headlamp activation	✓	✓	✓	✓	✓
KEYLESS-GO start function	✓	✓	✓	✓	✓
Lane Keeping Assist ¹	✓	✓	✓	✓	✓
Lamp failure indicator	✓	✓	✓	✓	✓



¹Our driver assistance and safety systems are aids and do not relieve you of your responsibility as the driver. Please take note of the information in the Owner's Manual and the system limits which are described therein.

✓ indicates standard equipment, ○ indicates optional at no extra cost, - indicates not available. Price indicates optional at the cost shown.

Standard Equipment

	Sport	Sport Executive	AMG Line Executive	AMG Line Premium	AMG Line Premium Plus
Locking – childproof locks, manually operated for rear doors and electrically operated for rear power windows	✓	✓	✓	✓	✓
Locking – remote central locking and crash sensor with emergency opening function	✓	✓	✓	✓	✓
Radar-based recuperation	✓	✓	✓	✓	✓
Rain-sensing windscreen wipers with two sensitivity settings	✓	✓	✓	✓	✓
Rear fog lamp	✓	✓	✓	✓	✓
Seats – automatic child seat recognition sensor (pressure sensor)	✓	✓	✓	✓	✓
Seats – ISOFIX and top-tether child seat fixing points in rear (two outer seats)	✓	✓	✓	✓	✓
Seats – seat occupancy sensor, front passenger seat	✓	✓	✓	✓	✓
Seats – Rear belt status indicator in the instrument display	✓	✓	✓	✓	✓
Seat belts – reminder, front and rear	✓	✓	✓	✓	✓
Seat belts – three-point, rear (3)	✓	✓	✓	✓	✓
Seat belt - in black	✓	✓	✓	✓	✓
Speed limit assist ¹	✓	✓	✓	✓	✓
Summer tyres	✓	✓	✓	✓	✓
Tyres – TIREFIT tyre-sealant kit	✓	✓	✓	✓	✓
Tyres – tyre pressure monitoring system	✓	✓	✓	✓	✓
GUARD 360 ° Vehicle protection - anti-theft alarm system	✓	✓	✓	✓	✓
PRE-SAFE® system - Preventive occupant protection, including PRE-SAFE® Sound, reversible belt tensioning and closing function for the side windows	-	-	-	-	✓



¹Our driver assistance and safety systems are aids and do not relieve you of your responsibility as the driver. Please take note of the information in the Owner's Manual and the system limits which are described therein.

✓ indicates standard equipment, ○ indicates optional at no extra cost, - indicates not available. Price indicates optional at the cost shown.

Standard Equipment

	Sport	Sport Executive	AMG Line Executive	AMG Line Premium	AMG Line Premium Plus
Communication and In-Car Entertainment					
Media display – 14" touchscreen display with a resolution of 2,504 x 1,260 pixels	✓	✓	✓	✓	✓
MBUX Superscreen - 14" front passenger display with touch control with a resolution of 2,504 x 1,260 pixels, which can be used to watch films, use productivity apps or play games	-	-	-	✓	✓
Driver display - 10.25" driver display with a resolution of 1,920 x 720 pixels	✓	✓	✓	✓	✓
2 USB-C ports in the storage compartment under the armrest of the centre console, 100 W, suitable for data transfer, 2 rear USB-C ports on the centre armrest, fast charging, 100 W	✓	✓	✓	✓	✓
DAB digital radio	✓	✓	✓	✓	✓
Supercomputer MB.OS: Intelligent multimedia system with facial recognition	✓	✓	✓	✓	✓
Facial recognition	✓	✓	✓	✓	✓
Selfie and video camera	✓	✓	✓	✓	✓
Digital owners manual - English	✓	✓	✓	✓	✓
Sound System - Mercedes-Benz Sound system - output of 125W from eight speakers	✓	✓	✓	✓	-
Burmester® 3D surround sound system - with 16 speakers and 850 watts of system output and automatic sound focus, to seat recognition and Dolby Atmos®	-	-	-	-	✓
Wireless charging system for mobile devices in the front ¹	-	✓	✓	✓	✓
Head-up display	-	-	-	-	✓

¹Compatible mobile phone required. Please check www.mercedes-benz.com for details or contact your local Mercedes-Benz Agent for further information.

To use this service, you must register on the Digital Extras portal and also accept the Terms of Use for the Digital Extras services. In addition, the respective vehicle must be paired with the user account. Upon expiry of the initial term, the services can be extended for a fee. Initial activation of the services is possible within 1 year of first registration or commissioning by the customer, whichever comes first.

✓ indicates standard equipment, ○ indicates optional at no extra cost, - indicates not available. Price indicates optional at the cost shown.

Optional Equipment

			Sport	Sport Executive	AMG Line Executive	AMG Line Premium	AMG Line Premium Plus
Trailer Coupling with ESP Stabilisation	[550]	£950	•	•	•	•	•
Tow Bar			^	^	^	^	^
ESP Trailer Stabilisation			^	^	^	^	^
Solid Paint							
Night black	[696U]	Standard	✓	✓	✓	✓	✓
Polar white	[149U]	£0	○	○	○	○	○
Aqua mint	[341U]	£0	○	○	○	○	○
Metallic Paint							
Cosmos black	[191U]	£715	•	•	•	•	•
High-tech silver	[922U]	£715	•	•	•	•	•
Sapphire blue	[809U]	£715	•	•	•	•	•
MANUFAKTUR Paint							
Alpine grey solid	[956U]	£825	•	•	•	•	•
Patagonia red metallic	[993U]	£825	•	•	•	•	•
Upholstery							
ARTICO man-made leather/ Sortland fabric black	[301A]	Standard	✓	-	-	-	-
ARTICO man-made leather black	[101A]	Standard	-	✓	-	-	-
ARTICO man-made leather upholstery / MICROCUT microfibre two-tone black / clean white pearl	[681A]	Standard	-	-	✓	✓	-
No-cost option upholstery							
ARTICO man-made leather ivory beige / black	[105A]	£0	-	○	-	-	-
ARTICO man-made leather, two-tone black / power red	[151A]	£0	-	-	○	○	○
ARTICO man-made leather upholstery / MICROCUT microfibre black	[651A]	£0	-	-	○	○	○
Cost option upholstery							
Leather black	[211A]	£1,300	-	-	-	•	•

Technical Data

Bodystyle	CO2 & Consumption Values				
	Engine	Fuel Type	Transmission	Model Variant	CO2 Combined (g/km)
SUV	GLB 180	Petrol Hybrid	Automatic	Sport	134
				Sport Executive	135
				AMG Line Executive	137
				AMG Line Premium	136
				AMG Line Premium Plus	138
	GLB 200	Petrol Hybrid	Automatic	Sport	135
				Sport Executive	136
				AMG Line Executive	138
				AMG Line Premium	137
	GLB 220 4MATIC	Petrol Hybrid	Automatic	Sport	143
				Sport Executive	143
				AMG Line Executive	145
				AMG Line Premium	145
				AMG Line Premium Plus	147

Model	Wheel Code	Wheels & Tyres		
		Description	Front	Rear
Sport	82R	18" aerodynamic light-alloy wheels in 5-spoke design, painted in high-gloss black with a high-sheen finish	235/55 R18	235/55 R18
Sport Executive	27R	19" aerodynamic light-alloy wheels in multi-spoke design, painted in high-gloss black and with a high-sheen finish	235/50 R19	235/50 R19
AMG Line Executive	RRI	19" AMG 5-spoke light-alloy wheels, aerodynamically optimised, painted in high-gloss black with a high-sheen finish	235/50 19	235/50 R19
AMG Line Premium	RVU	20" AMG light-alloy wheels in cross-spoke design, aerodynamically optimised, painted high-gloss black and with a high-sheen finish	235/45 R20	235/45 R20
AMG Line Premium Plus	RRP	20" AMG light-alloy wheels in 5-twin-spoke design, diamond-cut with dark-tinted clear coat	235/45 R20	235/45 R20

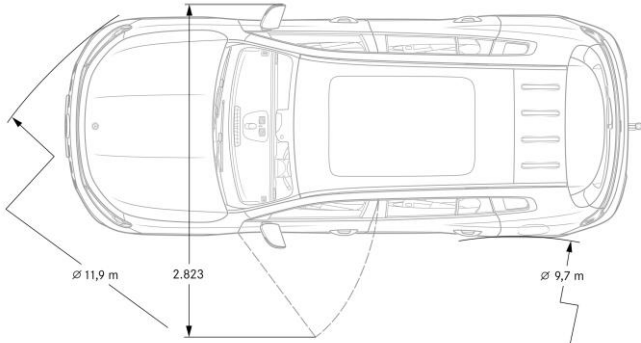
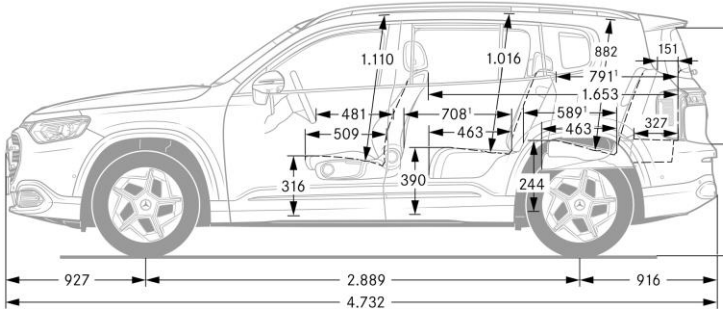
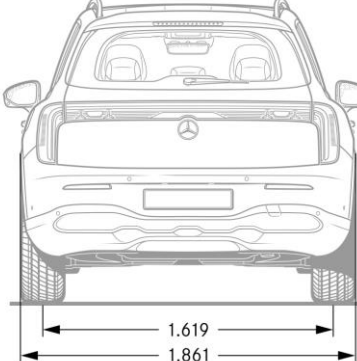
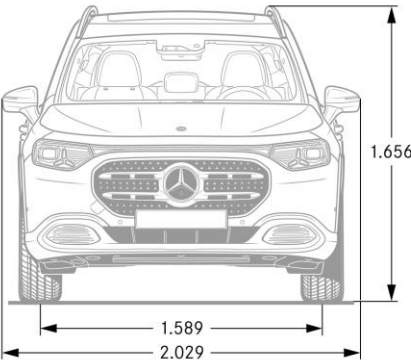
Technical Data

		GLB 180 automatic	GLB 200 automatic	GLB 220 4MATIC automatic
EMISSIONS				
CO2 (g/km)		See CO2/MPG table	See CO2/MPG table	See CO2/MPG table
Emissions standard		Euro 6 EB	Euro 6 EB	Euro 6 EB
POWERTRAIN				
Fuel delivery		Petrol	Petrol	Petrol
Total displacement	cc	1499	1499	1499
Arrangement/cylinder/valves		in-line/4/16	in-line/4/16	in-line/4/16
Power - Hybrid drive ¹	hp (kW)	14 (22)	14 (22)	14 (22)
Power - Combustion engine ¹	hp (kW)	136 (100)	163 (120)	190 (140)
Torque ¹	Nm	200	250	300
Acceleration (0-62mph)	secs	9.7	8.7	7.5
Top speed	mph	120	129	132
WEIGHT & CAPABILITIES				
Kerb weight ²	kg	1.840	1.840	1.905
Permissible gross vehicle weight	kg	2325	2325	2390
Boot capacity	litres	480 - 1605	480 - 1605	480 - 1605
No. of seats		7	7	7
Fuel tank capacity/of which reserve	litres	52/5	52/5	60/5
Towing capacity - unbraked/braked	kg	750/1.600	750/1.800	750/2.000

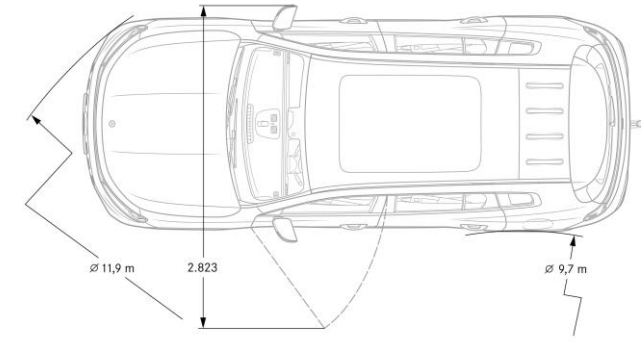
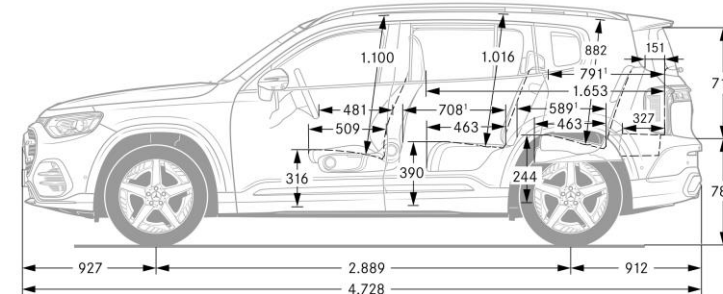
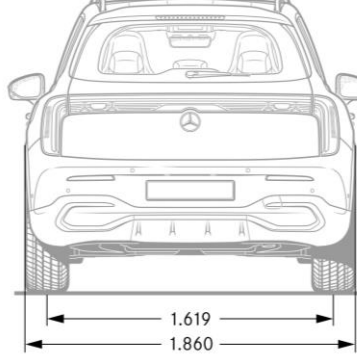
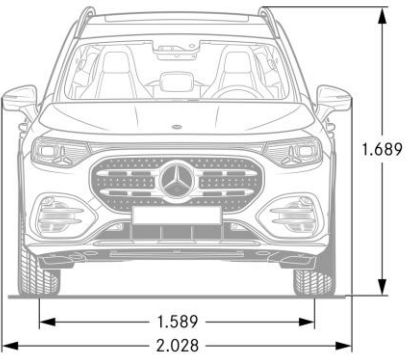
¹Figures according to Regulation (EC) No. 595/2009 in the currently applicable version. ²³Specified voltage and current values refer to network infrastructure and can be limited by the vehicle. Times are from 10-100% charge using a wallbox (three-phase) or standard socket (single-phase). ⁴Specified voltage and current values refer to network infrastructure and can be limited by the vehicle. Times are from 10-80% charge using rapid public charging at 170kW. ⁵Figures shown are for compatibility purposes; only compare with other cars tested to the same technical procedures. Figures may not reflect real life driving results, which will depend upon a number of factors including the starting charge of the battery, factory-fitted options, accessories fitted (post registration), variations in weather, driving styles and vehicle load. Further information about the test used to establish range, power consumption and CO2 figures can be found at www.mercedes-benz.co.uk/WLTP. Specified voltage and current values refer to network infrastructure and can be limited by the vehicle.

Technical Data

Sport / Sport Executive



AMG Line Executive / AMG Line Premium / AMG Line Premium Plus



All measurements in millimetres. The dimensions shown are mean values and apply to standard specification, unladen vehicles.

Technical Data

Model Variant	WLTP CO2 Combined (g/km) ¹	WLTP Low (l/100km) ¹	WLTP Medium (l/100km) ¹	WLTP High (l/100km) ¹	WLTP Extra High (l/100km) ¹	WLTP Combined (l/100km) ¹	Kerb Weight (KG) ¹	WLTP Low (mpg) ¹	WLTP Medium (mpg) ¹	WLTP High (mpg) ¹	WLTP Extra High (mpg) ¹	WLTP Combined (mpg) ¹
GLB 180												
GLB 180 Sport	134	7.4	5.4	5	6.4	5.9	1910	38.2	52.3	56.5	44.1	47.9
GLB 180 Sport Executive	135	7.5	5.4	5.1	6.4	5.9	1919	37.7	52.3	55.4	44.1	47.9
GLB 180 AMG Line Executive	137	7.5	5.4	5.1	6.6	6	1920	37.7	52.3	55.4	42.8	47.1
GLB 180 AMG Line Premium	136	7.5	5.4	5.1	6.5	6	1926	37.7	52.3	55.4	43.5	47.1
GLB 180 AMG Line Premium Plus	138	7.6	5.4	5.2	6.6	6	1936	37.2	52.3	54.3	42.8	47.1
GLB 180 Sport Towing Package	135	7.5	5.4	5.1	6.4	5.9	1933	37.7	52.3	55.4	44.1	47.9
GLB 180 Sport Executive Towing Package	136	7.6	5.4	5.1	6.5	6	1941	37.2	52.3	55.4	43.5	47.1
GLB 180 AMG Line Executive Towing Package	138	7.6	5.4	5.2	6.6	6.1	1942	37.2	52.3	54.3	42.8	46.3
GLB 180 AMG Line Premium Towing Package	138	7.6	5.4	5.2	6.6	6	1948	37.2	52.3	54.3	42.8	47.1
GLB 180 AMG Line Premium Plus Towing Package	138	7.6	5.5	5.2	6.6	6.1	1958	37.2	51.4	54.3	42.8	46.3
GLB 200												
GLB 200 Sport	135	7.5	5.4	5.1	6.4	6	1910	37.7	52.3	55.4	44.1	47.1
GLB 200 Sport Executive	136	7.5	5.4	5.1	6.5	6	1919	37.7	52.3	55.4	43.5	47.1
GLB 200 AMG Line Executive	138	7.5	5.4	5.2	6.7	6.1	1920	37.7	52.3	54.3	42.2	46.3
GLB 200 AMG Line Premium	137	7.6	5.4	5.2	6.6	6	1926	37.2	52.3	54.3	42.8	47.1
GLB 200 AMG Line Premium Plus	139	7.6	5.4	5.2	6.7	6.1	1936	37.2	52.3	54.3	42.2	46.3
GLB 200 Sport Towing Package	136	7.5	5.4	5.1	6.5	6	1933	37.7	52.3	55.4	43.5	47.1
GLB 200 Sport Executive Towing Package	137	7.6	5.4	5.2	6.5	6	1941	37.2	52.3	54.3	43.5	47.1
GLB 200 AMG Line Executive Towing Package	139	7.6	5.4	5.3	6.7	6.1	1942	37.2	52.3	53.3	42.2	46.3
GLB 200 AMG Line Premium Towing Package	139	7.6	5.4	5.2	6.6	6.1	1948	37.2	52.3	54.3	42.8	46.3
GLB 200 AMG Line Premium Plus Towing Package	139	7.7	5.5	5.3	6.7	6.1	1958	36.7	51.4	53.3	42.2	46.3
GLB 220 4MATIC												
GLB 220 4MATIC Sport	143	8.2	5.8	5.4	6.6	6.3	1998	34.5	48.7	52.3	42.8	44.8
GLB 220 4MATIC Sport Executive	143	8.2	5.8	5.4	6.6	6.3	1984	34.5	48.7	52.3	42.8	44.8
GLB 220 4MATIC AMG Line Executive	145	8.2	5.9	5.5	6.8	6.4	1985	34.5	47.9	51.4	41.5	44.1
GLB 220 4MATIC AMG Line Premium	145	8.2	5.9	5.5	6.8	6.4	1991	34.5	47.9	51.4	41.5	44.1
GLB 220 4MATIC AMG Line Premium Plus	147	8.2	5.9	5.6	7	6.5	2001	34.5	47.9	50.4	40.4	43.5
GLB 220 4MATIC Sport Towing Package	143	8.2	5.8	5.4	6.6	6.3	1998	34.5	48.7	52.3	42.8	44.8
GLB 220 4MATIC Sport Executive Towing Package	145	8.3	5.9	5.4	6.7	6.4	2006	34.0	47.9	52.3	42.2	44.1
GLB 220 4MATIC AMG Line Executive Towing Package	146	8.2	5.9	5.5	6.9	6.4	2007	34.5	47.9	51.4	40.9	44.1
GLB 220 4MATIC AMG Line Premium Towing Package	146	8.2	5.9	5.5	6.8	6.4	2013	34.5	47.9	51.4	41.5	44.1
GLB 220 4MATIC AMG Line Premium Plus Towing Package	147	8.2	5.9	5.5	6.9	6.5	2023	34.5	47.9	51.4	40.9	43.5

¹Figures shown are for compatibility purposes; only compare with other cars tested to the same technical procedures. Figures may not reflect real life driving results, which will depend upon a number of factors including the starting charge of the battery, factory-fitted options, accessories (post registration), variations in weather, driving styles and vehicle load. Further information about the test used to establish range, power consumption and CO2 figures can be found at www.mercedes-benz.co.uk/WLTP.



Effective from April 2026 production. Information correct at time of publication 15.04.2026. Prices and specifications are subject to change without prior notice.