

Transit City Pricelist



WAEGB-TTQ-2027-TransitCityVanGBR202700
WAEGB-TTQ-2027-TransitCityChassisCabGBR202700
Effective: 29/04/2026

Transit City Pricelist



Van SWB Low Roof



WAEGB-TTQ-2027-TransitCityVanGBR202700
WAEGB-TTQ-2027-TransitCityChassisCabGBR202700
Effective: 29/04/2026

Transit City Pricelist



Van LWB High Roof



WAEGB-TTQ-2027-TransitCityVanGBR202700
WAEGB-TTQ-2027-TransitCityChassisCabGBR202700
Effective: 29/04/2026

Transit City Pricelist



Chassis Cab LWB



WAEGB-TTQ-2027-TransitCityVanGBR202700
WAEGB-TTQ-2027-TransitCityChassisCabGBR202700
Effective: 29/04/2026

Transit City Pricelist



Van Standard Content - Trend

EXTERIOR FEATURES

| | |
|--|-------|
| Kerbside Side Load Door | A4LAB |
| Hinged Rear Cargo Door (180°) | A6KAN |
| Partial Body Colour Front Bumper | CLFBW |
| Black Plastic Rear Bumper | CLMAJ |
| Black Exterior Door Handle | CAAAB |
| Manual Fold, Electrically Adjustable, Non-Heated Mirrors | BSHA6 |
| Auto Headlamps - Follow Me Home | JB1AB |
| Halogen Headlamps | JBBAB |
| LED Daytime Running Lamps | JBCAB |
| Halogen Taillamps | JDAAT |
| High Mounted Stop Lamp | JDDAB |
| Automatic Headlamp On/Off | JEDAD |
| Intermittent Variable Windshield Wiper | CFFAB |
| Glass Front Window | B2MAB |
| Low Roof Line (SWB) | A1FAB |
| High Roof Line (MWB) | A1FAE |

RESTRAINTS & SAFETY FEATURES

| | |
|---|-------|
| Breakdown Warning Sign with Warning Triangle | AHHAB |
| Seat Belt Warning Buzzer (Driver & Passenger) | BY5AG |
| Emergency Call Button | HKKAB |
| Driver Airbag | CPGAB |
| Passenger Airbag | CPHAB |
| Passenger Airbag Deactivation | CPQAB |
| Alcohol Interlock Interface | A5HAD |
| Power Door Locks | CBAAB |
| Central Power Lock Group | CBBAD |
| Smart Key Fob | CBPAK |
| Automatic Delayed Door Locking | CBUAB |
| Perimeter Alarm | TBC |
| Double Locking (Thatcham) | HNABD |
| Safety Vest | ADMAD |

WHEELS & TYRES

| | |
|-----------------------------------|-------|
| Single Rear Wheels | D2AAB |
| Steel Wheels 16" with Wheel Cover | D2BDC |
| 215/65 R16C Black Side Wall Tyre | D3JRC |
| Tire Repair Kit | AHTAB |

INTERIOR FEATURES

| | |
|---|-------|
| Manual Air Conditioner | AC--B |
| PTC Heater | G2AAF |
| 7" Cluster | HCAAX |
| 12.3" Multi Function Display | HJGBB |
| Load Compartment Light | JCMAB |
| Driver side sun visor - without mirror & lights | BCAAB |
| Passenger side sun visor - without mirror & lights | BCBAB |
| Interior Cargo Trim - Half Height | BAUAB |
| Black Inside Door Handles | BCFAC |
| 2-way Front Head restraints | BVRAC |
| Driver Heated Seat | BY1AB |
| Manual 6-way Driver Seat Adjuster | BYPAE |
| Dual Passenger Seat | FS--G |
| Fixed Steering Column | GRAAB |
| Base Steering Wheel - PU | GTAAB |
| Power Front Windows One Touch Down | B2CAE |
| 2 Radio Speaker | IDBAB |
| USB Interface - 2 Units | A2EAC |
| In-Vehicle Infotainment (Incl. Apple CarPlay & Android Au | IEVAU |
| Driver Impairment Monitor - Camera | HLFAC |
| Load Space Floor Cover - PVC | BBFAC |

DRIVER ASSISTANCE

| | |
|---|-------|
| Front Parking Aid - 4 ultrasonic sensors | CL7AB |
| Rear Parking Aid - 4 ultrasonic sensors | CLUAB |
| Fixed Rear View Camera | J3KAB |
| Speed Sign Recognition | HLQAB |
| Adaptive Speed Control & Cruise Control | GTDBC |
| Selectable Drive Modes - Normal, Eco & Slippery | DMSAB |

BATTERY FEATURES

| | |
|---------------------------------|-------|
| Traction Battery #3 (55.59 KWH) | HTHAF |
| Battery Heater | HTEAB |
| EV Charge Port - CCS2 | JZCAN |

MECHANICAL FEATURES

| | |
|----------------------------------|-------|
| Electric Parking Brake | FAJAC |
| Automatic Emergency Brake | FCBAF |
| Electro-Hydraulic Braking Assist | FCAAD |

Transit City Pricelist



Chassis Cab Standard Content - Trend

EXTERIOR FEATURES

| | |
|--|-------|
| Partial Body Colour Front Bumper | CLFBW |
| Black Exterior Door Handle | CAAAB |
| Manual Fold, Electrically Adjustable, Non-Heated Mirrors | BSHA6 |
| Auto Headlamps - Follow Me Home | JB1AB |
| Halogen Headlamps | JBBAB |
| LED Daytime Running Lamps | JBCAB |
| Halogen Taillamps | JDAAT |
| Automatic Headlamp On/Off | JEDAD |
| Intermittent Variable Windshield Wiper | CFFAB |
| Glass Front Window | B2MAB |

MECHANICAL FEATURES

| | |
|----------------------------------|-------|
| Electric Parking Brake | FAJAC |
| Automatic Emergency Brake | FCBAF |
| Electro-Hydraulic Braking Assist | FCAAD |

WHEELS & TYRES

| | |
|-----------------------------------|-------|
| Single Rear Wheels | D2AAB |
| Steel Wheels 16" with Wheel Cover | D2BDC |
| 215/65 R16C Black Side Wall Tyre | D3JRC |
| Tire Repair Kit | AHTAB |

DRIVER ASSISTANCE

| | |
|---|-------|
| Front Parking Aid - 4 ultrasonic sensors | CL7AB |
| Rear Parking Aid - 4 ultrasonic sensors | CLUAB |
| Fixed Rear View Camera | J3KAB |
| Speed Sign Recognition | HLQAB |
| Adaptive Speed Control & Cruise Control | GTDBC |
| Selectable Drive Modes - Normal, Eco & Slippery | DMSAB |

BATTERY FEATURES

| | |
|---------------------------------|-------|
| Traction Battery #3 (55.59 KWH) | HTHAF |
| Battery Heater | HTEAB |
| EV Charge Port - CCS2 | JZCAN |

INTERIOR FEATURES

| | |
|--|-------|
| Manual Air Conditioner | AC--B |
| PTC Heater | G2AAF |
| 7" Cluster | HCAAX |
| 12.3" Multi Function Display | HJGBB |
| Non-Dipping Inside Mirror | BSBAD |
| Driver side sun visor - without mirror & lights | BCAAB |
| Passenger side sun visor - without mirror & lights | BCBAB |
| Black Inside Door Handles | BCFAC |
| 2-way Front Head restraints | BVRAC |
| Driver Heated Seat | BY1AB |
| Manual 6-way Driver Seat Adjuster | BYPAE |
| Dual Passenger Seat | FS--G |
| Fixed Steering Column | GRAAB |
| Base Steering Wheel - PU | GTAAB |
| Power Front Windows One Touch Down | B2CAE |
| 2 Radio Speaker | IDBAB |
| USB Interface - 2 Units | AZEAC |
| In-Vehicle Infotainment (Incl. Apple CarPlay & Android Auto) | IEVAU |
| Driver Impairment Monitor - Camera | HLFAC |

RESTRAINTS & SAFETY FEATURES

| | |
|---|-------|
| Breakdown Warning Sign with Warning Triangle | AHHAB |
| Seat Belt Warning Buzzer (Driver & Passenger) | BY5AG |
| Emergency Call Button | HKKAB |
| Driver Airbag | CPGAB |
| Passenger Airbag | CPHAB |
| Passenger Airbag Deactivation | CPQAB |
| Alcohol Interlock Interface | A5HAD |
| Power Door Locks | CBAAB |
| Smart Key Fob | CBPAK |
| Automatic Delayed Door Locking | CBUAB |
| Perimeter Alarm | TBC |
| Double Locking (Thatcham) | HNABD |
| Safety Vest | ADMAD |

Transit City Pricelist



Transit City Pricing





| Bodystyle | Series | GVM | Length | Height | Engine | Transmission | Drive | NRP (£) (less VAT) | RRP (£) (Incl VAT) | OTR (£) (less VAT) | OTR (£) (Incl VAT) | MDW |
|-------------|--------|------|--------|--------|---------------------|-------------------|-------|-----------------------|-----------------------|-----------------------|-----------------------|--------|
| Van | Trend | 300S | SWB | H1 | 56kWh 110kW / 150PS | 1-speed automatic | FWD | 29,000 | 34,800 | 29,436 | 35,240 | 26,854 |
| Van | Trend | 330M | LWB | H2 | 56kWh 110kW / 150PS | 1-speed automatic | FWD | 31,500 | 37,800 | 31,936 | 38,240 | 29,169 |
| Chassis Cab | Trend | 330M | LWB | H1 | 56kWh 110kW / 150PS | 1-speed automatic | FWD | 31,500 | 37,800 | 31,936 | 38,240 | 29,169 |



Transit City Pricelist






Van - Colour & Trim

| | | | Trend | NRP (£) | GRP (£) | MDW |
|------------------------------|-------|---|-------|---------|---------|-----|
| Solid Body Colours | | | | | | |
| Frozen White | PN3GZ |  | O | 0 | 0 | 0 |
| Metallic Body Colours | | | | | | |
| Ingot Silver Metallic | PN4AG |  | O | 650 | 780 | 585 |
| Blue Panther Metallic | PN4HE |  | O | 650 | 780 | 585 |
| Panther Black Metallic | PNJAB |  | O | 650 | 780 | 585 |
| SVO Body Colours | | | | | | |
| Broom Yellow SVO | PSTBL | | O | 1,000 | 1,200 | 900 |
| Trim | | | | | | |
| C - Cloth Trim #3 - Domino | 3JTTV | | S | 0 | 0 | 0 |

Transit City Pricelist



Chassis Cab - Colour & Trim

| | | | Trend | NRP (£) | GRP (£) | MDW |
|------------------------------|-------|---|-------|---------|---------|-----|
| Solid Body Colours | | | | | | |
| Frozen White | PN3GZ |  | O | 0 | 0 | 0 |
| Metallic Body Colours | | | | | | |
| Blue Panther Metallic | PN4HE |  | O | 650 | 780 | 585 |
| Panther Black Metallic | PNJAB |  | O | 650 | 780 | 585 |
| Trim | | | | | | |
| C - Cloth Trim #3 - Domino | 3JTTV | | S | 0 | 0 | 0 |

Transit City Pricelist



Technical Data

| | Weights and Loads | | | | Axle Plates | |
|--|-------------------|----------|--------------|-----------|-------------|------------|
| | Kerb (kg) | GVM (kg) | Payload (kg) | MIRO (kg) | FGAWR (kg) | RGAWR (kg) |
| Van SWB Low Roof 300S 56kWh 110kW / 150PS 1-speed automatic FWD | 1,915 | 3,000 | 1,085 | 1,990 | 1,330 | 1,780 |
| Van LWB High Roof 330M 56kWh 110kW / 150PS 1-speed automatic FWD | 1,995 | 3,270 | 1,275 | 2,070 | 1,440 | 1,920 |
| Chassis Cab LWB 330M 56kWh 110kW / 150PS 1-speed automatic FWD | 1,670 | 3,270 | 1,600 | 1,745 | 1,440 | 1,920 |

Warranty and Service Intervals

Service Interval: 2Years, Unlimited Miles

Base Warranty: 3years, 100K Miles

Paint Surface Warranty: 3years, 100K Miles

Perforation Warranty: 10years, No Mileage Limit

KERB WEIGHT - The weight of the vehicle including a full tank of fuel and all standard and optional equipment. It does not include the weight of the driver, any passengers or cargo.

GVM - Gross Vehicle Mass - The maximum permitted mass of the vehicle including the driver, passengers, fluids and the load.

PAYLOAD - The weight that a vehicle is able to carry. It does not include the weight of the vehicle itself. The payload stated above is the gross payload not including the driver

MIRO - Mass in Running Order - The total weight of a vehicle without passengers, goods or other items. It does include the driver and all the standard equipment.

GTM - Gross Train Mass - The combined weight of the vehicle, trailer and payload.

Transit City Pricelist



Transit City Consumption, Range and Charging

| | WLTP Combined Range (m)* | WLTP Combined Energy Consumption (kWh/100m) | WLTP City Range (m)* | WLTP City Energy Consumption (kWh/100m) | DC Fast Charging Time 10-80% | Max. DCFC Charging Power (kW) | AC Charging Time 10-100% - 7.4kW 1-phase | AC Charging Time 10-100% - 11kW 3-phase |
|--------------------|--------------------------|---|----------------------|---|------------------------------|-------------------------------|--|---|
| Van | | | | | | | | |
| SWB Low Roof | 157.8 | 38.3 | 236.7 | 24.95 | 33 mins | 87 | 8 hours | 5.5 hours |
| LWB High Roof | 139.2 | 43.45 | 211.2 | 28 | 33 mins | 87 | 8 hours | 5.5 hours |
| Chassis Cab | | | | | | | | |
| Chassis Cab LWB | TBC | | | | 33 mins | 87 | 8 hours | 5.5 hours |

Powertrain Specifications

| All Electric | Onboard Charger | DC Fast Charging | Useable Battery | Motor Power | Torque |
|--------------|-----------------|------------------|-----------------|---------------|--------|
| E-Motor | 11kW | 87kW | 56kWh | 110kW / 150PS | 260Nm |

The battery capacity figure specified is the usable capacity determined by Ford and used to deliver the stated performance and battery durability.

Based on full charge. Estimated range using Worldwide Harmonised Light Vehicle Test Procedure (WLTP). Figures shown are for comparability purposes and should only be compared with other vehicles tested to the same technical procedures. Actual range varies due to factors such as temperature, driving behaviour, route profile, vehicle maintenance, lithium-ion battery age and condition. WLTP Overall Range reflects a combined driving cycle and WLTP Extra High reflects motorway driving – both tests are conducted in controlled conditions with an ambient temperature of 23 degrees Celsius and no climate or electrical load.

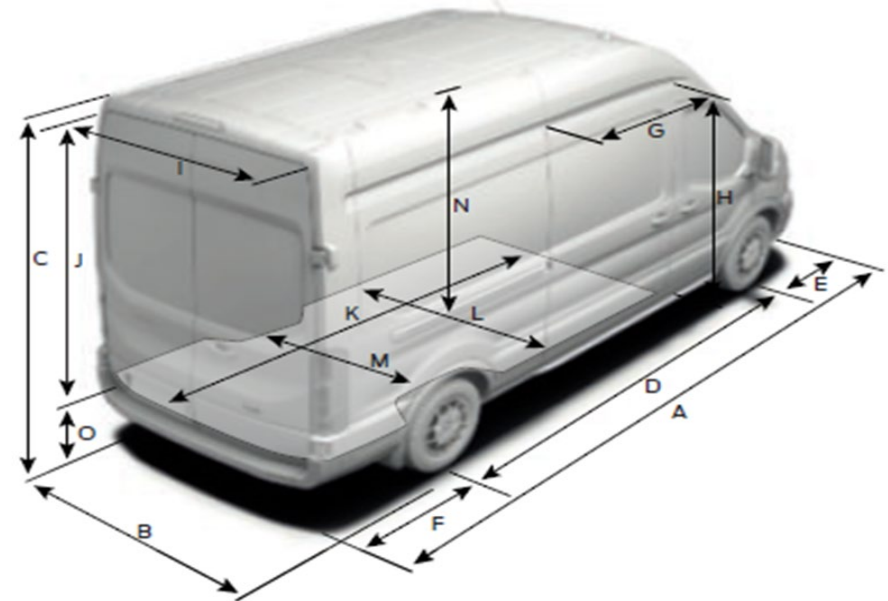
Achieved using high power charging. Actual charge times and charging speeds will vary according to the type of home or public charging station used, as well as other factors (including weather, ambient temperature, driving behaviour, driving profile, vehicle condition, lithium-ion battery age, condition, and temperature).

Transit City Pricelist



Dimensions

| | SWB Low Roof | LWB High Roof |
|---|--------------|---------------|
| Exterior - Length (mm) | | |
| A Overall length | 4,985 | 5,285 |
| D Wheelbase | 3,060 | 3,360 |
| E Front overhang | 810 | 810 |
| F Rear overhang | 1,115 | 1,115 |
| G Side door entry width | 1,164 | 1,164 |
| Interior - Length (mm) | | |
| K Maximum loadspace length (at floor with bulkhead) | 2,770 | 3,070 |
| Exterior - Height (mm) | | |
| C Overall height | 1,991 | 2,285 |
| H Side load door entry height | 1,397 | 1,397 |
| J Rear door entry height | 1,330 | 1,620 |
| Interior - Height (mm) | | |
| N Load floor to roof | 1,456 | 1,746 |
| O Loading height (SRW) | 550 | 552 |
| Exterior - Width (mm) | | |
| B Overall width with mirrors | 2,258 | 2,258 |
| Overall width with folded back mirrors | 2,150 | 2,150 |
| Overall width without mirrors | 1,885 | 1,885 |
| I Rear door entry width | 1,593 | 1,593 |
| Interior - Width (mm) | | |
| L Maximum loadspace width | 1,740 | 1,740 |
| M Loadspace between wheel arches | 1,300 | 1,300 |
| Interior - Volumes (m³) | | |
| SAE Load Volume | 6 | 8 |
| Maximum load volume (with bulkhead) | 6.43 | 8.5 |
| Loadspace(with bulkhead) VDA | 5.75 | 7.48 |



Transit City Pricelist



Dimensions

LWB Low Roof

Exterior - Length (mm)

| | | |
|---|---|------------------|
| A | Overall length (excluding dropside) | 5,200 |
| D | Front of vehicle to front of wheel centre | 810 |
| F | Rear of vehicle to rear wheel centre (excluding dropside) | 1,030 |
| E | Wheelbase | 3,360 |
| N | Chassis frame length | 2,890 |
| Q | Rear of cab to front wheel centre | 1,441 |
| R | Rear of cab to rear wheel centre | 1,955 |
| | Overall length (including dropside) | Depends on upfit |
| | Dropside - Internal loadspace length | Depends on upfit |

Exterior - Height (mm)

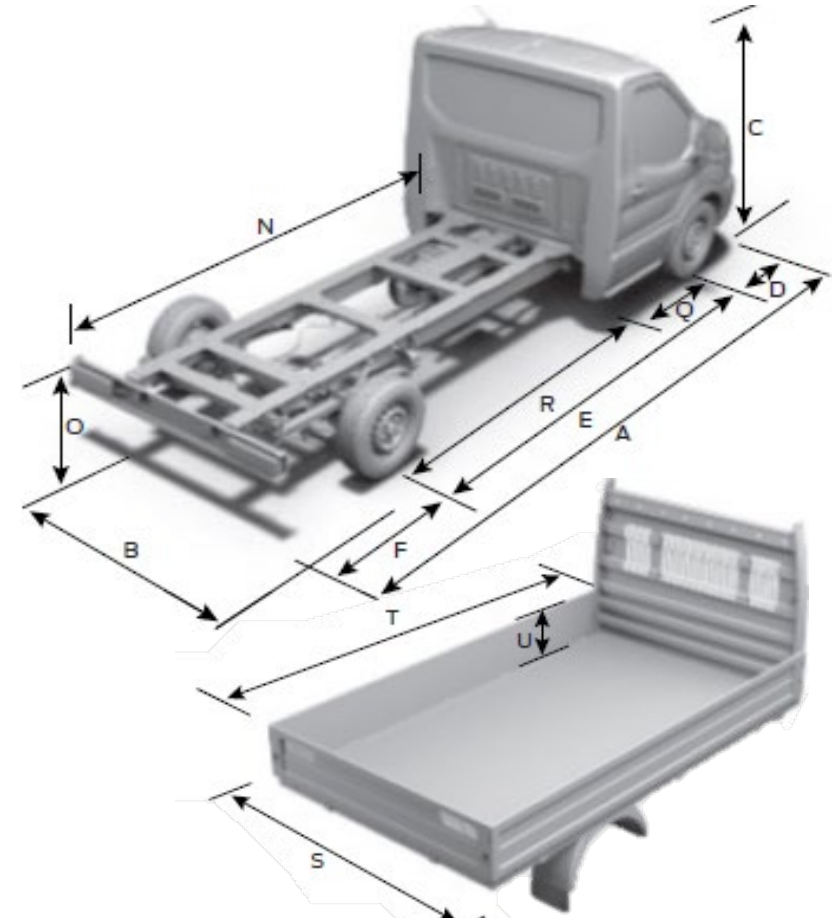
| | | |
|---|--------------------------------------|-------|
| C | Overall height (maximum) | 2,000 |
| O | Floor/Chassis frame height (at KERB) | 616 |

Exterior - Width (mm)

| | | |
|---|--|------------------|
| B | Overall width with mirrors | 2,258 |
| | Overall width with folded back mirrors | 2,150 |
| | Overall width without mirrors | 1,885 |
| S | Standard rear wheel track | 1,634 |
| | Overall width (including dropside) without mirrors | Depends on upfit |
| | Dropside - Internal loadspace width | Depends on upfit |

Exterior - Other (m)

| | | |
|--|------------------------------------|----|
| | Turning Circle, kerb to kerb (SWB) | 13 |
|--|------------------------------------|----|



OTHER PRICING CONSIDERATIONS

CUSTOMER ORDERING PRICE PROTECTION

Ford's Price Protection Plan means that the price you pay is the same as the price on your order as long as you are prepared to accept delivery within three months, and in any event, as soon as your vehicle is available. Your Dealer has full details of the plan. Ford Motor Company Ltd is not liable for changes in price caused by Government changes in tax rates or changes in other applicable legislation.

VAT

VAT is shown calculated at 20%. The total price of a vehicle, including factory fitted options and accessories fitted by the Ford Dealer, will be subject to VAT on retail sale.

PRICE CHANGES

This price list outlines Ford's recommended on the road prices and recommended retail prices. Please contact your Ford dealer for final sale prices. This price list is effective from [29th April 2026](#), and supersedes all previous price lists. The recommended prices in the publication were true and accurate at the time of printing. You should, however, check details with your Dealer as there may have been changes to Ford's recommended prices in view of Ford's policy of continuous development. Ford reserves the right to change its recommended prices at any time. Change to government legislation or tax changes could result in a change to Ford's published recommended prices.

ILLUSTRATIONS DESCRIPTIONS AND SPECIFICATIONS

The product information in this publication was correct at the time of going to print. However, Ford's policy is one of continuous product development. The right is reserved to change specifications and colours of the models and items illustrated and described in this publication at any time. For the latest details always consult your Ford Dealer.

Throughout this publication, wherever a feature is described as being an 'Option' or 'Option Fitment/Pack' etc, you should assume that it will be at extra cost to the base vehicle, unless specifically stated to the contrary. All models and colour combinations are subject to availability.

Some images portrayed are of a pre-production model and/or are computer generated, therefore the design / features on the final version of the vehicle may differ in various respects. In addition, some of the features shown on the vehicles may be optional e.g. metallic paint.

Please also note some driver assistance features and safety features described in this publication are designed to function using sensors, whose performance may be affected under certain weather or environmental conditions.