

# MERCEDES-AMG GT 63 S

4-DOOR COUPÉ

Effective from December 2022 Production.



**AMG**



Some of the model features, optional extras and colours shown may not be available, or may only be available in a different specification, or at a different price.

<a href="#">Design</a>	<a href="#">Technology</a>	<a href="#">Plug-in Hybrid</a>	<a href="#">Model lines</a>	<a href="#">Driving experience</a>	<a href="#">Model prices</a>	<a href="#">Personalisation</a>	<a href="#">Standard equipment</a>	<a href="#">Technical data</a>	<a href="#">Additional information</a>
------------------------	----------------------------	--------------------------------	-----------------------------	------------------------------------	------------------------------	---------------------------------	------------------------------------	--------------------------------	--





Some of the model features, optional extras and colours shown may not be available, or may only be available in a different specification, or at a different price.

<a href="#">Design</a>	<a href="#">Technology</a>	<a href="#">Plug-in Hybrid</a>	<a href="#">Model lines</a>	<a href="#">Driving experience</a>	<a href="#">Model prices</a>	<a href="#">Personalisation</a>	<a href="#">Standard equipment</a>	<a href="#">Technical data</a>	<a href="#">Additional information</a>
------------------------	----------------------------	--------------------------------	-----------------------------	------------------------------------	------------------------------	---------------------------------	------------------------------------	--------------------------------	--



Some of the model features, optional extras and colours shown may not be available, or may only be available in a different specification, or at a different price.

Design	Technology	Plug-in Hybrid	Model lines	Driving experience	Model prices	Personalisation	Standard equipment	Technical data	Additional information
--------	------------	----------------	-------------	--------------------	--------------	-----------------	--------------------	----------------	------------------------





Some of the model features, optional extras and colours shown may not be available, or may only be available in a different specification, or at a different price.

Design	Technology	Plug-in Hybrid	Model lines	Driving experience	Model prices	Personalisation	Standard equipment	Technical data	Additional information
--------	------------	----------------	-------------	--------------------	--------------	-----------------	--------------------	----------------	------------------------



Some of the model features, optional extras and colours shown may not be available, or may only be available in a different specification, or at a different price.

Design	Technology	Plug-in Hybrid	Model lines	Driving experience	Model prices	Personalisation	Standard equipment	Technical data	Additional information
--------	------------	----------------	-------------	--------------------	--------------	-----------------	--------------------	----------------	------------------------





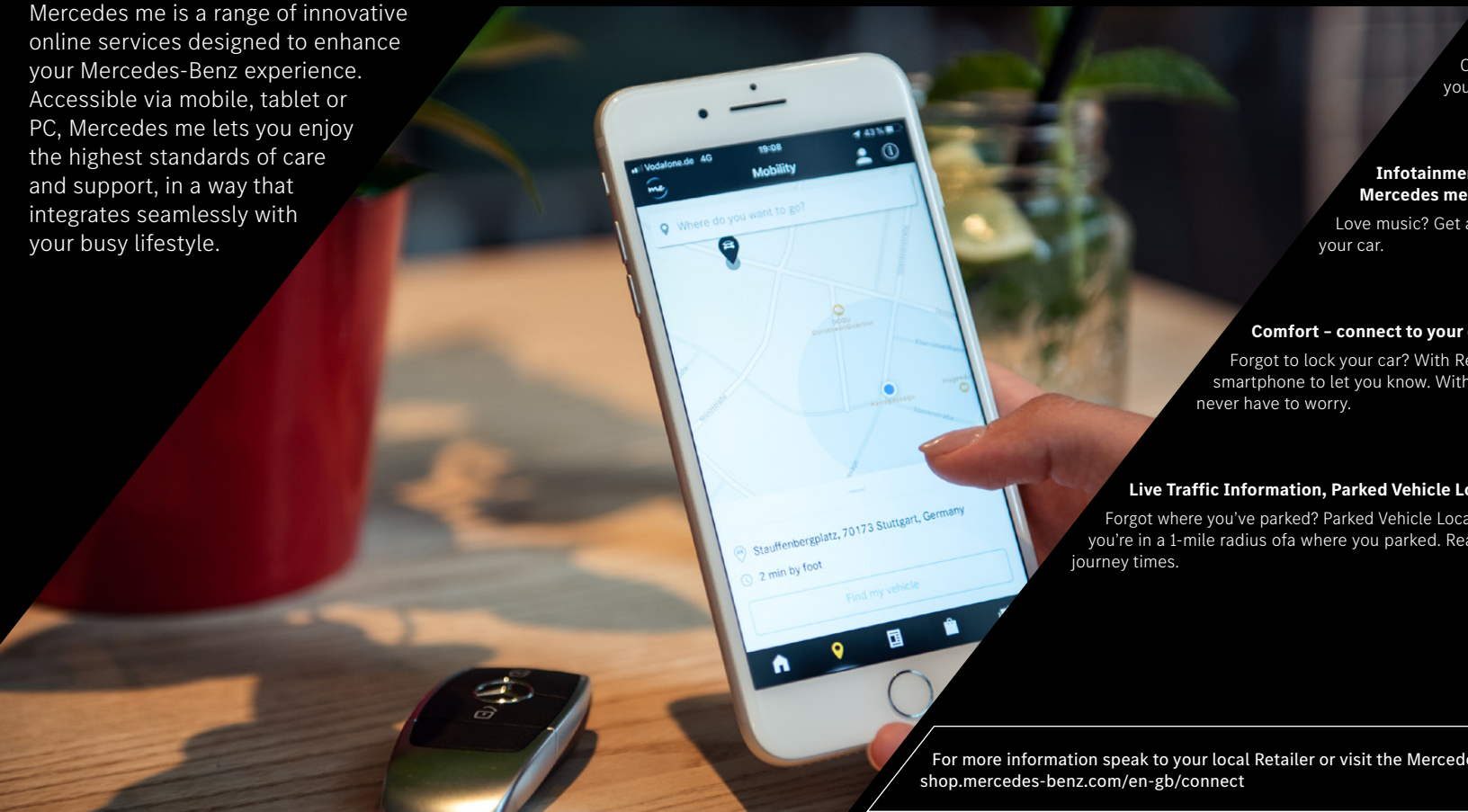
Mercedes-AMG GT

# TECHNOLOGY

# MERCEDES ME CONNECT Stay connected any time, anywhere.

Mercedes *me*

Mercedes me is a range of innovative online services designed to enhance your Mercedes-Benz experience. Accessible via mobile, tablet or PC, Mercedes me lets you enjoy the highest standards of care and support, in a way that integrates seamlessly with your busy lifestyle.



**Safety and Service - Mercedes me connect helps to keep you and your car safe**

Check your car's oil level, tyre pressure and fuel from your phone so you'll be ready for every journey.

**Infotainment - Online and Entertainment services from Mercedes me connect**

Love music? Get a 3-month free subscription to Tidal when you connect your car.

**Comfort - connect to your car anytime, anywhere**

Forgot to lock your car? With Remote Car Lock<sup>2</sup> you will receive a notification on your smartphone to let you know. With one tap, you can lock and unlock your vehicle so you never have to worry.

**Live Traffic Information, Parked Vehicle Locator and much more with Mercedes me connect**

Forgot where you've parked? Parked Vehicle Locator<sup>1</sup> will show you exactly where your car is as long as you're in a 1-mile radius of where you parked. Real-time traffic data and dynamic route with shorter journey times.

For more information speak to your local Retailer or visit the Mercedes me connect store at [shop.mercedes-benz.com/en-gb/connect](http://shop.mercedes-benz.com/en-gb/connect)

Design	Technology	Plug-in Hybrid	Model lines	Driving experience	Model prices	Personalisation	Standard equipment	Technical data	Additional information
--------	------------	----------------	-------------	--------------------	--------------	-----------------	--------------------	----------------	------------------------





Mercedes-AMG GT

# PLUG-IN HYBRID

# PLUG-IN HYBRID ELECTRIC VEHICLE (PHEV) Benefits of driving a plug-in hybrid.

Mercedes *me*

Our plug-in hybrids feature either a petrol or diesel powertrain, combined with a High Voltage battery and electric motor. Enjoy hybrid mode for maximum efficiency, or all-electric mode for local emission-free driving.



### Lower road fund license

Plug-in hybrid vehicles have lower emissions – this means you pay less for road tax.

### Cleaner vehicle discount

Plug-in hybrid models qualify for the 100% cleaner vehicle discount within the London Congestion Charge zone.

### Business benefits

With 100% first-year capital allowances<sup>1</sup> and lower Company Car tax, electric cars offer significant benefits to businesses and employees.

<sup>1</sup>100% first-year capital allowances only apply to vehicles less than 50 g CO<sub>2</sub>/km

[Click here for more information](#)



# MERCEDES ME CHARGE One registration, one contract, one billing.

Mercedes me Charge provides access to a multitude of public charging stations located in shopping centres, hotels or at motorway services. A smartphone app as well as the vehicle's navigation system show the precise location, current availability and price at the selected charging station.

# Mercedes me



### Tens of thousands charging stations in the UK

Growing network of charging providers includes bp pulse the largest charging network in the UK. Customers also get six months free bp pulse+ membership which reduces the electricity price when charging.

### Access to fast-charging stations

Enables customers to get access to charging stations of different providers with:

- Mercedes me app
- RFID card
- Mercedes-EQ Vehicle Head unit

### Green charging

All charging using Mercedes me Charge, will be retrospectively 'greened' by Mercedes-Benz. Please click here for more info.

### Transparent and easy billing

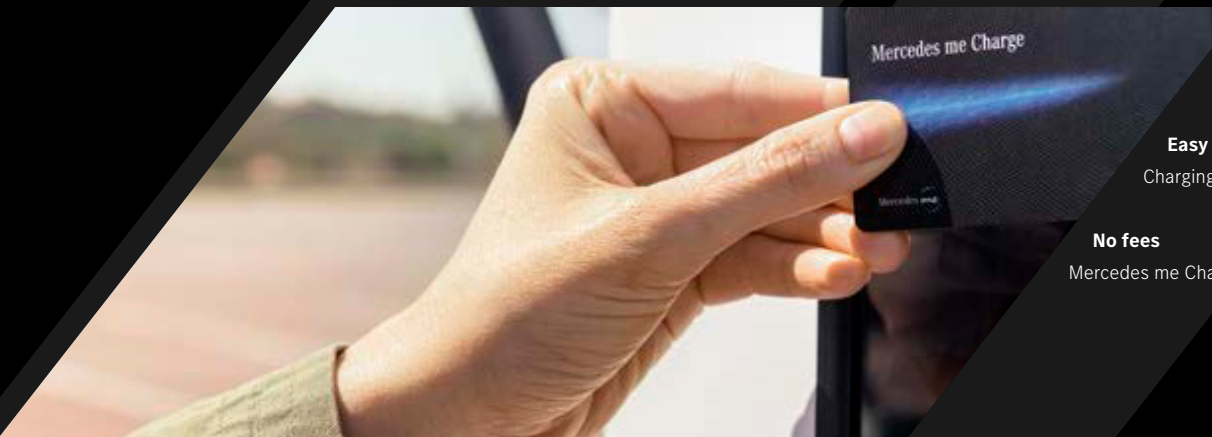
One invoice charging processes for payment.

### Easy access

Charging stations are displayed in Mercedes me app and in MBUX multimedia system.

### No fees

Mercedes me Charge is standard for one year with discounted IONITY rapid-charging for one year.



# MERCEDES ME CHARGE Tariffs

Mercedes *me*

For more transparency and predictability, enjoy numerous features tailored to your charging habits with the new Mercedes me Charge fixed-priced tariffs S, M and L. Owners of a new Plug-in Hybrid model will be entitled to the Mercedes me Charge tariff M free of charge for the duration of 12 months.



## Tariff L

Recommended for 'frequent drivers'  
Choose our tariff L to benefit from the best fixed prices for public charging, including discounted rapid-charging at IONITY charging stations as well as all Mercedes me Charge features. This tariff is recommended for frequent and long-distance drivers.

Consisting of:

- All Mercedes me Charge features
- Fixed prices per kWh (AC: £0.30/kWh; DC: £0.39/kWh)<sup>1</sup>
- IONITY rapid-charging stations discounted (£0.26/kWh)

£16.20/month

## Tariff M

Recommended for 'regular drivers'  
Should you wish to downgrade your tariff package after 12 months but still want to benefit from fixed prices, discounted rapid-charging at IONITY charging stations and complete transparency, choose tariff M. This tariff is recommended for regular drivers.

Consisting of:

- All Mercedes me Charge features
- Fixed prices per kWh (AC: £0.35/kWh; DC: £0.45/kWh)<sup>1</sup>
- IONITY rapid-charging stations discounted (£0.45/kWh)

Free of charge for the duration of 12 months.

Thereafter:

£4.90/month

## Tariff S

Recommended for 'casual drivers'  
Should you wish to downgrade your tariff package after 12 months, there is the option to go for tariff S, which still offers you all the Mercedes me Charge features based on flexible prices per kWh. This tariff is recommended for casual drivers.

Consisting of:

- All Mercedes me Charge features
- Flexible prices per kWh

£0/month

<sup>1</sup>Tariff rate excludes the BP Pulse charging network



# HOME CHARGING WITH BP PULSE Simple, convenient, fast charging.



Mercedes-Benz plug-in vehicle customers with off-street parking can benefit from the convenience and speed of charging at home by installing a home charger. Charge your vehicle with the home charger up to 3x faster than using a standard domestic socket.

## Home charging with bp pulse: £999\* incl. VAT and standard installation

### Key benefits of bp pulse:

bp pulse is one of the only full-service charging solution providers in the UK – producing and installing tens of thousands of their own smart-enabled and reliable Homecharge units across the country.

A comprehensive 3 year warranty.

The standard installation package includes up to 15 m of external cabling.

It comes with a bundled offer of 3 month free subscription to the public network and 250 free miles of charge.

The bp pulse home unit is designed from the ground up to be user friendly, future proofed and feature packed with an exciting roadmap of over the air updates ahead.

The bp pulse public network consists of over 9,000 charging bays across the UK with the best rates on a subscription basis.

Choice of tethered or un-tethered units.

### OZEV Grant:

You may be entitled to claim for an OZEV grant towards the cost of your home charger.<sup>1</sup> To find out whether you are entitled please contact your local Retailer.

### Questions?

Please contact your local Retailer to submit an enquiry to your chosen charging partner on your behalf. To find your local Retailer, please click the button at the top right hand corner.

### Warning!

If you are planning to charge your Mercedes-Benz plug-in electric vehicle using a 3-pin domestic plug socket you must get a qualified electrician to inspect and sign off the socket to confirm it is safe and suitable to charge your vehicle. Do not use an electric vehicle 3-pin charge cable with an extension cord.



\*Price excludes £350 OZEV EVHS Grant. Price correct at time of publication, subject to change  
<sup>1</sup>The home charger £350 Grant (including VAT) is only available to customers who meet the criteria of the Office for Zero Emission Vehicles (OZEV). For full details and eligibility criteria for the OZEV EVHS Grant, see <https://www.gov.uk/government/publications/electric-vehicle-homecharge-scheme-guidance-for-customers-version-21>.

Design	Technology	Plug-in Hybrid	Model lines	Driving experience	Model prices	Personalisation	Standard equipment	Technical data	Additional information
--------	------------	----------------	-------------	--------------------	--------------	-----------------	--------------------	----------------	------------------------

# HOME CHARGING WITH POD POINT Simple, convenient, fast charging.



Mercedes-Benz plug-in vehicle customers with off-street parking can benefit from the convenience and speed of charging at home by installing a home charger. Charge your vehicle with the home charger up to 3x faster than using a standard domestic socket.

## Home charging with Pod Point: £875\* incl. VAT and standard installation

### Key benefits of Pod Point:

Pod Point is one of the leading provider of EV charging in the UK with over 120,000 home chargepoints installed.

A comprehensive 3 year 'swap out' warranty is included.

Auto Power Balancing lets you adjust your charge so that your electrical supply doesn't get overloaded when your home is using a lot of energy.

Built-in earthing protection removes the needs for expensive earth rods.

The Pod Point public network consists of over 6,200 charging bays across the UK with over 80% of the charge points free to use.

The standard installation package includes up to 15m of external cabling.

Choice of tethered or un-tethered units.

### OZEV Grant:

You may be entitled to claim for an OZEV grant towards the cost of your home charger.<sup>1</sup> To find out whether you are entitled please contact your local Retailer.

### Questions?

Please contact your local Retailer to submit an enquiry to your chosen charging partner on your behalf. To find your local Retailer, please click the button at the top right hand corner.

### Warning!

If you are planning to charge your Mercedes-Benz plug-in electric vehicle using a 3-pin domestic plug socket you must get a qualified electrician to inspect and sign off the socket to confirm it is safe and suitable to charge your vehicle. Do not use an electric vehicle 3-pin charge cable with an extension cord.



\*Price excludes £350 OZEV EVHS Grant. Price correct at time of publication, subject to change

<sup>1</sup>The home charger £350 Grant (including VAT) is only available to customers who meet the criteria of the Office for Zero Emission Vehicles (OZEV). For full details and eligibility criteria for the OZEV EVHS Grant, see <https://www.gov.uk/government/publications/electric-vehicle-homecharge-scheme-guidance-for-customers-version-21>.

Design	Technology	Plug-in Hybrid	Model lines	Driving experience	Model prices	Personalisation	Standard equipment	Technical data	Additional information
--------	------------	----------------	-------------	--------------------	--------------	-----------------	--------------------	----------------	------------------------



# AMG HIGH-PERFORMANCE BATTERY Lightweight, durable and compact



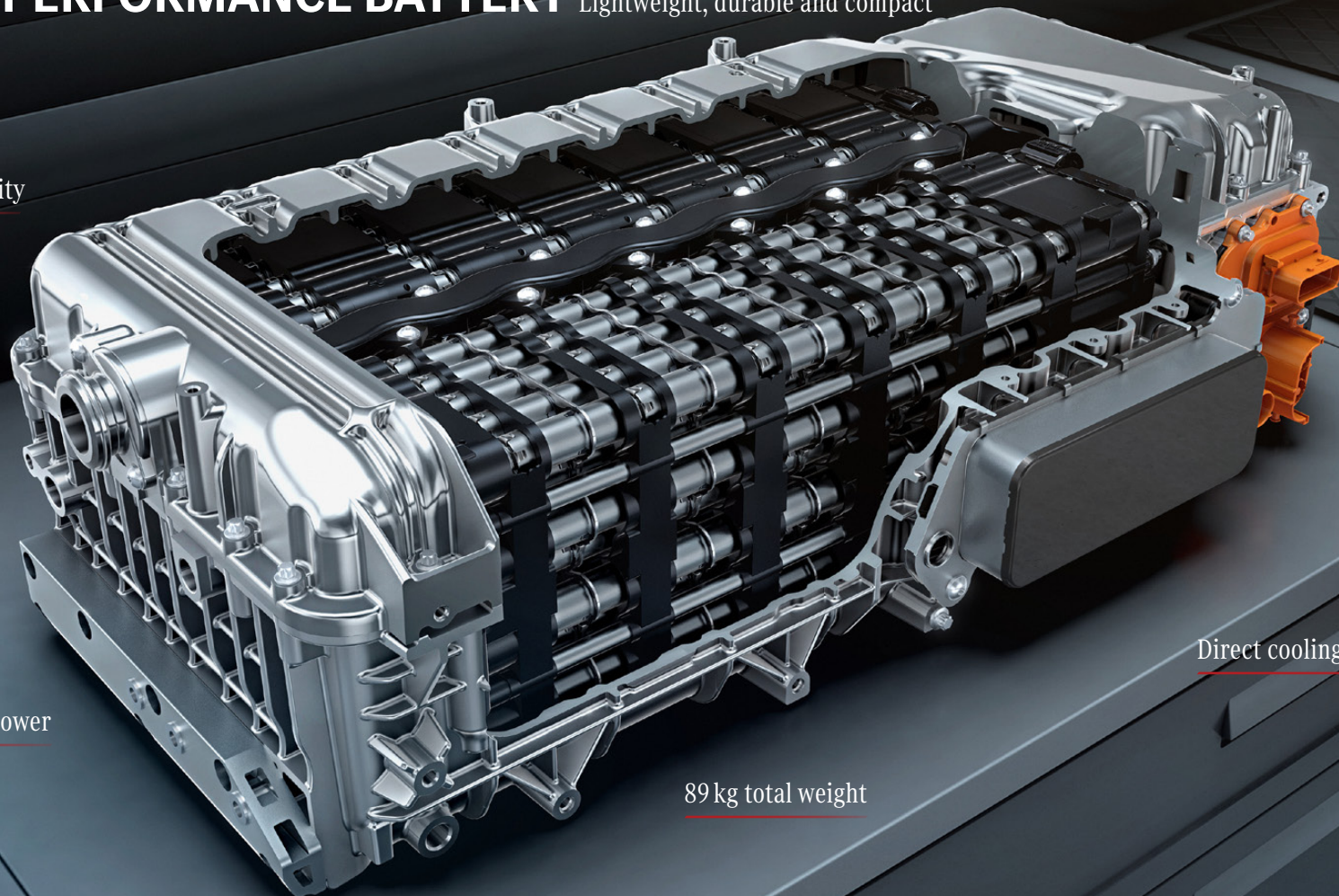
6.0 kWh capacity

150 kW peak power

70 kW continuous power

Direct cooling of battery cells

89 kg total weight



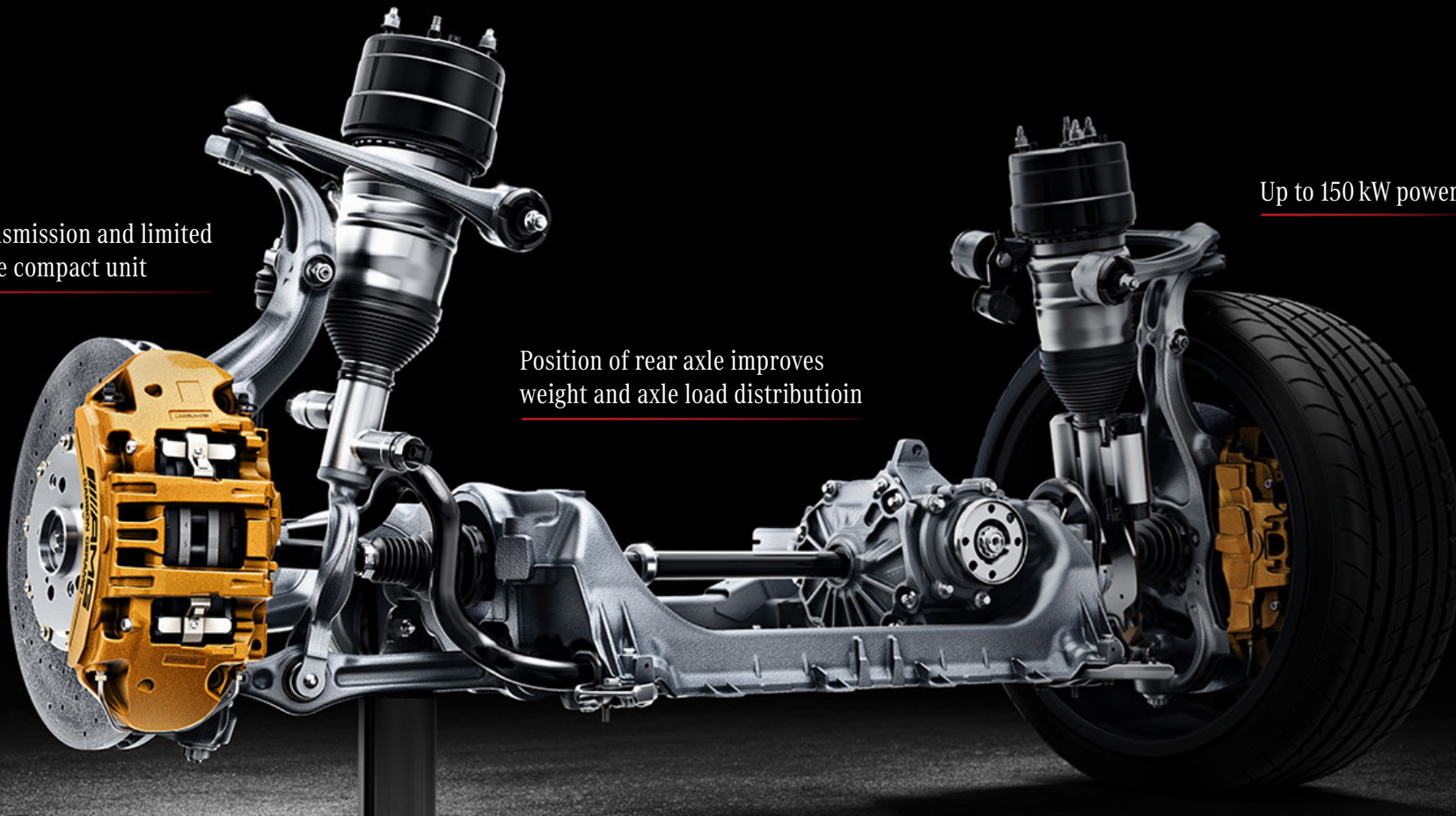
# PERFORMANCE HYBRID ELECTRIC DRIVE UNIT Compact integrated unit on the rear axle



E-motor, 2-speed transmission and limited slip differential in one compact unit

Position of rear axle improves weight and axle load distribution

Up to 150 kW power



Design	Technology	Plug-in Hybrid	Model lines	Driving experience	Model prices	Personalisation	Standard equipment	Technical data	Additional information
--------	------------	----------------	-------------	--------------------	--------------	-----------------	--------------------	----------------	------------------------



# PERFORMANCE HYBRID Benefits of the P3 layout



Optimised weight and axle load distribution  
for top traction and ideal handling

Optimum efficiency  
with recuperation

High efficiency of  
the overall drive



2-speed transmission for very agile  
driving experience and increased comfort

The electric motor acts directly on the  
rear axle and can convert its power more  
directly into propulsion



# PERFORMANCE HYBRID

Outstanding performance for dynamic optimisation



Electric drive unit with electric motor,  
2-speed transmission and rear axle  
limited slip differential

Belt driven  
starter alternator

AMG High-Performance  
Battery

M177 AMG 4.0-litre V8  
BITURBO engine with over  
600 kW system output

AMG SPEEDSHIFT  
MCT transmission



# MERCEDES-AMG GT 63 S Model lines overview



Mercedes-AMG GT 63 S 4MATIC+ Premium Plus »

Mercedes-AMG GT 63 S E Performance »

# MERCEDES-AMG GT 63 S 4MATIC+ PREMIUM PLUS Standard equipment highlights



21" AMG forged wheels - cross-spoke design, painted matt black with a high-sheen rim flange (code RWE)



21" AMG forged wheels - 5-twin-spoke design, painted tantalite grey with a high-sheen finish (code RWI) (no-cost option)

**OTR from £156,175<sup>1</sup>**

## Exterior

- AMG electronic rear-axle limited-slip differential
- AMG Light Display
- AMG Exterior Night package
- AMG Performance exhaust system, switchable
- AMG-specific radiator grille
- Bonnet with power domes
- Brake callipers with 'AMG' lettering painted in yellow
- EASY-PACK tailgate
- Extendible rear spoiler

- Heat-insulating glass for side windows and rear window
- KEYLESS-GO Comfort package
- KEYLESS-GO starting function
- LED tail lights with sequential turn signals
- Mirror package
- MULTIBEAM LED headlamps with Adaptive Highbeam Assist Plus

<sup>1</sup>The recommended on-the-road price includes the Road Fund Licence applicable to the standard model plus delivery charge (£730.00 incl. VAT), new vehicle registration fee (£55.00), fuel (£50.00 incl. VAT), and number plates (£25.00 incl. VAT). VAT is calculated at the standard rate of 20%. Some of the model features, optional extras and colours shown may not be available, or may only be available in a different specification, or at a different price





### Safety and Assistance Systems

- Blind Spot Assist
- Parking package – Active Parking Assist with PARKTRONIC and 360° camera

### Communications and In-Car Entertainment

- Burmester® surround sound system
- Head-up display
- Instrument and media display
- MBUX augmented reality for navigation
- MBUX Interior Assistant
- Smartphone integration<sup>1</sup>

<sup>1</sup>Compatible mobile phone required

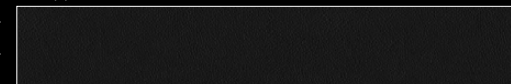


### Trim and Upholstery

AMG carbon fibre



Nappa leather – black



### Interior

- |   |  |   |
|---|--|---|
| 3-seater rear bench                                   | AMG sports seats with embossed AMG emblem in the head restraints | Heated rear seats                             |
| AMG illuminated door sills with 'AMG' lettering       | Active Multicontour Seat package                                 | Heated steering wheel                         |
| AMG instrument cluster                                | Climatised front seats   | Memory package                                |
| AMG Performance steering wheel in DINAMICA microfibre | Floor mats – AMG floor mats with 'AMG' lettering                 | THERMOTRONIC automatic 3-zone climate control |



# MERCEDES-AMG GT 63 S E PERFORMANCE

 Standard equipment highlights

OTR from **£178,705<sup>1</sup>**



In addition to/replacement of Mercedes-AMG GT 63 S 4MATIC+ Premium Plus:

### Engine, Transmission and Suspension

150 kW electric motor for all-electric driving for up to 12 km

Battery with a capacity of 4.8 kWh and high-performance cooling that tolerates high charging and discharging currents

### Exterior

AMG ceramic high-performance composite brake system

'V8 BITURBO' lettering on both front wings with added 'E Performance' logo underneath



21" AMG forged wheels - cross-spoke design, painted matt black with a high-sheen rum flange (code RWE)



21" AMG forged wheels - 5-twin-spoke design, painted tantalite grey with a high-sheen finish (code RWI) (no-cost option)

<sup>1</sup>The recommended on-the-road price includes the Road Fund Licence applicable to the standard model plus delivery charge (£730.00 incl. VAT), new vehicle registration fee (£55.00), fuel (£50.00 incl. VAT), and number plates (£25.00 incl. VAT). VAT is calculated at the standard rate of 20%. Some of the model features, optional extras and colours shown may not be available, or may only be available in a different specification, or at a different price



### Interior

Two individual seats and stowage compartment in the rear

### Trim and Upholstery

AMG carbon fibre



Nappa leather - black



# BECOME THE AMG EXPERT

Unleash a new level of performance.



Step into the world of performance and experience the AMG brand at Mercedes-Benz World – from the powerful sound of the engines to the smell of the leather to the unmistakable design of our vehicles.

Mercedes-Benz World invites all Mercedes-AMG customers to a complimentary adrenaline-packed driving experience. Feel the sensational AMG driving performance, develop your driving skills and even try your hand at power-sliding on the Wet Skid Circle. With expert one-to-one guidance from a Driving Specialist in the passenger seat, experience every inch of our Handling Circuits, Dynamic Straight and low friction surfaces.



[Click here for more information](#)

#### TERMS AND CONDITIONS

The following customers only are eligible: The first purchaser/registered keeper of a newly registered Mercedes-AMG. The complimentary Training must be booked and taken within 12 months of delivery of your Mercedes-AMG, the Training is offered on specific days only and subject to availability. Upgrades are available for an additional cost, details upon request. Transferable to individuals who reside at the same postal address only. Mercedes-Benz Cars UK Limited reserves the right to amend or withdraw this Training experience. Attendees must hold a full UK driving licence. Attendees will be required to sign the Mercedes-Benz World Driving Risk Acknowledgement prior to undertaking the Training experience. The Training experience is also subject to the Mercedes-Benz World Terms and Conditions, as applicable. Invitation is emailed to the customer post-delivery, permission via the customer contact preferences must be given to enable Mercedes-Benz World to contact. Retailer demonstrator vehicles are not eligible.



# MODEL PRICES



Model line	Engine	Transmission	CO <sub>2</sub> WLTP <sup>1*</sup>	Basic RRP excl. VAT (£)	Total RRP incl. VAT (£)	Road Fund Licence (£) <sup>2</sup> WLTP	Rec. OTR price (£) <sup>3</sup> WLTP	P11D value (£)	BiK tax rate 2022/23 (%) <sup>2</sup>
Mercedes-AMG GT 63 S 4MATIC+ Premium Plus	Petrol – 3,982 cc, 8-cylinder, 639 hp/470 kW	AMG SPEEDSHIFT DCT 9-speed sports transmission	303	127,458.33	152,950.00	2,365.00	<b>156,175.00</b>	153,755.00	37
Mercedes-AMG GT 63 S E Performance	Petrol – 3,982 cc, 8-cylinder, 639 hp/470 kW Electric motor – 204 hp/150 kW	AMG SPEEDSHIFT DCT 9-speed sports transmission	180	147,425.00	176,910.00	935.00	<b>178,705.00</b>	177,715.00	37

<sup>1</sup>The indicated values were determined according to the prescribed measurement method - Worldwide Harmonised Light Vehicle Test Procedure (WLTP). Figures shown may include options which are not available in the UK which will depend upon a number of factors including factory-fitted options, accessories fitted (post registration), variations in weather, driving styles and vehicle load. Further information about the test used to establish fuel consumption and CO<sub>2</sub> figures can be found at <http://www.mercedes-benz.co.uk/WLTP> <sup>2</sup>Figures shown are for comparability purposes; only compare with other cars tested to the same technical procedures. Figures may not reflect real life driving results, new cars. Please refer to page 43 for the relevant rate for the second and subsequent years <sup>3</sup>The recommended on-the-road price includes the Road Fund Licence applicable to the standard model plus delivery charge (£730.00 incl. VAT), new vehicle registration fee (£55.00), fuel (£50.00 incl. VAT), and number plates (£25.00 incl. VAT). VAT is calculated at the standard rate of 20%. Some of the model features, optional extras and colours shown may not be available, or may only be available in a different specification, or at a different price

# COLOUR OPTIONS Non-metallic and metallic paints

No-cost option



**149 polar white non-metallic**

Mercedes-AMG GT 63 S 4MATIC+ Premium Plus

Mercedes-AMG GT 63 S E Performance

**Total RRP incl. VAT** -



**197 obsidian black metallic**

Mercedes-AMG GT 63 S 4MATIC+ Premium Plus

Mercedes-AMG GT 63 S E Performance

**Total RRP incl. VAT** -



**922 high-tech silver metallic**

Mercedes-AMG GT 63 S 4MATIC+ Premium Plus

Mercedes-AMG GT 63 S E Performance

**Total RRP incl. VAT** -



**589 jupiter red non-metallic**

Mercedes-AMG GT 63 S 4MATIC+ Premium Plus

Mercedes-AMG GT 63 S E Performance

**Total RRP incl. VAT** -



**831 graphite grey metallic**

Mercedes-AMG GT 63 S 4MATIC+ Premium Plus

Mercedes-AMG GT 63 S E Performance

**Total RRP incl. VAT** -



**970 spectral blue metallic**

Mercedes-AMG GT 63 S 4MATIC+ Premium Plus

Mercedes-AMG GT 63 S E Performance

**Total RRP incl. VAT** -

Please note that, owing to limitations of on-screen representation, paint colours may differ from those shown



# COLOUR OPTIONS MANUFAKTUR paints

Cost option



## 124 MANUFAKTUR classic grey solid

Mercedes-AMG GT 63 S 4MATIC+ Premium Plus

Mercedes-AMG GT 63 S E Performance

**Total RRP incl. VAT**

**£1,700.00**



## 385 MANUFAKTUR Côte d'Azur light blue metallic

Mercedes-AMG GT 63 S 4MATIC+ Premium Plus

Mercedes-AMG GT 63 S E Performance

**Total RRP incl. VAT**

**£1,700.00**



## 685 MANUFAKTUR yellowstone solid

Mercedes-AMG GT 63 S 4MATIC+ Premium Plus

Mercedes-AMG GT 63 S E Performance

**Total RRP incl. VAT**

**£1,700.00**



## 255 MANUFAKTUR olive metallic

Mercedes-AMG GT 63 S 4MATIC+ Premium Plus

Mercedes-AMG GT 63 S E Performance

**Total RRP incl. VAT**

**£1,700.00**



## 660 MANUFAKTUR rubellite red metallic

Mercedes-AMG GT 63 S 4MATIC+ Premium Plus

Mercedes-AMG GT 63 S E Performance

**Total RRP incl. VAT**

**£1,700.00**



## 799 MANUFAKTUR diamond white bright

Mercedes-AMG GT 63 S 4MATIC+ Premium Plus

Mercedes-AMG GT 63 S E Performance

**Total RRP incl. VAT**

**£1,700.00**

Please note that, owing to limitations of on-screen representation, paint colours may differ from those shown

# COLOUR OPTIONS MANUFAKTUR paints

○ Cost option



**934 MANUFAKTUR vintage blue solid**

Mercedes-AMG GT 63 S 4MATIC+ Premium Plus

Mercedes-AMG GT 63 S E Performance

**Total RRP incl. VAT** **£1,700.00**



**297 MANUFAKTUR grey magno**

Mercedes-AMG GT 63 S 4MATIC+ Premium Plus

Mercedes-AMG GT 63 S E Performance

**Total RRP incl. VAT** **£3,125.00**



**658 MANUFAKTUR copper orange magno**

Mercedes-AMG GT 63 S 4MATIC+ Premium Plus

Mercedes-AMG GT 63 S E Performance

**Total RRP incl. VAT** **£3,125.00**



**049 MANUFAKTUR cashmere white magno**

Mercedes-AMG GT 63 S 4MATIC+ Premium Plus

Mercedes-AMG GT 63 S E Performance

**Total RRP incl. VAT** **£3,125.00**



**593 MANUFAKTUR spectral blue magno**

Mercedes-AMG GT 63 S 4MATIC+ Premium Plus

Mercedes-AMG GT 63 S E Performance

**Total RRP incl. VAT** **£3,125.00**



**677 MANUFAKTUR kalahari gold magno**

Mercedes-AMG GT 63 S 4MATIC+ Premium Plus

Mercedes-AMG GT 63 S E Performance

**Total RRP incl. VAT** **£3,125.00**

Please note that, owing to limitations of on-screen representation, paint colours may differ from those shown MANUFAKTUR magno matt paint finishes require extra care. Please refer to the Owner's Manual for instructions



# UPHOLSTERY Exclusive nappa leather

○ Cost option



**501A Exclusive nappa leather<sup>1</sup> – black**  
(seat belts in black, MANUFAKTUR roof lining in black DINAMICA microfibre)

Mercedes-AMG GT 63 S 4MATIC+ Premium Plus	<input type="radio"/>
Mercedes-AMG GT 63 S E Performance	<input type="radio"/>
<b>Total RRP incl. VAT</b>	<b>£3,200.00</b>



**507A Exclusive nappa leather<sup>1</sup> – red pepper/black**  
(seat belts in black, MANUFAKTUR roof lining in black DINAMICA microfibre)

Mercedes-AMG GT 63 S 4MATIC+ Premium Plus	<input type="radio"/>
Mercedes-AMG GT 63 S E Performance	<input type="radio"/>
<b>Total RRP incl. VAT</b>	<b>£3,200.00</b>



**528A Exclusive nappa leather<sup>1</sup> – titanium grey pearl/black**  
(seat belts in black, MANUFAKTUR roof lining in black DINAMICA microfibre)

Mercedes-AMG GT 63 S 4MATIC+ Premium Plus	<input type="radio"/>
Mercedes-AMG GT 63 S E Performance	<input type="radio"/>
<b>Total RRP incl. VAT</b>	<b>£3,200.00</b>

<sup>1</sup>100% of seat upholstery is pure leather

# UPHOLSTERY Exclusive nappa leather

Cost option     Not available



**554A Exclusive nappa STYLE leather<sup>1</sup> – saddle brown/black**  
(seat belts in black, MANUFAKTUR roof lining in black DINAMICA microfibre)

Mercedes-AMG GT 63 S 4MATIC+ Premium Plus

Mercedes-AMG GT 63 S E Performance

**Total RRP incl. VAT** **£3,200.00**



**565A Exclusive nappa leather<sup>1</sup> – macchiato beige/magma grey**  
(seat belts in macchiato beige, MANUFAKTUR roof lining in macchiato beige DINAMICA microfibre)

Mercedes-AMG GT 63 S 4MATIC+ Premium Plus

Mercedes-AMG GT 63 S E Performance

**Total RRP incl. VAT** **£3,200.00**

<sup>1</sup>100% of seat upholstery is pure leather

Design	Technology	Plug-in Hybrid	Model lines	Driving experience	Model prices	Personalisation	Standard equipment	Technical data	Additional information
--------	------------	----------------	-------------	--------------------	--------------	-----------------	--------------------	----------------	------------------------



# UPHOLSTERY Exclusive MANUFAKTUR nappa leather

○ Cost option    – Not available



**952A Exclusive MANUFAKTUR nappa leather – yacht blue/black**  
(seat belts in black, MANUFAKTUR roof lining in black DINAMICA microfibre)

Mercedes-AMG GT 63 S 4MATIC+ Premium Plus	○
Mercedes-AMG GT 63 S E Performance	–
<b>Total RRP incl. VAT</b>	<b>£5,550.00</b>



**954A Exclusive MANUFAKTUR nappa leather – sienna brown/black**  
(seat belts in black, MANUFAKTUR roof lining in black DINAMICA microfibre)

Mercedes-AMG GT 63 S 4MATIC+ Premium Plus	○
Mercedes-AMG GT 63 S E Performance	–
<b>Total RRP incl. VAT</b>	<b>£5,550.00</b>



**957A Exclusive MANUFAKTUR nappa leather – classic red/black**  
(seat belts in black, MANUFAKTUR roof lining in black DINAMICA microfibre)

Mercedes-AMG GT 63 S 4MATIC+ Premium Plus	○
Mercedes-AMG GT 63 S E Performance	–
<b>Total RRP incl. VAT</b>	<b>£5,550.00</b>

<sup>1</sup>100% of seat upholstery is pure leather

# UPHOLSTERY

 Exclusive MANUFAKTUR nappa leather

Cost option     Not available



**958A Exclusive MANUFAKTUR nappa leather – neva grey/black**  
(seat belts in black, MANUFAKTUR roof lining in black DINAMICA microfibre)

Mercedes-AMG GT 63 S 4MATIC+ Premium Plus

Mercedes-AMG GT 63 S E Performance

**Total RRP incl. VAT**

**£5,550.00**



**959A Exclusive MANUFAKTUR nappa leather – deep white/black**  
(seat belts in black, MANUFAKTUR roof lining in black DINAMICA microfibre)

Mercedes-AMG GT 63 S 4MATIC+ Premium Plus

Mercedes-AMG GT 63 S E Performance

**Total RRP incl. VAT**

**£5,550.00**

<sup>1</sup>100% of seat upholstery is pure leather

Design	Technology	Plug-in Hybrid	Model lines	Driving experience	Model prices	Personalisation	Standard equipment	Technical data	Additional information
--------	------------	----------------	-------------	--------------------	--------------	-----------------	--------------------	----------------	------------------------



# AMG AERODYNAMICS PACKAGE

With the AMG Aerodynamics package, our technicians have managed to reconcile two effects which are to all intents and purposes mutually contradictory: the complex aerodynamic elements reduce drag, while at the same time increasing negative lift force. This intelligent combination of additional flics, modified front and rear apron and a fixed rear aerofoil is a masterpiece of aerodynamics.



## AMG Aerodynamics package (code B26)

Deflector elements at the side air outlets of the rear wings

Extensively optimised front apron with larger front splitter and additional air deflector elements at the air intakes and the front wheel arches

Fixed rear aerofoil in high-gloss black

Further optimised diffuser, integrated in the rear apron

**Total incl. VAT £3,000.00**



# DRIVING ASSISTANCE PACKAGE PLUS

The Driving Assistance package Plus<sup>1</sup> contains a range of highly intelligent features to help you stay safe on the road – by making the drive more effortless, by warning of danger, and by taking steps to protect you in an emergency.

## Driving Assistance package Plus<sup>1</sup> (code P20)

Active Blind Spot Assist

Active Brake Assist & Active Stop-and-Go Assist

Active Distance Assist DISTRONIC

Active Lane Keeping Assist

Active Steering Assist

Evasive Steering Assist

PRE-SAFE<sup>®</sup> PLUS & PRE-SAFE<sup>®</sup> Impulse Side

**Total incl. VAT £2,100.00**

<sup>1</sup>Our driver assistance and safety systems are aids and do not relieve you of your responsibility as the driver. Please take note of the information in the Owner's Manual and the system limits which are described therein



[Book a test drive](#)[Find your Mercedes-AMG GT](#)[Find a Retailer](#)

# STANDARD EQUIPMENT

- Standard
- No-cost option
- Not available

## Engine, Transmission and Suspension

	AMG GT 63S E Performance	AMG GT 63S Premium Plus
150 kW electric motor for all-electric driving for up to 12 km	–	●
AMG electronic rear-axle limited-slip differential	●	–
AMG RIDE CONTROL+	●	●
AMG speed-sensitive steering, 3-stage	●	●
AMG SPEEDSHIFT MCT 9-speed sport automatic transmission	●	●
Battery with a capacity of 4.8 kWh and high-performance cooling that tolerates high charging and discharging currents	–	●
Driving modes – AMG DYNAMIC PLUS package including dynamic AMG engine mounts 'RACE' drive program incl. Drift Mode and AMG Performance steering wheel with AMG steering wheel buttons	●	●
Driving modes – AMG DYNAMIC SELECT with the drive programs 'Slippery', 'Comfort', 'Sport', 'Sport+', 'RACE' including 'Drift' mode and 'Individual'	●	●
Cruise control with SPEEDTRONIC variable speed limiter	●	●
ECO start/stop function	●	●
Fuel tank – 80 l	●	●

## Exterior

	AMG GT 63S E Performance	AMG GT 63S Premium Plus
AMG ceramic high-performance composite brake system	–	●
AMG Exterior Night package – elements in high-gloss black: exterior mirror housing, front splitter, heat-insulating dark-tinted glass from B-pillar, inserts in side sill panels, shoulder line trim strip and window weather-strips, trim element in the front wings, trim strip in the front apron, trim strip in the rear apron, twin tailpipe trim elements of the AMG exhaust system in black chrome-plated finish	●	●
AMG Light Display – the projector fitted in the side skirts casts 'AMG' lettering onto the asphalt	●	●
AMG Performance exhaust system, switchable	●	●
AMG-specific radiator grille	●	●
Bonnet with power domes	●	●

	AMG GT 63S E Performance	AMG GT 63S Premium Plus
Brake callipers with 'AMG' lettering painted in yellow	●	–
Extendible rear spoiler	●	●
Heat-insulating glass for side windows and rear window (single-layer safety glass) as well as windscreen (laminated safety glass)	●	●
KEYLESS-GO Comfort package – door handles with chrome inserts, EASY-PACK tailgate, handle recess illumination, hands-free access	●	●
KEYLESS-GO starting function – engine start at the push of a button	●	●
LED tail lights with sequential turn signals	●	●
Lights – LED tail lights with sequential turn signals	●	●
Lights – MULTIBEAM LED headlights with Adaptive Highbeam Assist Plus	●	●
Mirror – electrically adjustable exterior mirrors, automatic dimming (exterior driver's side and interior) mirrors	●	●
Model designation on the front wings and boot lid	●	●
Panoramic sunroof	●	●
Privacy glass	●	●
Rear apron in the vehicle colour, lower part with diffuser in high-gloss black	●	●
'V8 BITURBO' lettering on both front wings with added 'E Performance' logo underneath	–	●
Windscreen wipers with rain sensor	●	●

## Wheels

	AMG GT 63S E Performance	AMG GT 63S Premium Plus
21" AMG forged wheels – 5-twin-spoke design, painted tantalite grey with a high-sheen finish, 275/35 ZR 21 tyres (front) and 315/30 ZR 21 tyres (rear) (RW1)	□	□
21" AMG forged wheels – cross-spoke design, painted matt black with a high-sheen rim flange, 275/35 ZR21 tyres (front) and 315/30 ZR21 tyres (rear) (RWE)	●	●
Tyres – summer tyres	●	●

Design	Technology	Plug-in Hybrid	Model lines	Driving experience	Model prices	Personalisation	Standard equipment	Technical data	Additional information
--------	------------	----------------	-------------	--------------------	--------------	-----------------	--------------------	----------------	------------------------

[Book a test drive](#)[Find your Mercedes-AMG GT](#)[Find a Retailer](#)

# STANDARD EQUIPMENT

● Standard – Not available

## Interior

	AMG GT 63 S Performance	AMG GT 63 S Premium Plus
Active Multicontour Seat package	●	●
AIR-BALANCE package – fragrance generator with filled fragrance flask and function cap in the glove compartment, oxygen ioniser in the side air duct, improved filter system between the air conditioner's intake and air distribution	●	●
Ambient lighting – choice of 64 colour settings with 10 colour schemes and 2 effects	●	●
AMG drive unit in a V8 style with 8 high-resolution display switches, gear selector lever with embossed AMG emblem	●	●
AMG illuminated door sills with 'AMG' lettering and with exchangeable cover	●	●
AMG instrument cluster including AMG main menu with RACE TIMER, analogue round dials with 220 mph scale and 'Super sport' display style	●	●
Electric windows (4) with PRE-SAFE® closing function	●	●
ENERGIZING package	●	●
Floor mats – AMG floor mats with 'AMG' lettering	●	●
Glasses stowage compartment	●	●
Glove compartment – lockable, air-conditioned and illuminated	●	●
Memory package – four-way lumbar support for driver and front passenger, automatic dimming for interior and exterior mirrors, fore-and-aft seat position and head restraint height also electrically adjustable, front seats, position of steering column and exterior mirrors electrically adjustable and storable, PRE-SAFE® positioning function for front-passenger seat, seat cushion length adjustment with gapless cushion	●	●
Parking package – Active Parking Assist with PARKTRONIC and 360° camera	●	●
Pull out sun visors with vanity mirror, illuminated and pivotable to the side window	●	●

	AMG GT 63 S Performance	AMG GT 63 S Premium Plus
Seats – AMG sports seats with embossed AMG emblem in the head restraints and bezel in silver chrome with 'AMG' lettering	●	●
Seats – climatized front seats	●	●
Seats – heated rear	●	●
Seats – Seat Heating Plus for driver and front passenger seats	●	●
Seats – 3-seater rear bench	●	–
Seats – two individual seats and stowage compartment in the rear	–	●
Steering wheel – AMG Performance steering wheel in DINAMICA microfibre with 12 o'clock marking and AMG steering wheel buttons	●	●
Steering wheel – heated	●	●
Stowage compartment in the front with 12 V socket and armrest with compartment incl. 2 USB ports and SD card slot	●	●
Stowage Space package	●	●
THERMOTRONIC automatic 3-zone climate control	●	●
Widescreen cockpit	●	●

## Paint, Trim and Upholstery

Paint – metallic	●	●
Roof liner – fabric black	●	●
Trim – AMG carbon fibre	●	●
Upholstery – nappa leather black	●	●



# STANDARD EQUIPMENT

● Standard – Not available

## Security and Safety

	AMG GT 63 S Performance	AMG GT 63 S Premium Plus		AMG GT 63 S Performance	AMG GT 63 S Premium Plus
Active Brake Assist <sup>1</sup>	●	●	First-aid kit	●	●
Active Lane Keeping Assist <sup>1</sup>	●	●	Front passenger seat with seat occupancy sensor (WSS)	●	●
Airbags – driver and front passenger	●	●	GUARD 360° vehicle protection Plus	●	●
Airbags – knee bag for driver	●	●	Mercedes-Benz emergency call system	●	●
Airbags – side bags for driver and front passenger (combined thorax/pelvis bag)	●	●	Pedestrian protection	●	●
Airbags – window bags	●	●	PRE-SAFE® system	●	●
Alarm system with immobiliser and interior protection	●	●	Remote central locking	●	●
AMG 3-stage Electronic Stability Programme (ESP)	●	●	Seat belt pre-tensioners, belt force limiters and automatic belt height adjustment – front and outer rear seats	●	●
Anti-lock braking system (ABS) with Brake Assist (BAS)	●	●	Seat belts, black (4)	●	●
ATTENTION ASSIST – monitors steering behaviour and can help alert to long journey fatigue	●	●	Seat belts, rear – three-point (2)	●	●
Automatic child seat recognition sensor – works in conjunction with Mercedes-Benz child seats fitted with transponder	●	●	Speed Limit Assist	●	●
Automatic front passenger airbag deactivation	●	●	Status display for rear seat belts in instrument cluster	●	●
Blind Spot Assist	●	●	Traffic Sign Assist	●	●
Brake pad wear indicator – front brakes	●	●	Tyres – TIREFIT with tyre inflation compressor	●	●
Electric parking brake	●	●	Tyres – tyre pressure monitoring system	●	●
Electronic Stability Programme (ESP®) with Acceleration Skid Control (ASR)	●	●	Warning triangle	●	●

<sup>1</sup>Our driver assistance and safety systems are aids and do not relieve you of your responsibility as the driver. Please take note of the information in the Owner's Manual and the system limits which are described therein

# STANDARD EQUIPMENT

● Standard    – Not available

AMG GT 63 S E-Performance  
 AMG GT 63 S Premium Plus

## Communications and In-Car Entertainment

AMG Track Pace – transform your AMG vehicle into your virtual race engineer. With the aid of lap, sector and acceleration times plus selected live telemetry data you can specifically analyse and improve your driving skills on cordoned-off tracks	●	●
Augmented navigation	●	●
Burmester® surround sound system – 14 high-performance speakers, 10-channel DSP amplifier with a total output of 640 watts (8 x 50 watts and 2 x 120 watts), frontbass technology with subwoofers integrated into the body shell, vehicle noise compensation (VNC), sound preset: surround function to generate virtual surround sound, sound optimisation for the front and rear seats, supports multi-channel formats for true surround sound	●	●
GPS aerial	●	●
Head-up display	●	●
Mercedes me connect (standard services)	●	●
MBUX multimedia system	●	●
Pre-installtion for car sharing	●	●
Remote Services Premium	●	●
Smartphone integration <sup>1</sup> including Apple CarPlay® and Android Auto™	●	●
Touchpad - integrated into the centre console with clear haptic feedback	●	●
Wireless charging system (front) for mobile devices <sup>1</sup> – charges mobile phones which support the Qi standard wirelessly on a charging surface, Near Field Communication (NFC) for quickly connecting to mobile phone	●	●

<sup>1</sup>Compatible mobile phone required. Please check [www.mercedes-benz-mobile.com](http://www.mercedes-benz-mobile.com) for details or contact your local Mercedes-Benz Retailer for further information

# TECHNICAL DATA

- Standard

Model	Mercedes-AMG GT 63 S 4MATIC+		Mercedes-AMG GT 63 S E Performance	
<b>Engine</b>				
Total displacement	cc	3,982		3,982
Arrangement/cylinders/valves		V/8/32		V/8/32
Electric motor type		-		AMG High-Performance Battery
Battery capacity	kWh	-		6.0
Power <sup>1</sup>	hp (kW) at rpm			
Combustion engine		639 (470)/6,500		639 (470)/6,500
Electric motor		-		204 (150)/500-4,500
System output		-		843 (620)
Torque <sup>1</sup>	Nm at rpm			
Combustion engine		900/2,500-4,500		900/2,500-4,500
Electric motor		-		300
Compression ratio		8.6:1		8.6:1
Electric range - WLTP <sup>2</sup>	miles	-		8
Range power consumption combined <sup>2,3</sup>	Wh/km	-		120
Charging time				
Home wallbox (1.8 kW AC) 10-100% <sup>4</sup>		-		2 hrs 45 mins
Wallbox (3.7 kW AC) 10-100% <sup>4</sup>		-		1 hr 45 mins
Emissions standard		Euro 6d-ISC-FCM		Euro 6d-ISC-FCM
<b>Transmission</b>				
AMG SPEEDSHIFT DCT 9-speed sports automatic transmission		●		●

<sup>1</sup>Figures according to Directive 80/1269/EEC in the currently applicable version    <sup>2</sup>The indicated values were determined according to the prescribed measurement method - Worldwide Harmonised Light Vehicle Test Procedure (WLTP). Figures shown may include options which are not available in the UK. For Plug-in Hybrid Electric Vehicle (PHEV) figures determined with the battery fully charged, using a combination of both battery power and fuel. These models require mains electricity for charging    <sup>3</sup>The certified electrical consumption is generally determined at maximum AC charging capacity using a Mode 3 cable. It is therefore recommended that vehicles with a HV battery preferably be charged at a wallbox or an AC charging station with a Mode 3 cable in order to achieve shorter charging times and improved charging efficiency    <sup>4</sup>Specified voltage and current values refer to network infrastructure and can be limited by the vehicle. Times are from 10-100% charge using a wallbox (three-phase) or standard socket (single-phase)



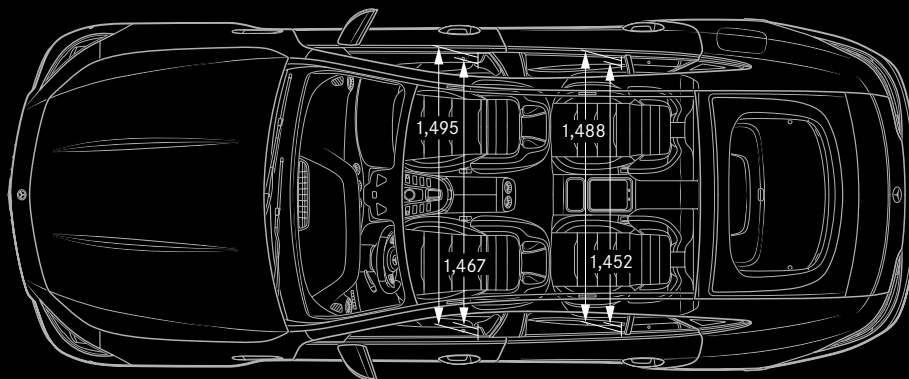
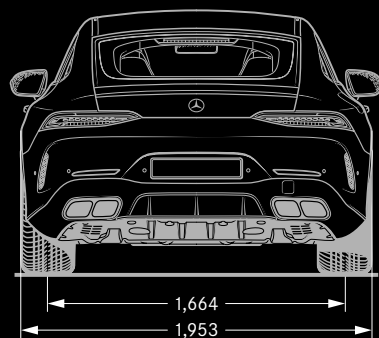
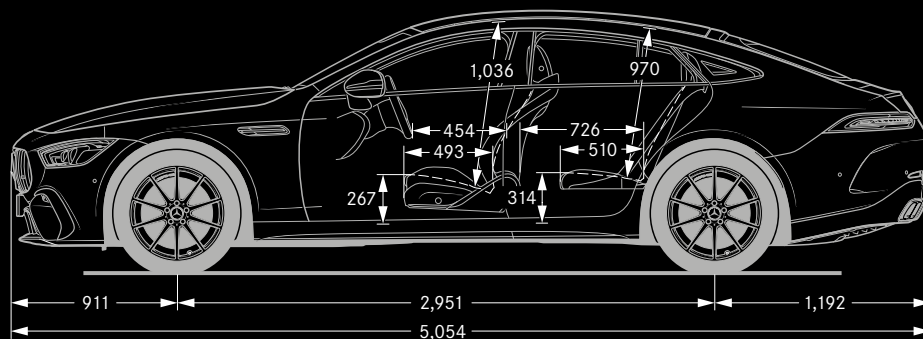
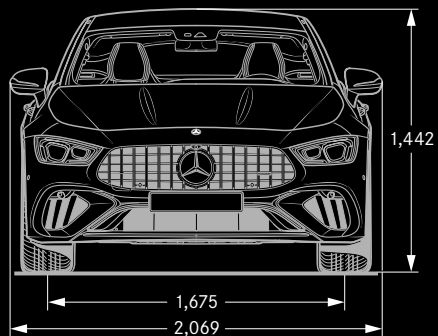
# TECHNICAL DATA

Model		Mercedes-AMG GT 63 S 4MATIC+	Mercedes-AMG GT 63 S E Performance
<b>Performance</b>			
Acceleration 0–62 mph	sec	3.2	2.9
Top speed (electric mode)	mph	196	196
<b>Weights and capacities</b>			
Kerb weight <sup>5</sup>	kg	2,280	2,569
Perm. Gross Vehicle Weight	kg	2,560	2,760
Boot capacity	l	461	335
Fuel tank capacity/of which reserve	l	66/10	73/12
Turning circle	m	12.2	12.2
<b>Fuel consumption<sup>6,7,8</sup></b>			
Combined (consumption dependent on chosen optional equipment)	l/100 km	13.4	7.9
	mpg	21.1	35.8
<b>Insurance</b>			
Group rating		50E	50E

Insurance ratings may vary depending on model line and specification. Please refer to <http://www.thatcham.org/abigrouprating/> for further details

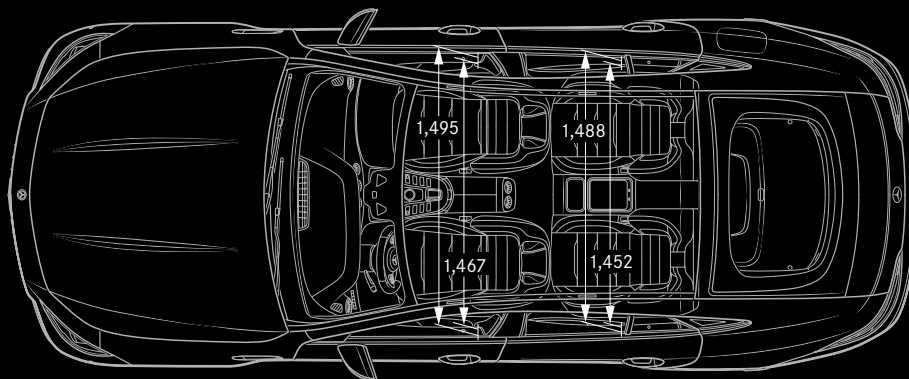
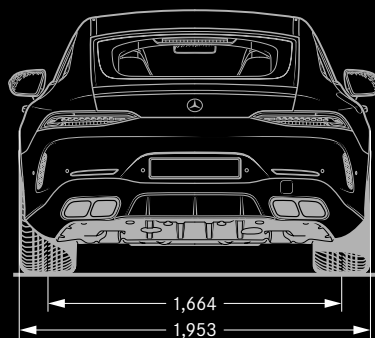
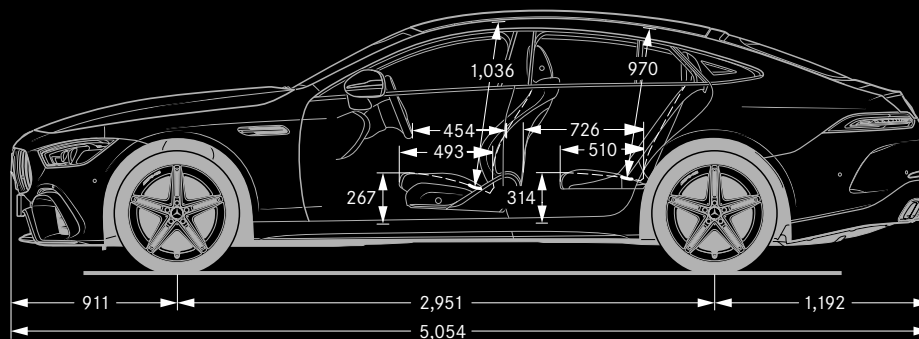
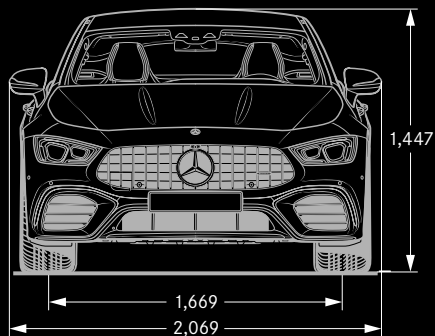
<sup>5</sup>Mass of the vehicle in running order with at least 90% full fuel tank, plus the mass of the driver (estimated by law at 75 kg), fuel and fluids, equipped with the standard equipment as specified by the manufacturer as well as, where applicable, the mass of the body, cab, trailer coupling and spare wheel(s) as well as tools. Optional extras, additional equipment and accessories can influence the weight, residual payload, rolling resistance, aerodynamics, etc., and therefore also affect the consumption/CO<sub>2</sub> values <sup>6</sup>All figures are based on a standard specification with the smallest tyre size <sup>7</sup>The choice of wheels and transmission may affect CO<sub>2</sub> emissions and corresponding Road Fund Licence <sup>8</sup>The indicated values were determined according to the prescribed measurement method - Worldwide Harmonised Light Vehicle Test Procedure (WLTP). Figures shown may include options which are not available in the UK

## Mercedes-AMG GT 63 S 4MATIC+



All measurements in millimetres. The dimensions shown are mean values and apply to standard-specification, unladen vehicles

## Mercedes-AMG GT 63 S E Performance



All measurements in millimetres. The dimensions shown are mean values and apply to standard-specification, unladen vehicles

Design	Technology	Plug-in Hybrid	Model lines	Driving experience	Model prices	Personalisation	Standard equipment	Technical data	Additional information
--------	------------	----------------	-------------	--------------------	--------------	-----------------	--------------------	----------------	------------------------



# ROAD FUND LICENCE

All road vehicle registrations are subject to Vehicle Excise Duty (Road Fund Licence), which varies in accordance with the vehicle's CO<sub>2</sub> emissions. A first year rate for each taxation band will apply. The table below shows the bands (A-M) created by the DVLA and the corresponding Road Fund Licence. CO<sub>2</sub> emissions and the relevant Excise Duty are shown on the model pricing pages.

Band	CO <sub>2</sub> emissions (g/km)	First year rate petrol and RDE2 diesel (£)	First year rate all other diesel (£) <sup>1</sup>	First year rate alternative fuel (£)	Electric vehicles		Alternative fuel vehicles		Petrol/diesel vehicles	
					Standard rate (£)	Premium rate (£) <sup>2</sup>	Standard rate (£)	Premium rate (£) <sup>2</sup>	Standard rate (£)	Premium rate (£) <sup>2</sup>
A	0	0.00	0.00	0.00	0.00	0.00	0.00	0.00	0.00	0.00
B	1 to 50	10.00	25.00	0.00	0.00	0.00	155.00	510.00	165.00	520.00
C	51 to 75	25.00	120.00	15.00	0.00	0.00	155.00	510.00	165.00	520.00
D	76 to 90	120.00	150.00	110.00	0.00	0.00	155.00	510.00	165.00	520.00
E	91 to 100	150.00	170.00	140.00	0.00	0.00	155.00	510.00	165.00	520.00
F	101 to 110	170.00	190.00	160.00	0.00	0.00	155.00	510.00	165.00	520.00
G	111 to 130	190.00	230.00	180.00	0.00	0.00	155.00	510.00	165.00	520.00
H	131 to 150	230.00	585.00	220.00	0.00	0.00	155.00	510.00	165.00	520.00
I	151 to 170	585.00	945.00	575.00	0.00	0.00	155.00	510.00	165.00	520.00
J	171 to 190	945.00	1,420.00	935.00	0.00	0.00	155.00	510.00	165.00	520.00
K	191 to 225	1,420.00	2,015.00	1,410.00	0.00	0.00	155.00	510.00	165.00	520.00
L	226 to 255	2,015.00	2,365.00	2,005.00	0.00	0.00	155.00	510.00	165.00	520.00
M	over 255	2,365.00	2,365.00	2,355.00	0.00	0.00	155.00	510.00	165.00	520.00



Some of the model features, optional extras and colours shown may not be available, or may only be available in a different specification, or at a different price

<sup>1</sup>Applies to all Mercedes-Benz diesel models which do not comply with RDE (Real Driving Emissions) Step 2 Certified (Euro 6d)

<sup>2</sup>Premium rate only applicable to vehicles where the list price is over £40,000 including any factory-fitted options, standard UK delivery charge and VAT

# SERVICES AND INSURANCE

## Mercedes-Benz ServiceCare

We believe that servicing costs should be as flexible and affordable as possible for your Mercedes-AMG GT, which is why we offer ServiceCare, an easy way to budget for all your servicing costs. It spreads your bills into manageable payments based on whether you have a new or used Mercedes-Benz.

With ServiceCare we guarantee the price of parts and labour for up to four services and safeguard against any further inflation. It also covers the cost of all recommended service items including brake fluid, spark plugs, air filters, fuel filters and screen wash.

You can choose either to add your servicing costs into your monthly spend or pay the full amount in a one-off payment, giving you peace of mind that they are taken care of for the period of the plan.

[Click here for more information](#)

## Warranty and breakdown cover

Every Mercedes-Benz comes with a three-year unlimited mileage warranty against manufacturing or material defects<sup>1</sup> and up to 30 years warranty against perforation due to corrosion from the inside out.<sup>2</sup> What's more, it's also covered by Mercedes-Benz Roadside Assistance – a unique package comprising up to 30 years pan-European breakdown assistance.<sup>2</sup>



## Motor Insurance

Superb cover comes as standard. When reviewed by an independent research company, Defaqto, Mercedes-Benz Motor Insurance received a five-star rating, the highest rating available. We design our Motor Insurance specifically for Mercedes-Benz drivers.

[Get a quote](#)

<sup>1</sup>Applies to vehicles sold by Mercedes-Benz in the UK to its franchised Retailers

<sup>2</sup>Subject to full Terms and Conditions, dependent on date of registration, available upon request

Mercedes-Benz Motor Insurance is underwritten by Aviva Insurance UK Limited. Credit provided, subject to status, by Mercedes-Benz Financial Services UK Ltd, MK15 8BA



Effective from December 2022 Production. Information correct at time of publication 25.10.2022.  
Prices and specifications are subject to change without prior notice.  
MBX290/1122 MY803.5

